

# Service part catalogue

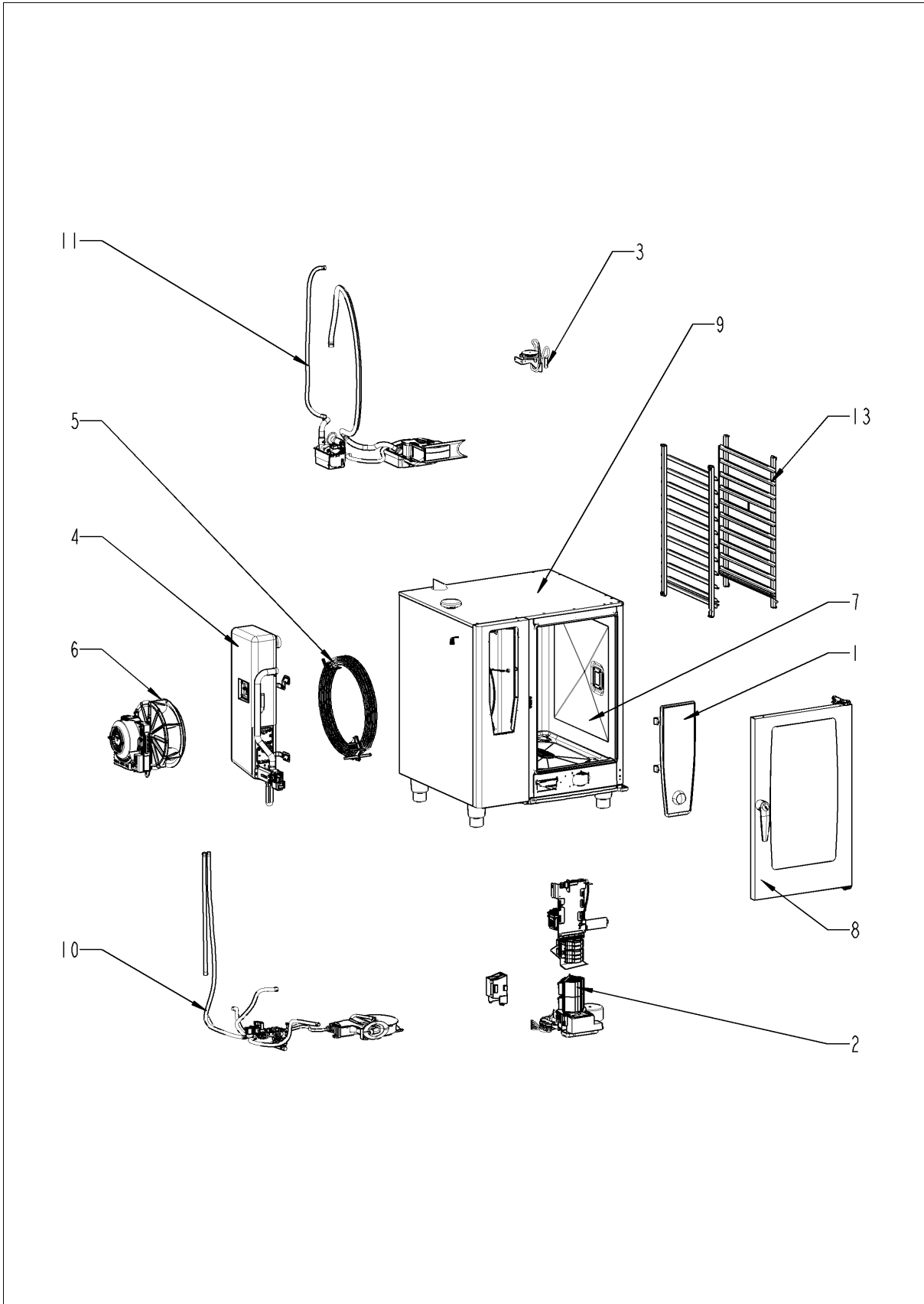
SelfCookingCenter® whiteefficiency®

SelfCooking Center 101 - 10 x 1/1 GastronormE

E11SH1111



SelfCookingCenter® whiteefficiency®

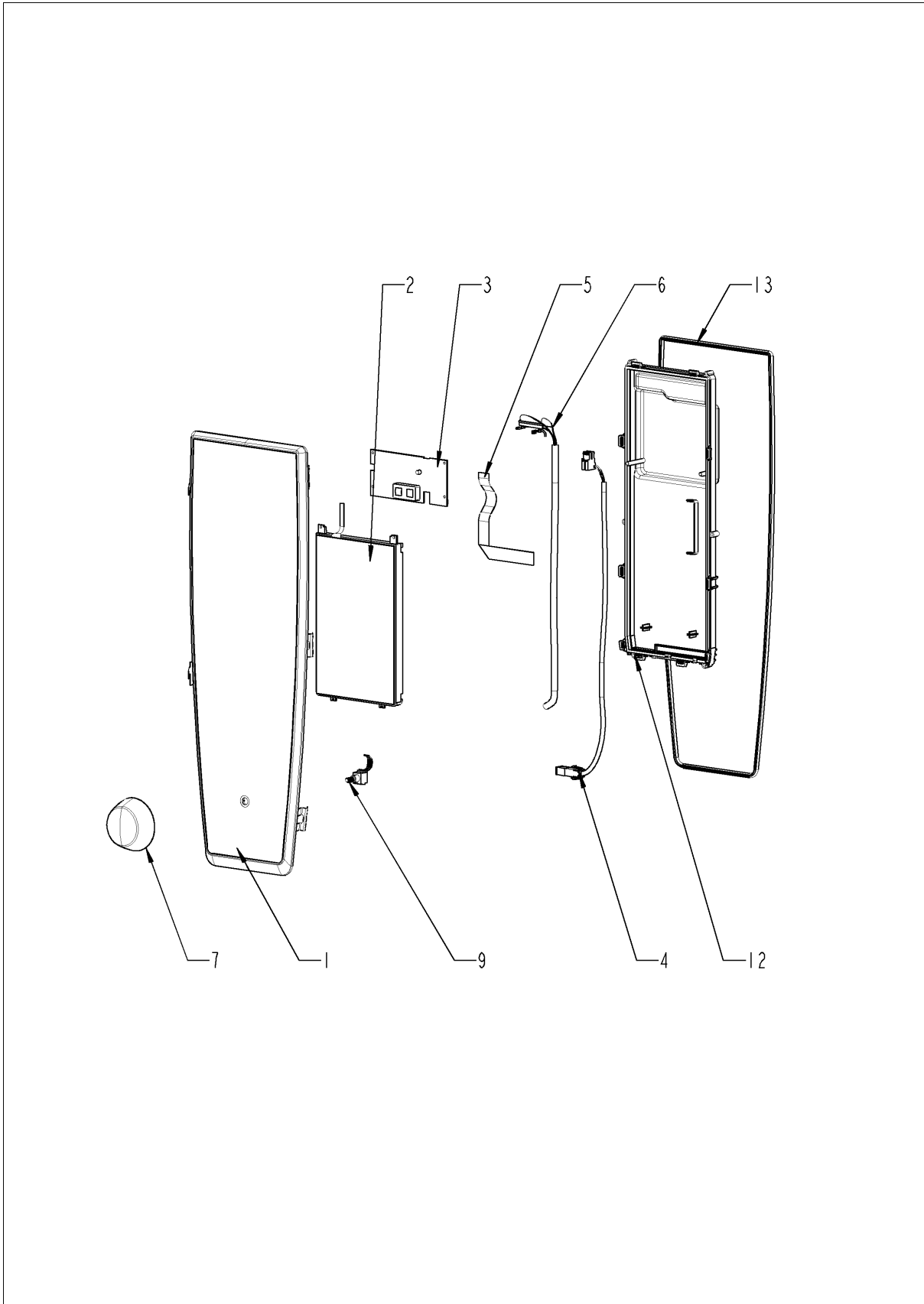


---

**SelfCookingCenter® whiteefficiency®**

| <b>Pos.</b> | <b>Part No.</b> | <b>Description</b>      | <b>Qty.</b> |
|-------------|-----------------|-------------------------|-------------|
| 1           |                 | Control panel           | 1           |
| 2           |                 | Electrical installation | 1           |
| 3           |                 | ClimaPlus               | 1           |
| 4           |                 | Steam generator         | 1           |
| 5           |                 | Hot air heating         | 1           |
| 6           |                 | Motor and fan wheel     | 1           |
| 7           |                 | Interior cabinet        | 1           |
| 8           |                 | Door                    | 1           |
| 9           |                 | Exterior cabinet        | 1           |
| 10          |                 | Water                   | 1           |
| 11          |                 | CleanJet + Care         | 1           |
| 13          |                 | Standard accessory      | 1           |

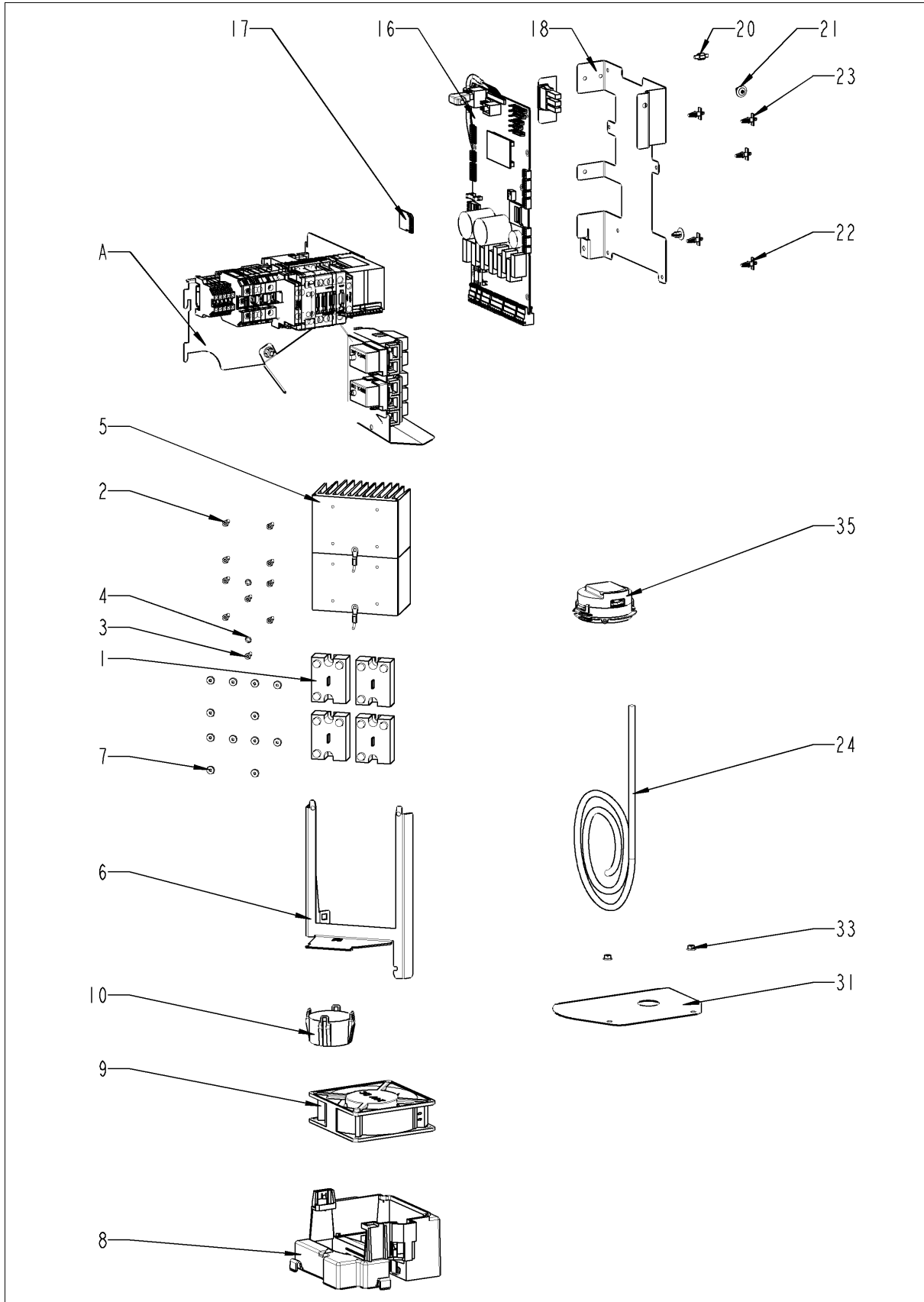
## Control panel



## Control panel

| Pos. | Part No.  | Description                             | Qty. |
|------|-----------|---|------|
| 1    | 87.01.005 | Control panel insert with overlay *RAT* | 1    |
| 2    | 42.00.112 | Control pcb *TFT*                       | 1    |
| 3    | 42.00.081 | MMI pcb                                 | 1    |
| 4    | 40.03.467 | Cable On-Off switch MMI                 | 1    |
| 5    | 40.03.515 | Cable MMI - TFT                         | 1    |
| 6    | 40.03.516 | Cable MMI - CPU                         | 1    |
| 7    | 16.02.062 | Dial f. pulse generator                 | 1    |
| 9    | 40.00.404 | Pulse generator                         | 1    |
| 12   | 16.01.910 | Cover f. control pcb w. gasket          | 1    |
| 13   | 16.01.908 | Sealing f. panel insert                 | 1    |

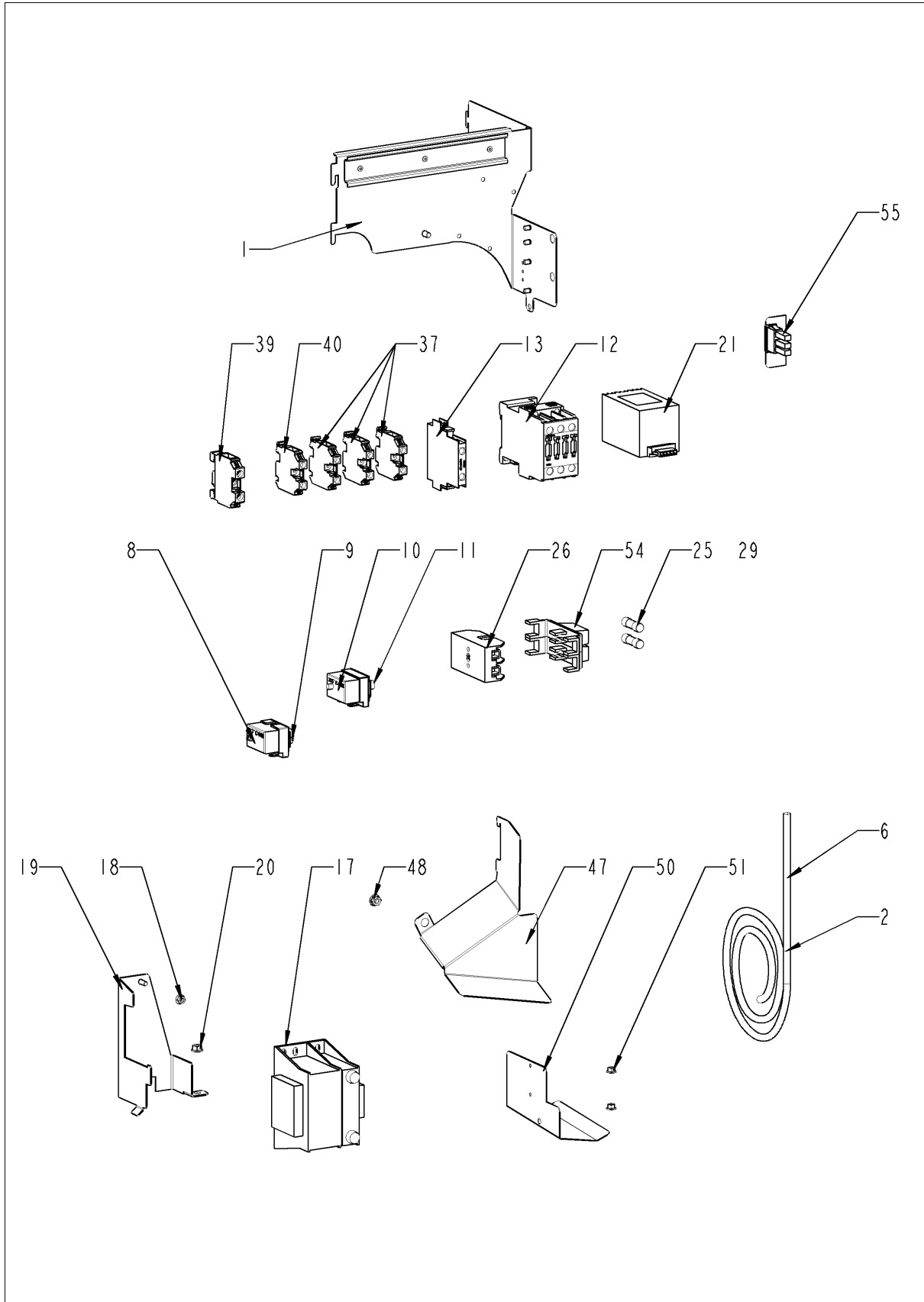
## Electrical installation



## Electrical installation

| Pos. | Part No.  | Description                   | Qty. |
|------|-----------|-------------------------------|------|
| 1    | 40.00.453 | Solid state relais            | 3    |
| 2    | 10.00.061 | Pan head screw Torx T20 M4x12 | 6    |
| 3    | 10.00.061 | Pan head screw Torx T20 M4x12 | 2    |
| 4    | 1204.0120 | Tooth lock washer A4,3        | 2    |
| 5    | 40.03.932 | Heat sink big 2 SSR           | 2    |
| 6    | 40.03.371 | Mounting device heat sink SSR | 1    |
| 7    | 10.00.507 | Pan head screw Torx 5/16" T20 | 9    |
| 8    | 40.03.373 | Fan housing *UL*              | 1    |
| 9    | 40.03.428 | Cooling fan                   | 1    |
| 10   | 40.03.257 | Converter 230VAC 24VDC        | 1    |
| 16   | 42.00.080 | Control pcb *Sicotronic*      | 1    |
| 17   | 42.00.128 | SD-memory card 4GB            | 1    |
| 18   | 40.03.664 | Mounting base for control pcb | 1    |
| 19   | 10.00.989 | Rivet with screw              | 2    |
| 20   | 10.00.243 | Spacer M4x8                   | 1    |
| 21   | 1104.0121 | Hex nut M4 self locking       | 2    |
| 22   | 40.03.756 | Fixing clip f. pcb            | 1    |
| 23   | 40.03.533 | Fixing clip f. pcb            | 4    |
| 24   | 40.03.996 | Bus cable 1.15m               | 1    |
| 35   | 40.04.034 | Loudspeaker K 64 WPT          | 1    |
| A    |           | Electrical installation       | 1    |

## Electrical installation

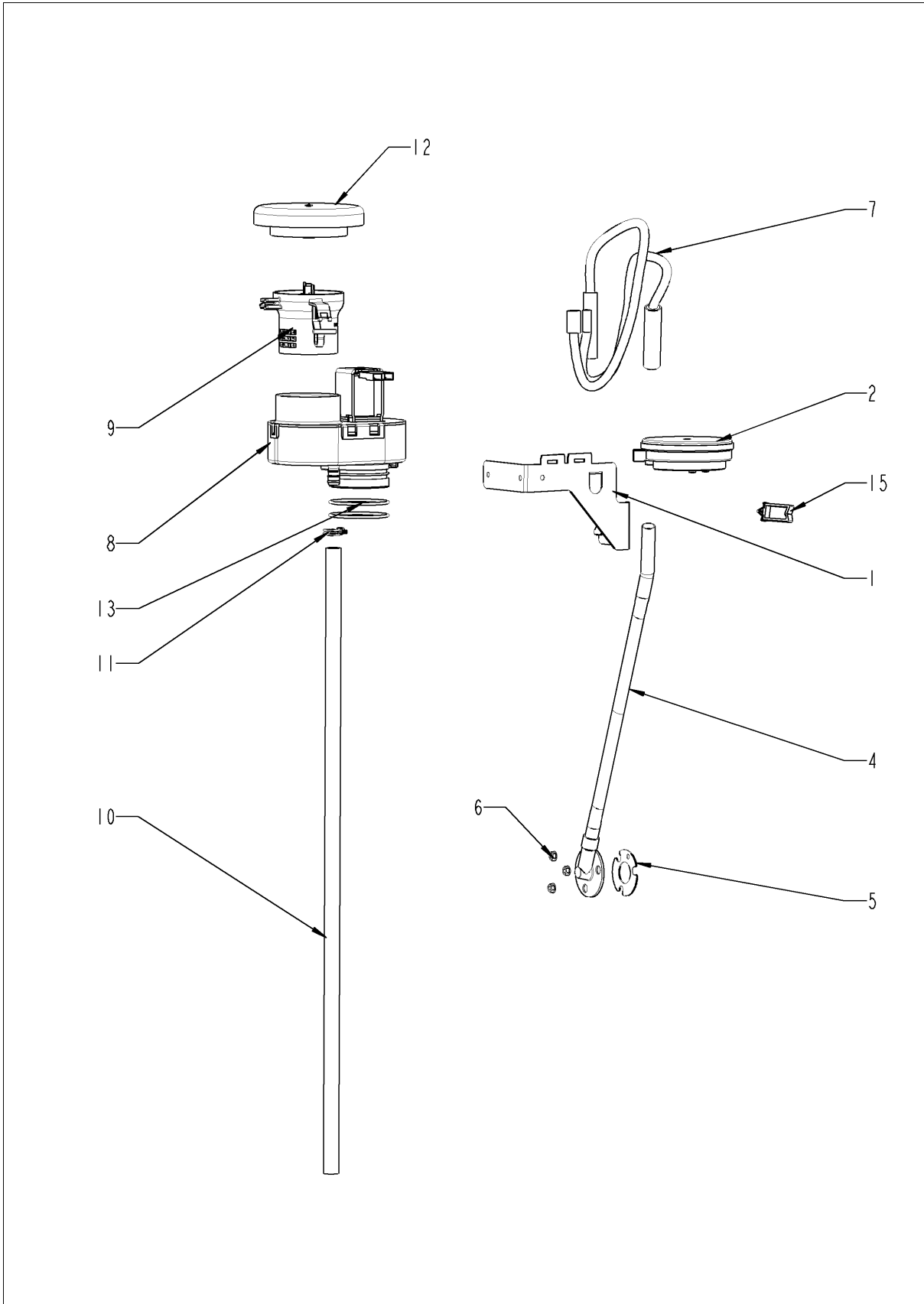




## Electrical installation

| <b>Pos.</b> | <b>Part No.</b> | <b>Description</b>                        | <b>Qty.</b> |
|-------------|-----------------|---|-------------|
| 1           | 40.03.322       | Contacteur assembly                       | 1           |
| 2           | 40.03.981       | Cable clock switch USA                    | 1           |
| 6           | 40.03.482       | Cable control harness                     | 1           |
| 8           | 40.01.329       | Dry up protector 183°                     | 1           |
| 9           | 3014.0302       | Hex nut M10 for dry-up protector          | 1           |
| 10          | 40.01.482       | Safety temperature limiter 365°C          | 1           |
| 11          | 3014.0327       | Hex nut M10x1,0                           | 1           |
| 12          | 40.03.669       | Contacteur B&J K3-40B00 190 R             | 1           |
| 13          | 40.02.641       | Auxilliary contact B&J HN10 N/O           | 1           |
| 17          | 40.03.348       | Control transformer T1                    | 1           |
| 18          | 10.01.065       | Hex nut M5                                | 1           |
| 19          | 40.03.404       | Mounting support transformer              | 1           |
| 20          | 10.01.065       | Hex nut M5                                | 1           |
| 21          | 40.02.425       | Varistor                                  | 1           |
| 25          | 4001.0224       | Fuse 6.35x32mm                            | 2           |
| 25          | 40.01.588       | Fuse SC-8A 10x38                          | 2           |
| 26          | 40.02.512       | Fuse holder 2x6.3A                        | 1           |
| 26          | 40.01.487       | Fuse holder 2pol                          | 1           |
| 29          | 10.00.365       | Pan head screw Torx M3x20                 | 2           |
| 37          | 40.03.729       | Terminal block grey WKN 35/U              | 3           |
| 39          | 40.03.731       | Earth terminal WKN 35SL/U                 | 1           |
| 47          | 40.03.282       | Drip protection for air inlet filter 1 UL | 1           |
| 48          | 10.00.709       | Hex nut M6 w. locking                     | 1           |
| 49          | 10.01.218       | Edge protection profile                   | 1           |
| 50          | 40.03.755       | Cover behind 2 UL                         | 1           |
| 51          | 10.00.365       | Pan head screw Torx M3x20                 | 2           |
| 54          | 40.04.122       | Cover for Fuse *UL*                       | 2           |

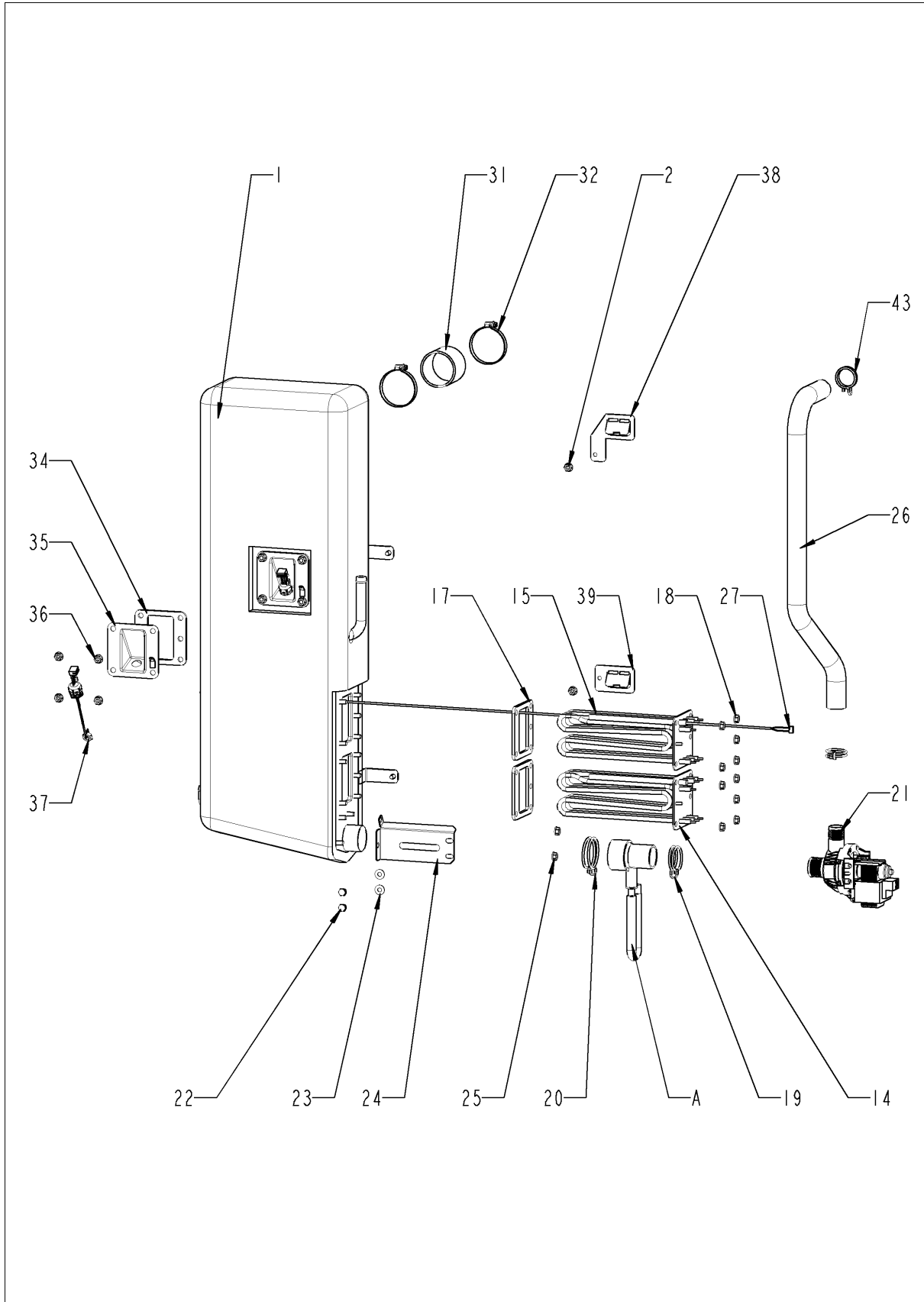
# ClimaPlus



## ClimaPlus

| Pos. | Part No.  | Description                                   | Qty. |
|------|-----------|---|------|
| 1    | 22.00.882 | Mounting device f. pressure sensor            | 1    |
| 2    | 3017.1011 | Pressure sensor for humidity control Huba 401 | 1    |
| 4    | 22.00.850 | Outer humidity meas. Piece                    | 1    |
| 5    | 22.00.881 | Gasket f. hum. meas. Pipe                     | 1    |
| 6    | 1104.0122 | Hex combination nut M4 galv                   | 3    |
| 7    | 22.00.525 | Hose set f. humidity control                  | 1    |
| 8    | 22.00.725 | Humidity control cpl.                         | 1    |
| 9    | 22.00.915 | Air inlet pipe                                | 1    |
| 10   | 22.00.960 | Drain hose for humidity control               | 1    |
| 11   | 2066.0527 | Hose clamp ø14mm                              | 2    |
| 12   | 22.00.767 | Vent cover                                    | 1    |
| 13   | 22.00.837 | O-ring for humidity control                   | 2    |
| 15   | 10.00.111 | Cable clip long                               | 2    |

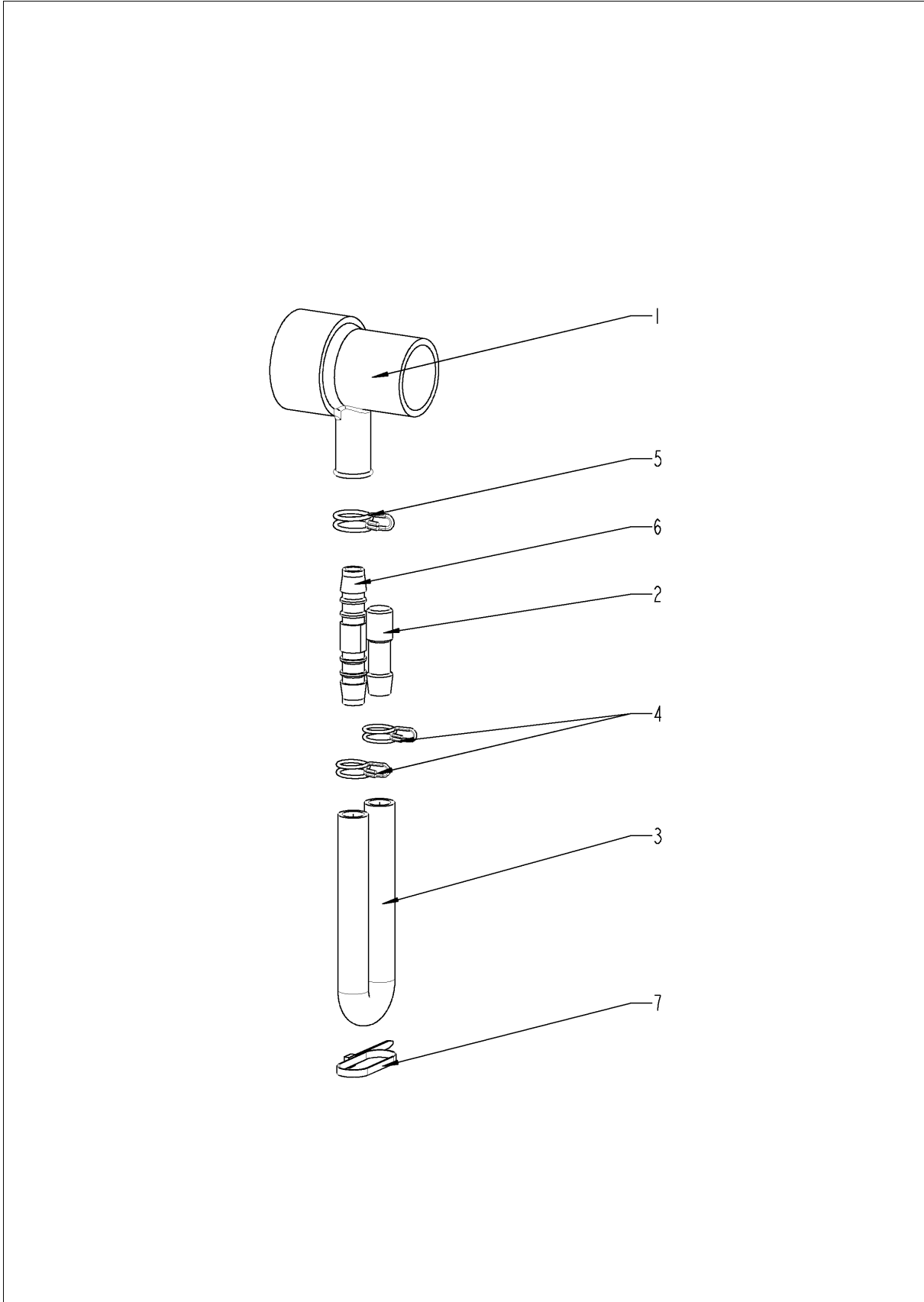
# Steam generator



## Steam generator

| Pos. | Part No.  | Description                                      | Qty. |
|------|-----------|--|------|
| 1    | 44.00.941 | Steam generator insolated                        | 1    |
| 2    | 10.00.709 | Hex nut M6 w. locking                            | 2    |
| 14   | 44.01.347 | Heating element                                  | 1    |
| 15   | 44.01.374 | Heating element w/o pipe                         | 1    |
| 17   | 44.00.280 | Gasket f. heating element+Level elektrode insert | 2    |
| 18   | 10.00.709 | Hex nut M6 w. locking                            | 10   |
| 19   | 2066.0519 | Hose clamp 35,6mm                                | 1    |
| 20   | 2066.0526 | Hose clamp ø46mm                                 | 1    |
| 21   | 44.00.207 | Emptying pump                                    | 1    |
| 22   | 1006.0762 | Hex screw M6x10                                  | 2    |
| 23   | 1306.0222 | Washer A6,4x15x1,5                               | 2    |
| 24   | 44.00.232 | Fixing device f. pump steam generator            | 1    |
| 25   | 10.00.709 | Hex nut M6 w. locking                            | 2    |
| 26   | 44.01.221 | Drain hose steam generator                       | 1    |
| 27   | 40.04.106 | Thermocouple steam generator *B5*                | 1    |
| 29   | 10.00.414 | Cable strap black 120°                           | 1    |
| 30   | 1104.0122 | Hex combination nut M4 galv                      | 1    |
| 31   | 2112.1006 | Steam hose 50x7mm                                | 1    |
| 32   | 2066.0504 | Hose clamp 40-60mm                               | 2    |
| 34   | 44.00.280 | Gasket f. heating element+Level elektrode insert | 1    |
| 35   | 2920.1300 | Level elektrode insert                           | 1    |
| 36   | 10.00.709 | Hex nut M6 w. locking                            | 4    |
| 37   | 44.01.407 | Filling level electrode 90mm                     | 1    |
| 38   | 44.01.168 | Fixing angle steam generator                     | 1    |
| 39   | 44.01.181 | Fixing angle steam generator                     | 1    |
| 43   | 2066.0518 | Hose clamp 30mm                                  | 2    |
| A    | 8354.1320 | Pump connection spout cpl.                       | 1    |

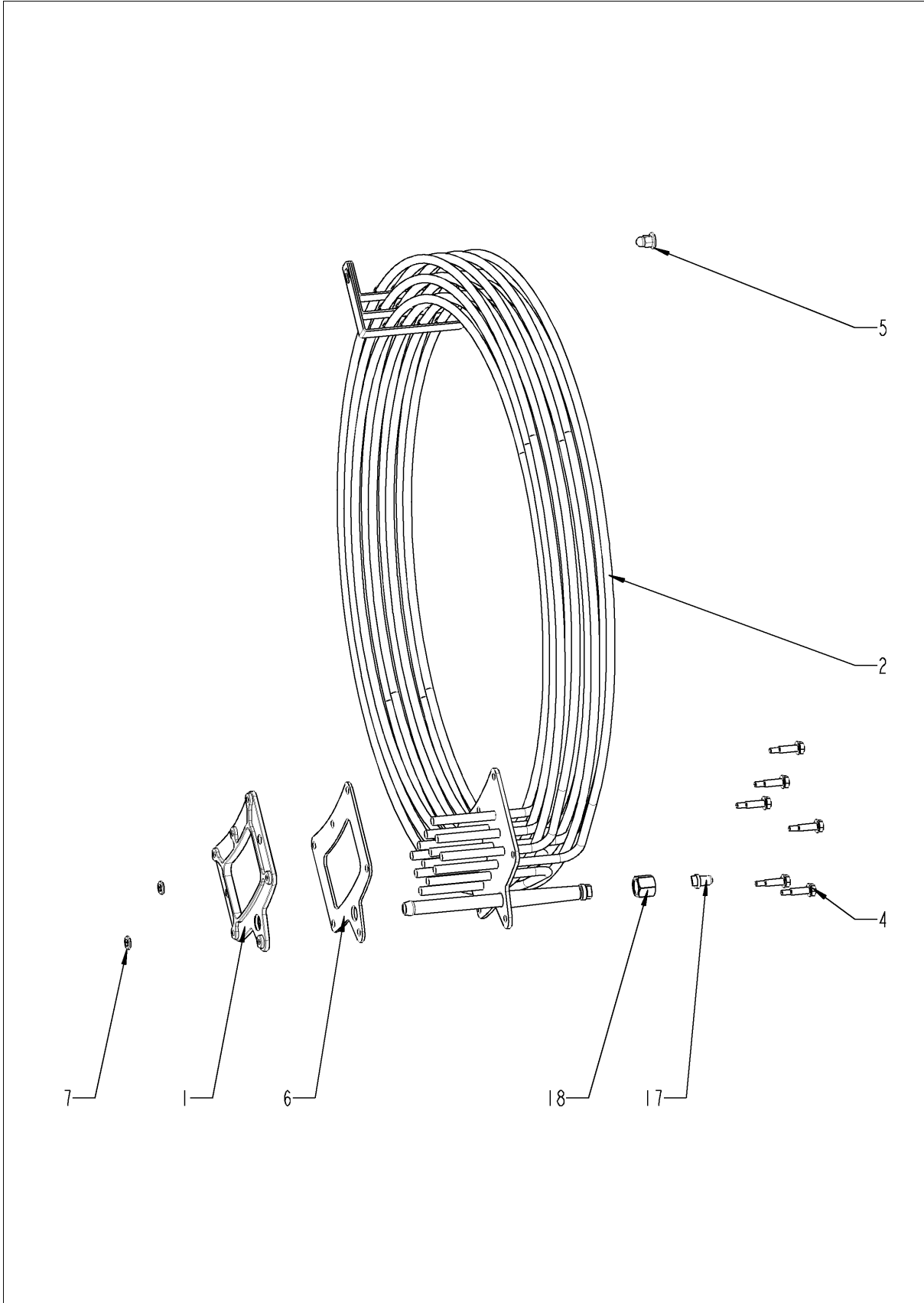
## Pump connection spout



## Pump connection spout

| Pos. | Part No.  | Description                  | Qty. |
|------|-----------|------------------------------|------|
| 1    | 2118.1000 | Pump connection spout        | 1    |
| 2    | 2120.1259 | Stop plug 10mm               | 1    |
| 3    | 2110.1008 | Silicon hose ø10x2mm         | 1    |
| 4    | 2066.0527 | Hose clamp ø14mm             | 2    |
| 5    | 2066.0530 | Hose clamp ø16.4mm           | 1    |
| 6    | 2062.0331 | Junction pressure hose GS 10 | 1    |
| 7    | 4005.0101 | Tie rap 145 mm               | 1    |

## Hot air heating

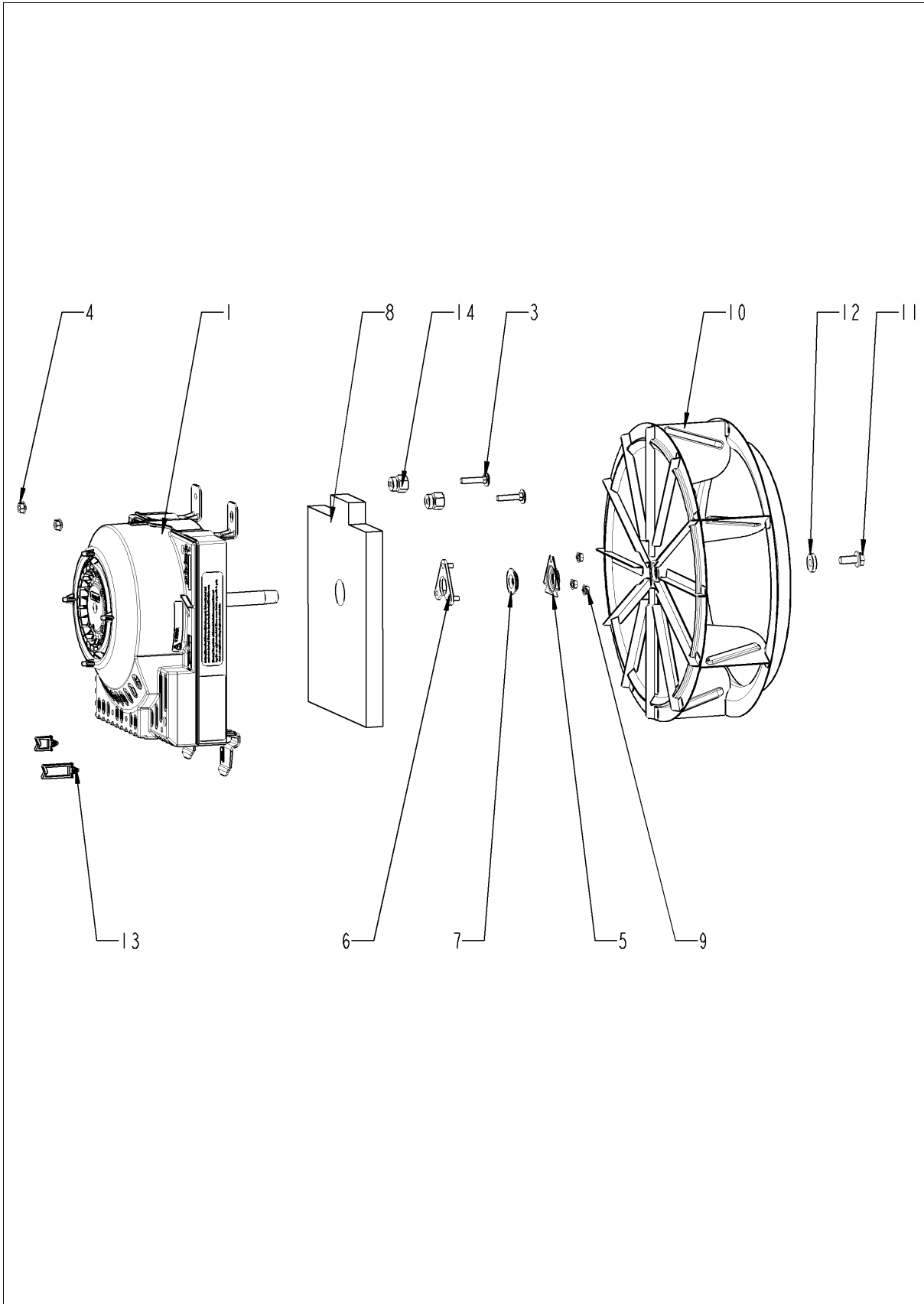




## Hot air heating

| Pos. | Part No.  | Description                       | Qty. |
|------|-----------|-----------------------------------|------|
| 1    | 40.03.410 | Mating flange f. heating assembly | 1    |
| 2    | 40.03.639 | Heating assembly                  | 1    |
| 4    | 10.00.109 | Hex screw M5x23                   | 6    |
| 5    | 10.01.076 | Cap nut M5*A2                     | 1    |
| 6    | 40.03.415 | Gasket f. heating assembly        | 1    |
| 7    | 1107.0103 | Star lock ø3                      | 2    |
| 17   | 50.00.844 | Nozzle f. moistening              | 1    |
| 18   | 50.00.846 | Union nut M12x13.2 N              | 1    |

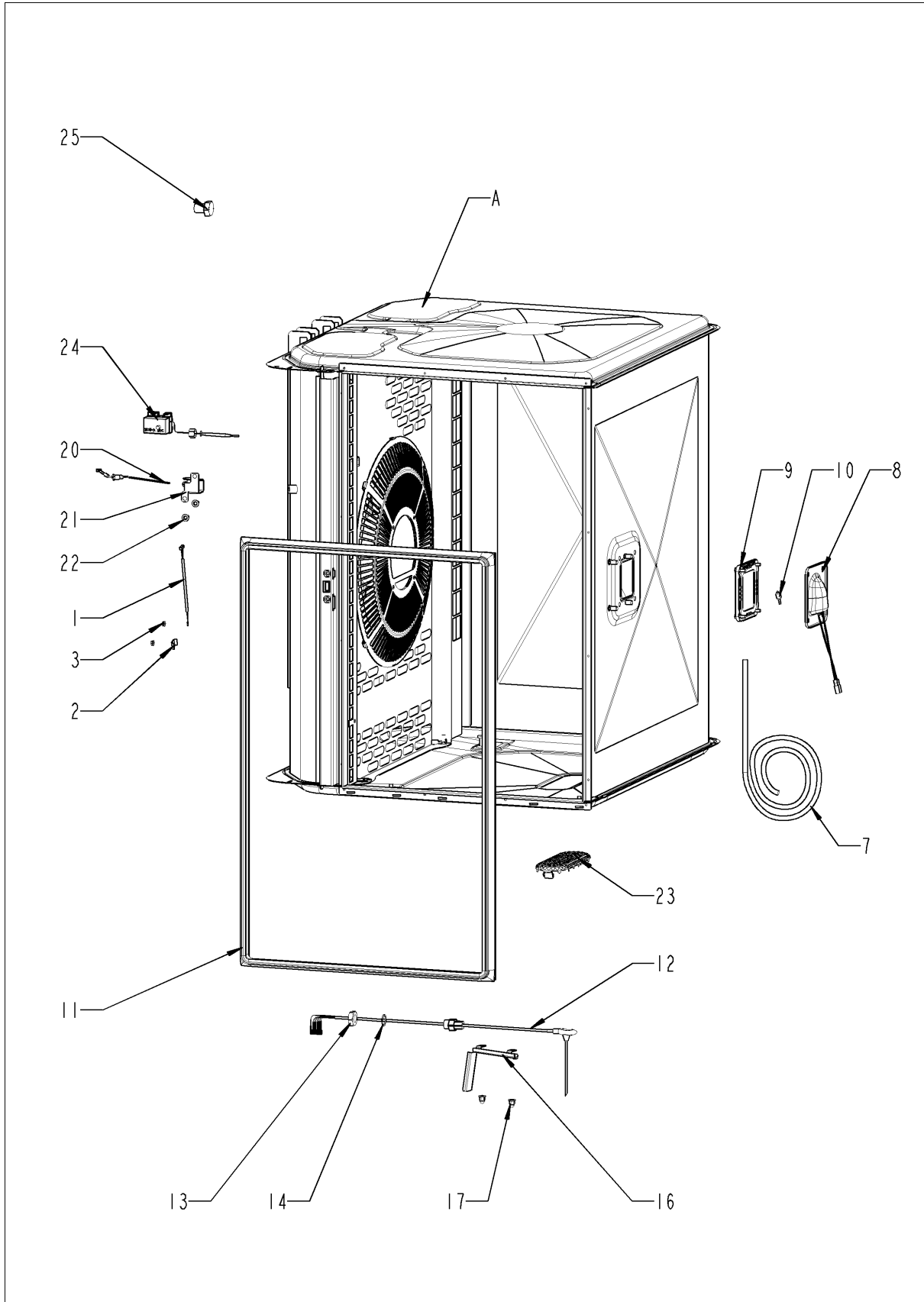
## Motor and fan wheel



## Motor and fan wheel

| Pos. | Part No.  | Description                            | Qty. |
|------|-----------|--|------|
| 1    | 40.03.378 | Fan motor                              | 1    |
| 3    | 10.01.049 | Square necked mushroom head bolt 6x30  | 4    |
| 4    | 10.00.709 | Hex nut M6 w. locking                  | 2    |
| 5    | 22.00.721 | Flange f. motor shaft gasket           | 1    |
| 6    | 22.00.722 | Mounting support f. gasket flange      | 1    |
| 7    | 22.00.083 | Motor shaft gasket                     | 1    |
| 8    | 20.01.755 | Isolation for mounting plate for motor | 1    |
| 9    | 10.01.065 | Hex nut M5                             | 3    |
| 10   | 22.00.828 | Fan wheel                              | 1    |
| 11   | 10.00.565 | Hex screw M8x20                        | 1    |
| 12   | 1308.0162 | Washer A8,4                            | 1    |
| 13   | 10.00.111 | Cable clip long                        | 3    |
| 14   | 20.01.411 | Bushing for motor mounting bar         | 4    |

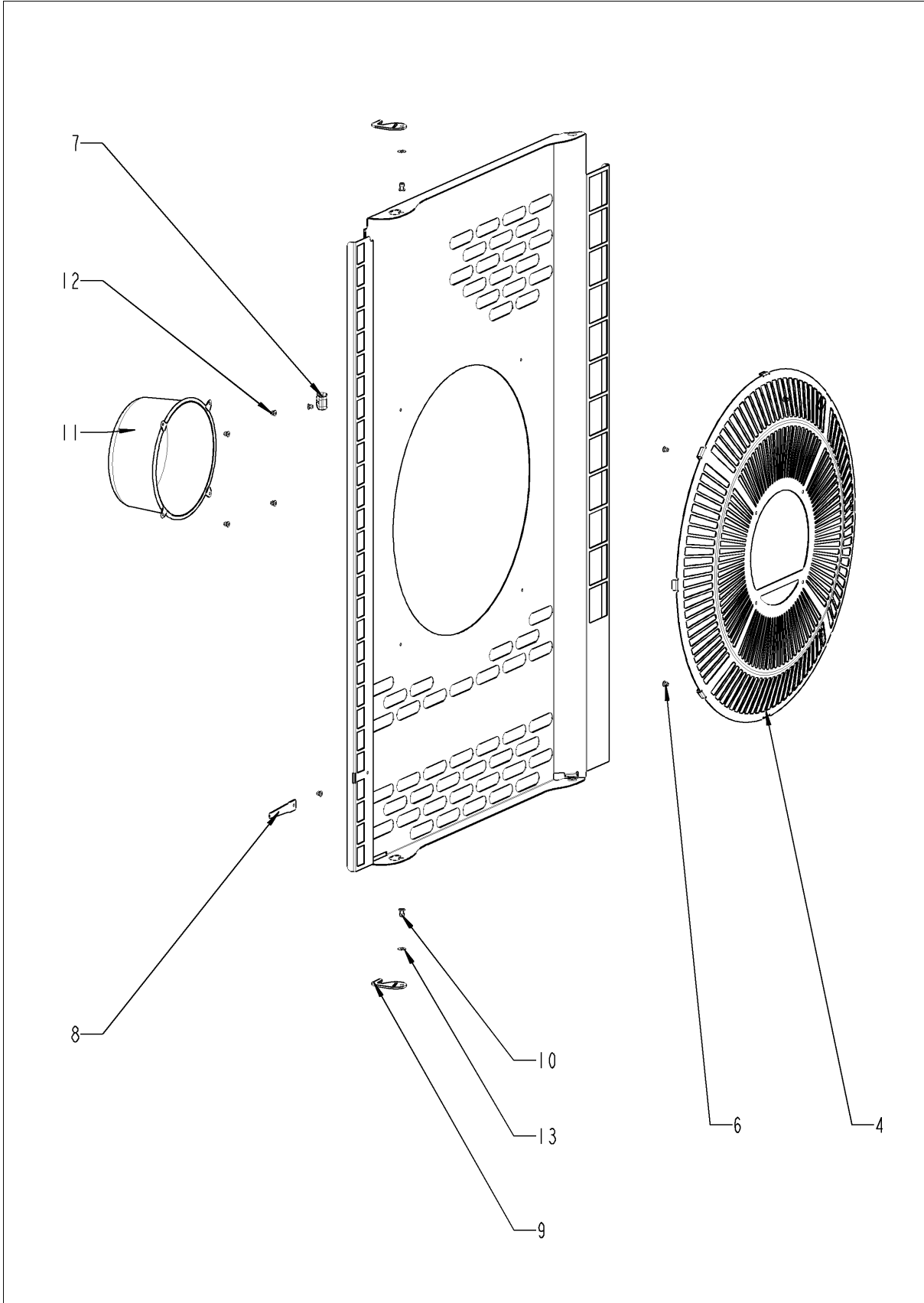
## Interior cabinet



## Interior cabinet

| Pos. | Part No.  | Description                      | Qty. |
|------|-----------|----------------------------------|------|
| 1    | 40.00.290 | Thermocouple humidity            | 1    |
| 2    | 10.00.087 | Clamp strap f. sensor            | 1    |
| 3    | 10.00.100 | Hex nut M4, self-locking         | 1    |
| 7    | 40.03.531 | Wiring interior light            | 1    |
| 8    | 40.00.098 | Reflector f. interior light      | 1    |
| 9    | 40.00.091 | Gasket frame w. glass a. gaskets | 1    |
| 10   | 3024.0201 | Halogen bulb 300°C               | 1    |
| 11   | 20.01.802 | Door gasket                      | 1    |
| 12   | 40.01.604 | Meat probe sensor                | 1    |
| 13   | 10.00.612 | Hex nut M16 flat                 | 1    |
| 14   | 1315.0104 | Copper washer 16x20x1,5          | 1    |
| 16   | 40.01.317 | Screen core temperature sensor   | 1    |
| 17   | 10.01.076 | Cap nut M5*A2                    | 2    |
| 20   | 40.04.096 | Thermocouple interior cabinet B1 | 1    |
| 21   | 40.03.782 | Screen interior cabinet sensor   | 1    |
| 22   | 10.01.076 | Cap nut M5*A2                    | 2    |
| 23   | 54.01.117 | Outlet sieve                     | 1    |
| 24   | 40.01.482 | Safety temperature limiter 365°C | 1    |
| 25   | 3014.0327 | Hex nut M10x1,0                  | 1    |
| A    | 22.00.744 | Air baffle                       | 1    |

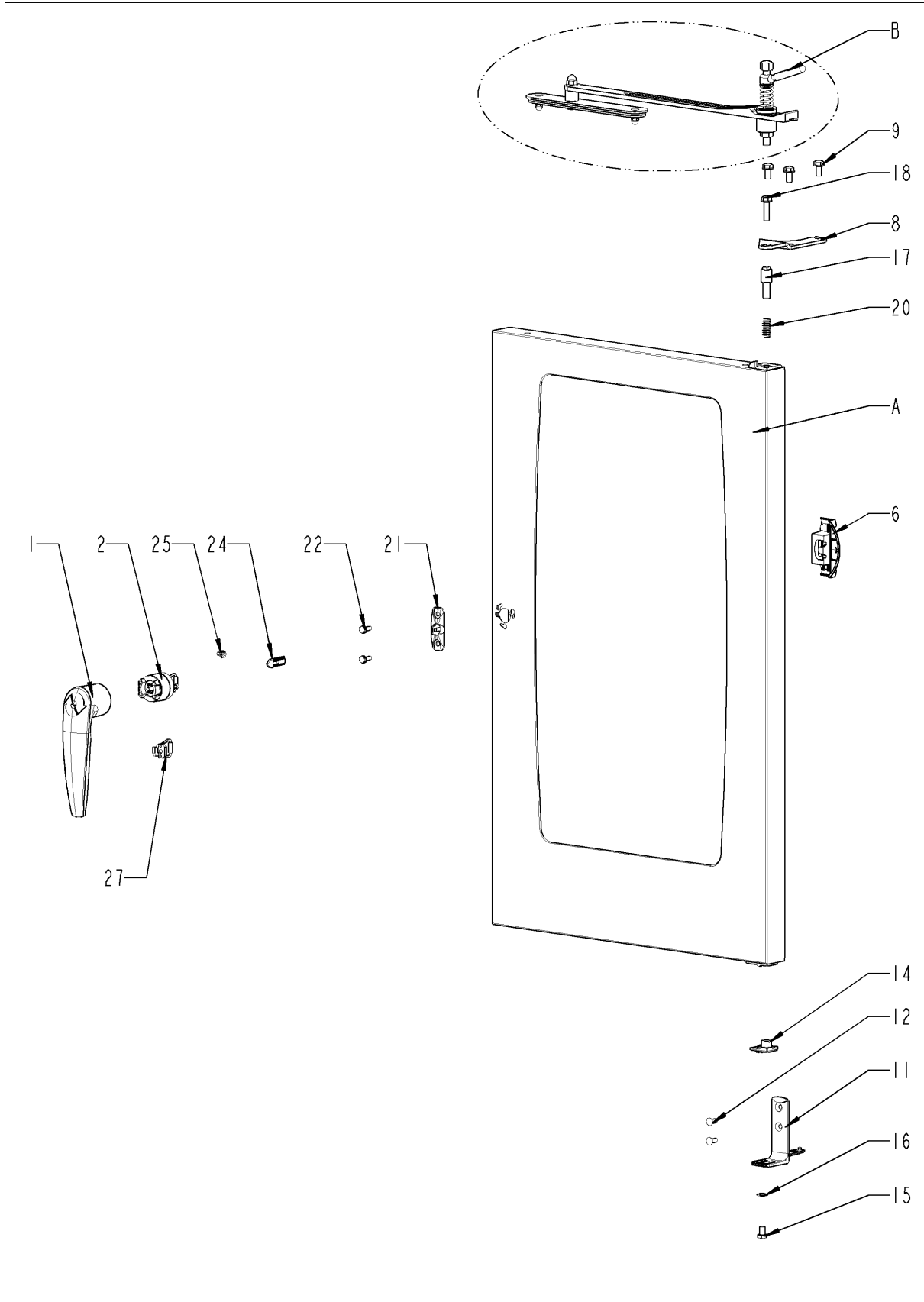
## Air baffle



## Air baffle

| Pos. | Part No.  | Description                       | Qty. |
|------|-----------|-----------------------------------|------|
| 4    | 22.00.730 | Hand protection                   | 1    |
| 6    | 10.00.515 | Rivet 3,2x5 A4                    | 4    |
| 7    | 40.03.780 | Fixing clip core temp. cable      | 1    |
| 8    | 22.00.491 | Surge guard for Meat probe sensor | 1    |
| 9    | 2760.1370 | Latch hook for air baffle         | 2    |
| 10   | 1604.0167 | Rivet 4x10                        | 3    |
| 11   | 22.00.361 | Deep-draw f. air baffle           | 1    |
| 12   | 10.00.515 | Rivet 3,2x5 A4                    | 4    |
| 13   | 10.00.744 | Washer A4,3 *A4                   | 1    |

# Door

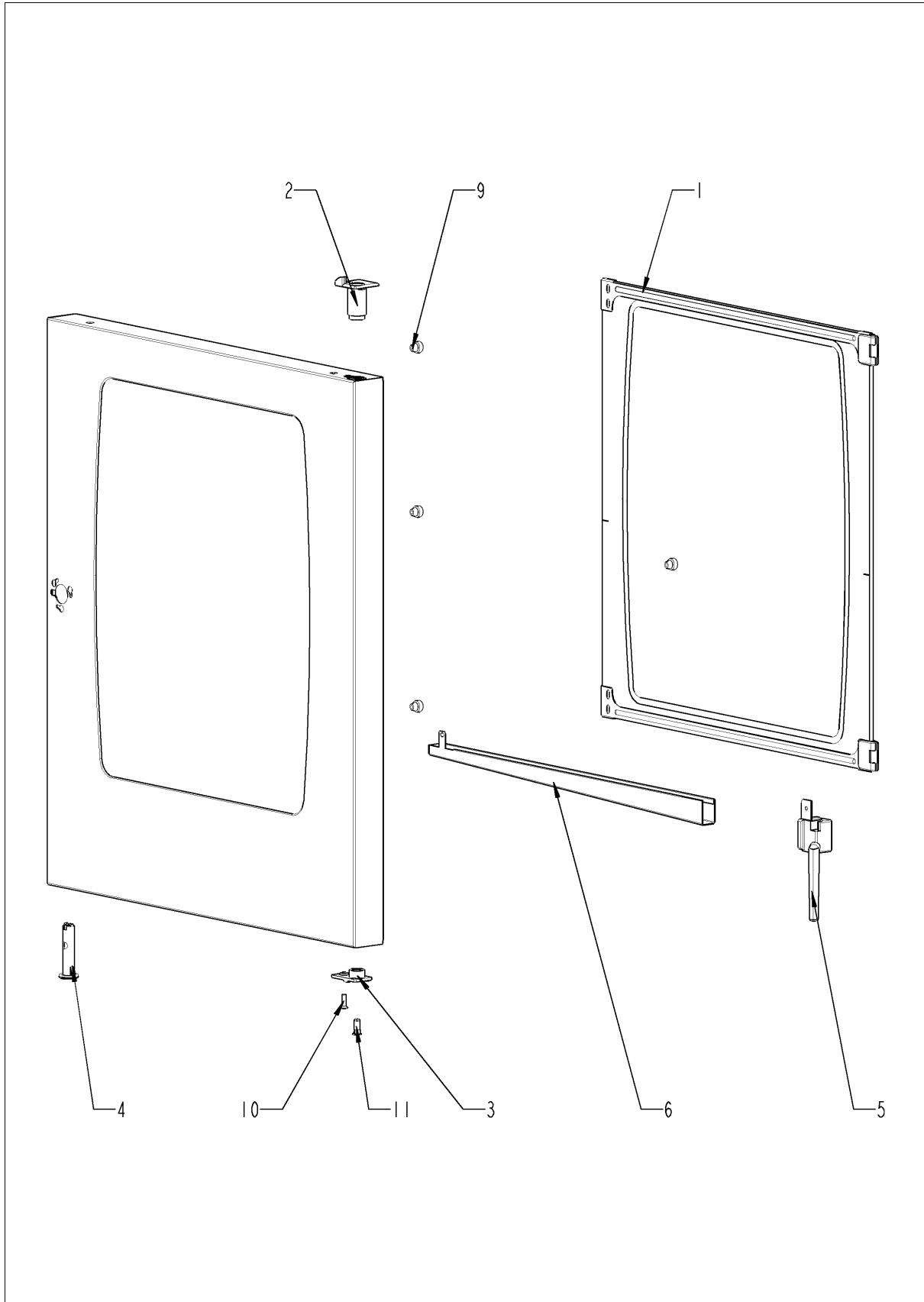




## Door

| <b>Pos.</b> | <b>Part No.</b> | <b>Description</b>            | <b>Qty.</b> |
|-------------|-----------------|-------------------------------|-------------|
| 1           | 24.00.152       | Door handle                   | 1           |
| 2           | 24.00.176       | Door lock                     | 1           |
| 6           | 24.00.504       | Lock cover                    | 1           |
| 8           | 24.00.133       | Door mounting support top     | 1           |
| 9           | 1008.0768       | Ornamental screw M8x16        | 3           |
| 11          | 24.00.223       | Door mounting support bottom  | 1           |
| 12          | 1006.1962       | Countersunk screw Torx M6x16  | 2           |
| 14          | 24.00.137       | Door bolt                     | 1           |
| 15          | 10.00.099       | Hex screw M8x12               | 1           |
| 16          | 1308.0160       | Washer A8,4                   | 1           |
| 17          | 24.00.048       | Door bolt                     | 1           |
| 18          | 1008.0769       | Ornamental screw M8x30        | 1           |
| 20          | 2001.0109       | Compression spring            | 1           |
| 21          | 24.00.141       | Holding bracket f. door catch | 1           |
| 22          | 1006.0760       | Hex screw M6x16               | 2           |
| 24          | 24.00.142       | Door catch                    | 1           |
| 25          | 1005.2000       | Interlocking tooth screw M5x8 | 1           |
| 27          | 24.01.100       | Spring clip f. door lock      | 1           |
| A           | 24.00.093       | Door                          | 1           |

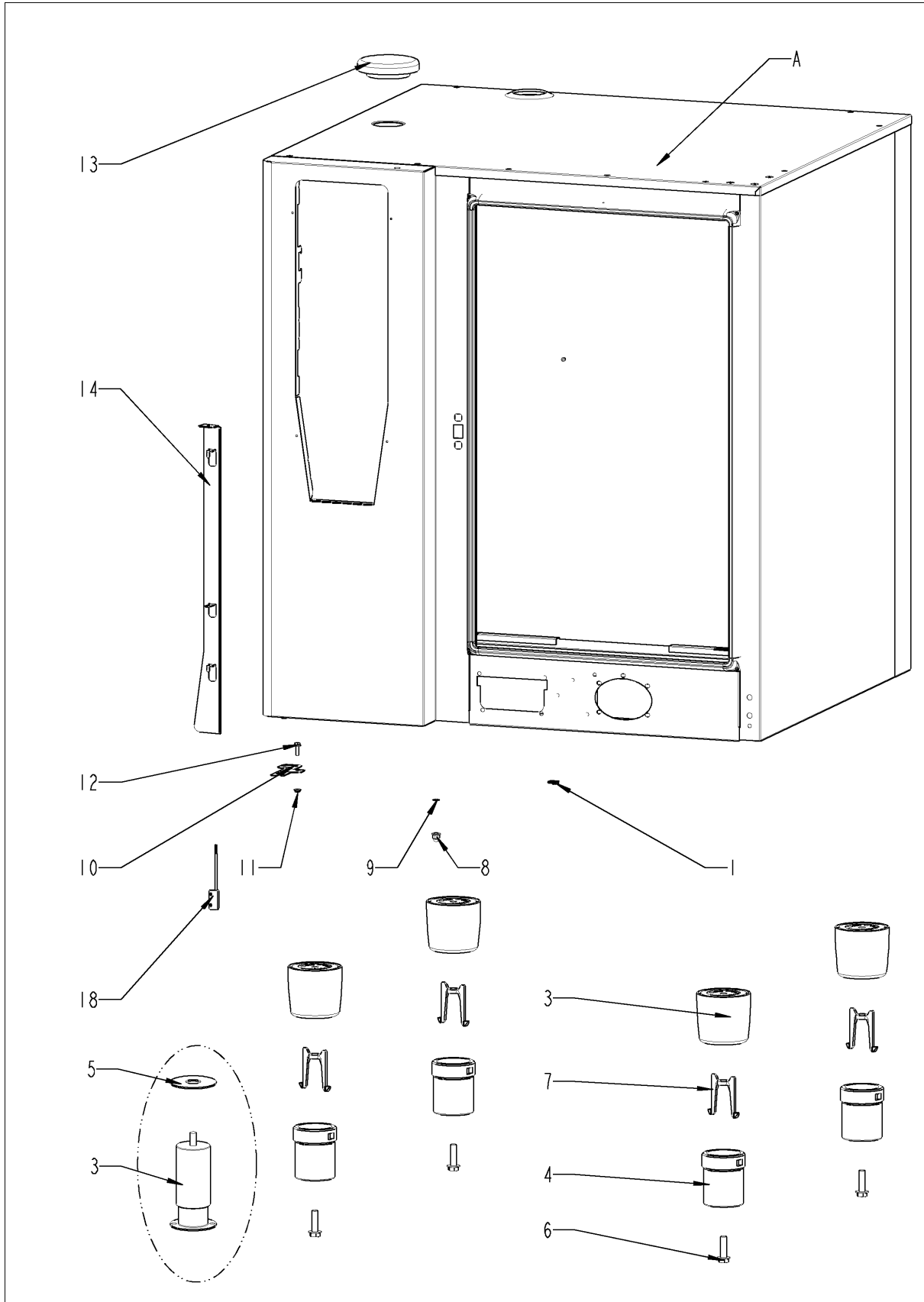
## Door



## **Door**

| <b>Pos.</b> | <b>Part No.</b> | <b>Description</b>                  | <b>Qty.</b> |
|-------------|-----------------|-------------------------------------|-------------|
| 1           | 24.00.164       | Inner glass pane                    | 1           |
| 2           | 24.00.147       | Sleeve for door bolt top            | 1           |
| 3           | 24.00.146       | Door setting bolt                   | 1           |
| 4           | 24.00.502       | Fixing device f. magnet with magnet | 1           |
| 5           | 24.01.188       | Drain door drip collector           | 1           |
| 6           | 24.01.800       | Door drip collector                 | 1           |
| 9           | 24.00.171       | Silicone buffer 7mm for door        | 1           |
| 10          | 1005.1966       | Countersunk screw Torx M5x16        | 2           |
| 11          | 10.00.041       | Rivet nut M5 hexagon closed         | 2           |

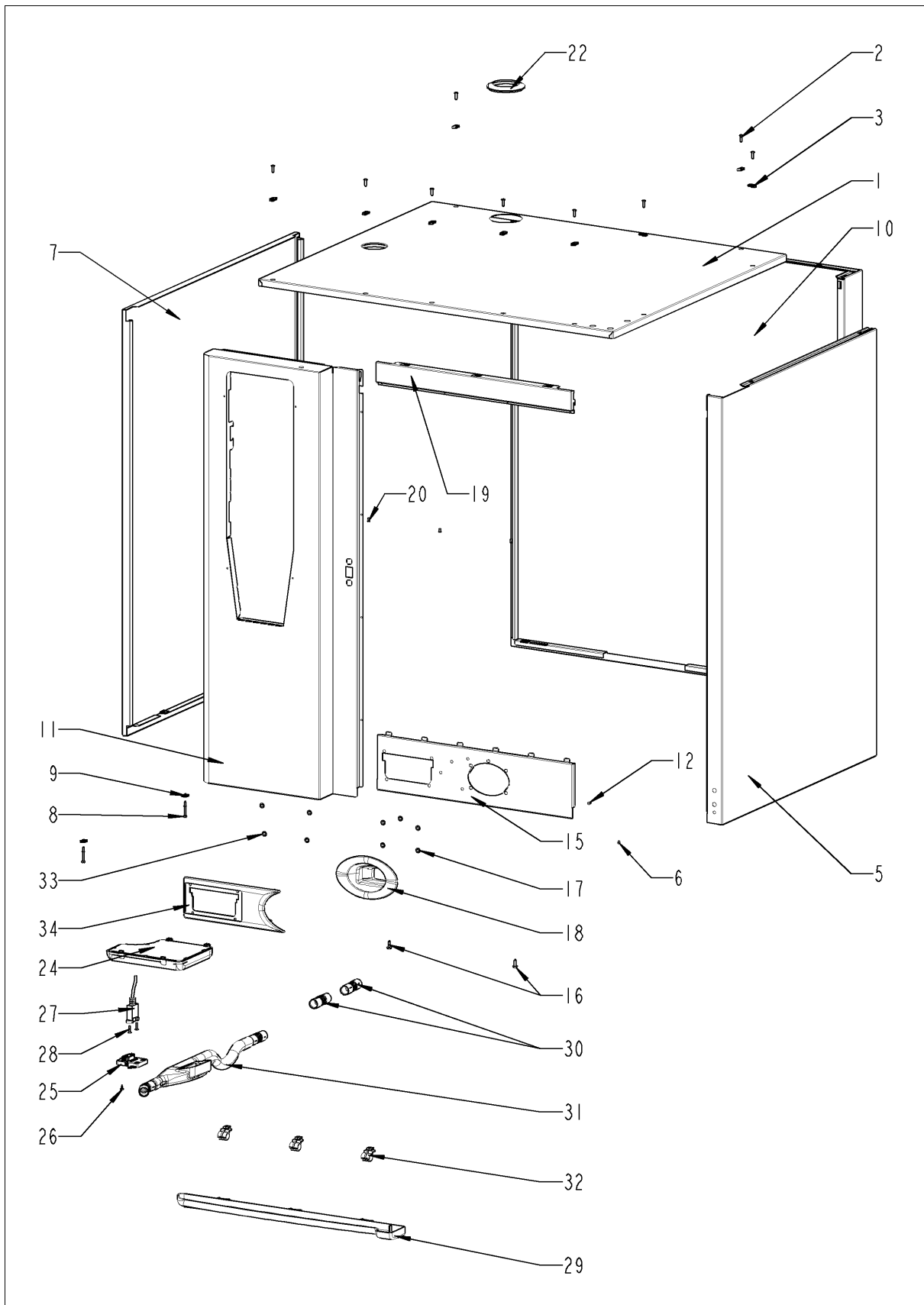
## Exterior cabinet



## Exterior cabinet

| <b>Pos.</b> | <b>Part No.</b> | <b>Description</b>                     | <b>Qty.</b> |
|-------------|-----------------|--|-------------|
| 1           | 1104.0820       | Snap nut 4,2mm                         | 2           |
| 3           | 12.00.205       | Upper part of pedestal                 | 4           |
| 4           | 12.01.133       | Lower part of pedestal                 | 4           |
| 6           | 10.00.975       | Hex screw M10x35                       | 4           |
| 7           | 12.00.516       | Turning lock f. lower part of pedestal | 4           |
| 8           | 10.00.745       | Cap nut M6*A2                          | 1           |
| 9           | 1206.0120       | Tooth lock washer A6,4                 | 1           |
| 10          | 16.01.146       | Bracket for door contact switch        | 1           |
| 12          | 10.01.214       | Interlocking tooth screw M5x10         | 1           |
| 13          | 22.00.767       | Vent cover                             | 1           |
| 14          | 16.01.965       | Opening mechanism for panel insert     | 1           |
| 18          | 40.00.335       | Door switch                            | 1           |
| A           |                 | Exterior cabinet                       | 1           |

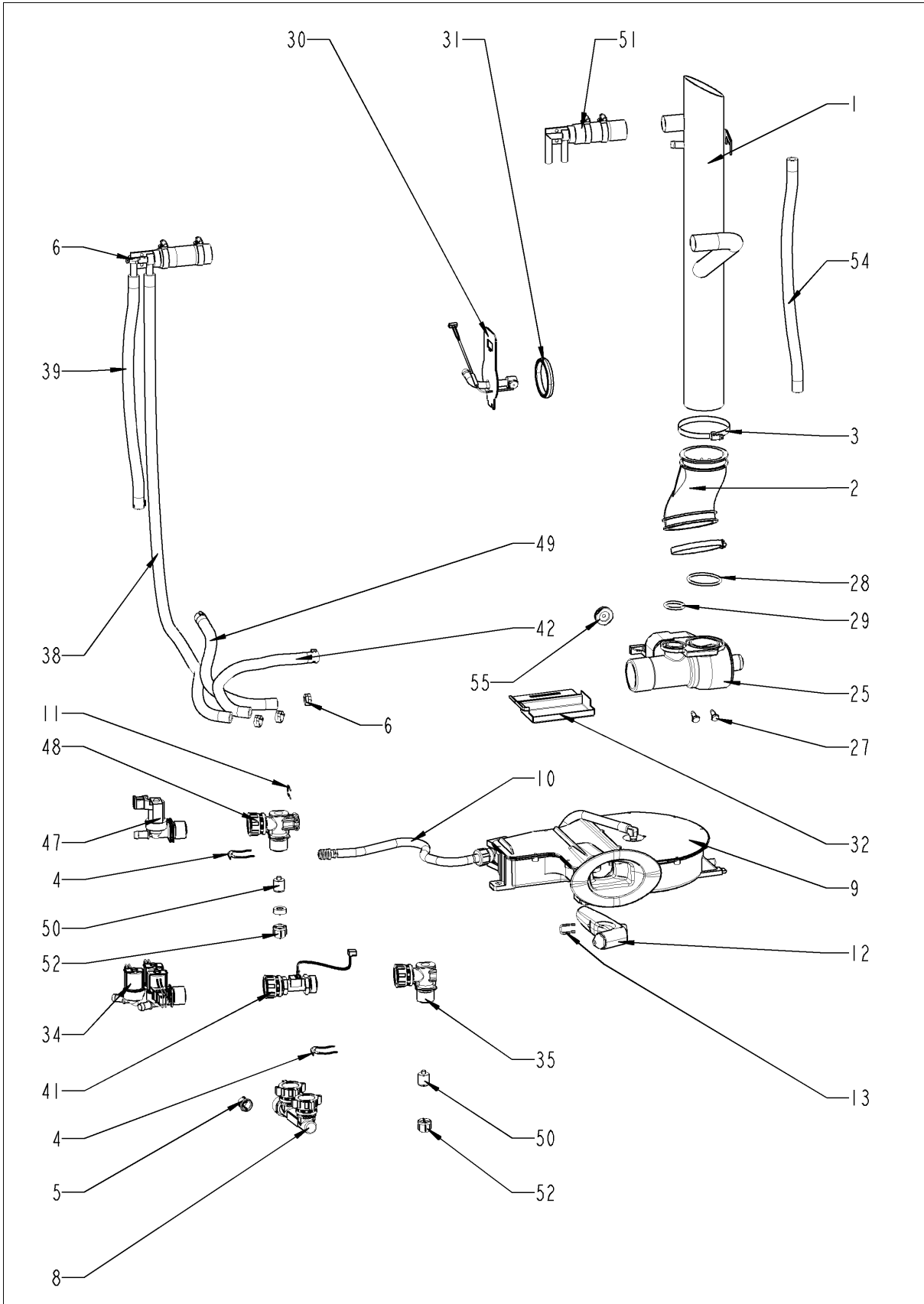
## Exterior cabinet



## Exterior cabinet

| Pos. | Part No.  | Description                           | Qty. |
|------|-----------|---------------------------------------|------|
| 1    | 16.02.152 | Top cover                             | 1    |
| 2    | 1003.2265 | Countersunk self tapping screw 4,2x16 | 9    |
| 3    | 1104.0820 | Snap nut 4,2mm                        | 9    |
| 5    | 16.00.127 | Side panel right                      | 1    |
| 6    | 1603.0166 | Rivet 3,2x7,9 CNS closed              | 4    |
| 7    | 16.00.128 | Side panel left                       | 1    |
| 8    | 10.00.992 | Hex self tapping screw B4,2x32        | 2    |
| 9    | 1104.0820 | Snap nut 4,2mm                        | 2    |
| 10   | 16.01.926 | Back panel                            | 1    |
| 11   | 16.01.857 | Front panel                           | 1    |
| 12   | 1603.0166 | Rivet 3,2x7,9 CNS closed              | 4    |
| 15   | 16.01.488 | Crossbar below                        | 1    |
| 16   | 1004.2160 | Hex self tapping screw 4,2x16         | 2    |
| 17   | 1107.0100 | Star lock ø4                          | 5    |
| 18   | 50.00.751 | Tulip for handshower with tape        | 1    |
| 19   | 16.00.180 | Crossbar top                          | 1    |
| 20   | 1603.0166 | Rivet 3,2x7,9 CNS closed              | 4    |
| 22   | 16.01.748 | Gasket f. breather tube d=63mm        | 1    |
| 24   | 40.02.684 | Air inlet filter cpl.                 | 1    |
| 25   | 16.00.329 | Cover f. USB interface                | 1    |
| 26   | 10.00.103 | EJOT PT-screw KA 3.5x10               | 1    |
| 27   | 40.04.046 | Interface cable USB 1.0m              | 1    |
| 28   | 10.00.460 | EJOT PT-Screw Torx 3,5x14             | 2    |
| 29   | 50.00.286 | Drip collector                        | 1    |
| 30   | 50.00.303 | Bushing drip collector                | 2    |
| 31   | 50.01.191 | Drain pipe with bushing               | 1    |
| 32   | 50.00.296 | Clip f. drip collector                | 3    |
| 33   | 1107.0100 | Star lock ø4                          | 4    |
| 34   | 56.00.435 | Frame for drawer CareControl          | 1    |

# Water





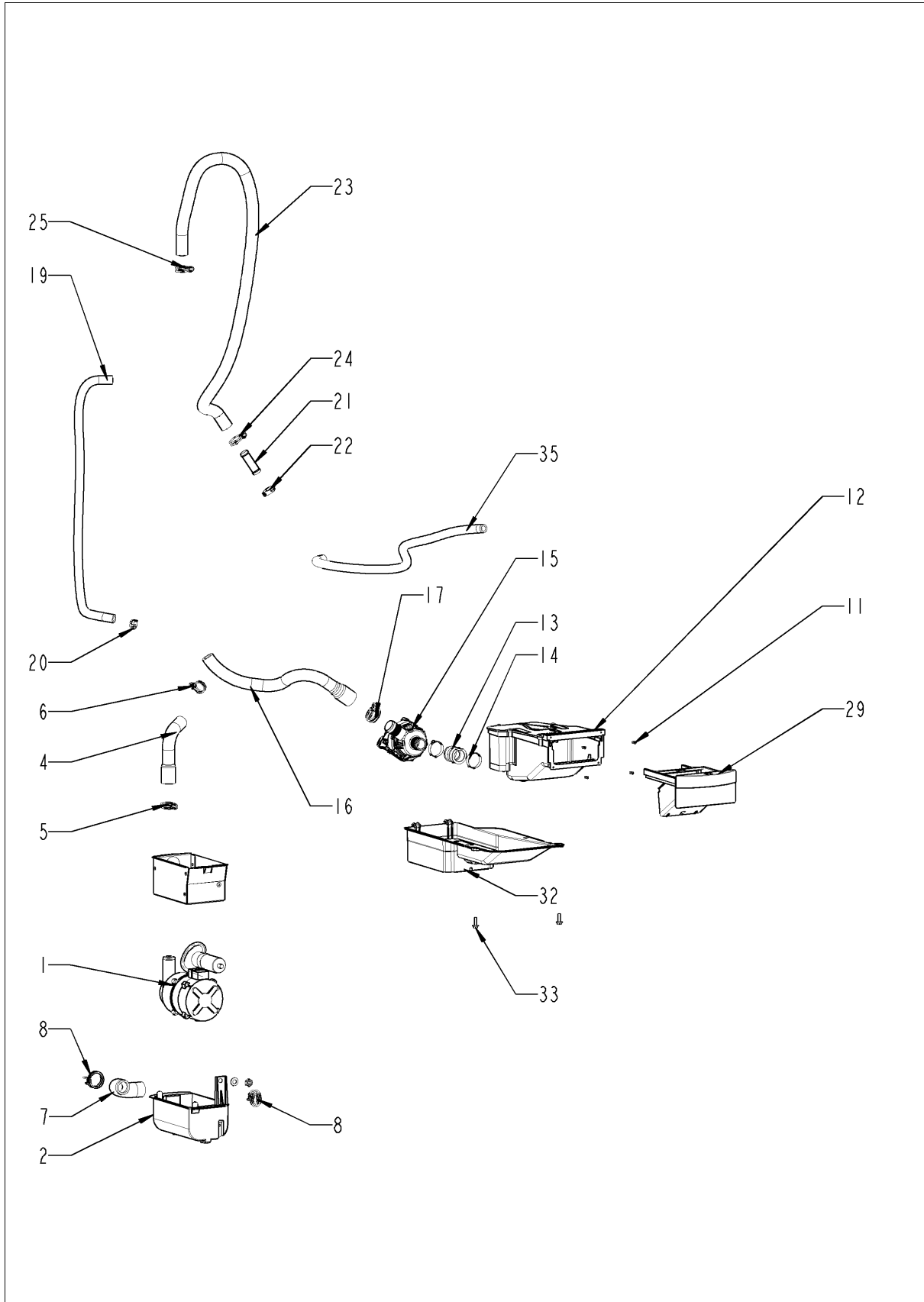
**SelfCooking Center 101 - 10 x 1/1 GastronormE**  
**E11SH1111**



**Water**

| <b>Pos.</b> | <b>Part No.</b> | <b>Description</b>                          | <b>Qty.</b> |
|-------------|-----------------|---|-------------|
| 1           | 54.00.738       | Ventilation pipe                            | 1           |
| 2           | 54.01.141       | Rubber form piece venting pipe              | 1           |
| 3           | 2066.0516       | Hose clamp 60-80 mm                         | 2           |
| 4           | 50.00.086       | Locking plate f. water distribution         | 1           |
| 5           | 1900.0202       | Water filter                                | 1           |
| 6           | 2066.0205       | Hose clamp 8-16x9 mm SW 7mm                 | 2           |
| 8           | 50.00.313       | T-fitting water connection                  | 1           |
| 9           | 50.00.140       | Hand shower roll guide                      | 1           |
| 10          | 50.01.213       | Connect. pipe f. hand shower roll guide     | 1           |
| 11          | 50.00.085       | Plug-in spring f. hand shower roll guide    | 1           |
| 12          | 50.00.130       | Hand shower                                 | 1           |
| 13          | 50.00.156       | Clamp f. hand shower roll guide             | 1           |
| 14          | 10.01.004       | Truss head screw with flange MLF A2 M6x20   | 1           |
| 15          | 10.00.745       | Cap nut M6*A2                               | 1           |
| 25          | 54.00.357       | Ball valve drain SCC cpl.                   | 1           |
| 27          | 10.00.449       | Pan head screw M6x16                        | 2           |
| 28          | 10.00.511       | O-ring for ball valve drain 46x3.5          | 1           |
| 29          | 10.00.512       | O-ring for ball valve drain 26x3.5          | 1           |
| 30          | 54.01.148       | Inspection lid, quenching nozzle, B2        | 1           |
| 31          | 54.01.168       | Gasket f. inspection lid quenching          | 1           |
| 32          | 54.01.191       | Collecting pan                              | 1           |
| 33          | 10.00.745       | Cap nut M6*A2                               | 1           |
| 34          | 50.01.050       | Triple solenoid valve                       | 1           |
| 35          | 50.00.071       | Water distribution hor. w/o roll guide con. | 1           |
| 38          | 2067.0050       | Pressure hose d10mm                         | 1.15        |
| 39          | 2067.0050       | Pressure hose d10mm                         | .65         |
| 41          | 50.01.523       | Water volume sensor                         | 1           |
| 42          | 2067.0050       | Pressure hose d10mm                         | .52         |
| 47          | 50.01.146       | Single solenoid valve                       | 1           |
| 48          | 50.00.070       | Water distribution hor roll guide con.      | 1           |
| 49          | 2067.0050       | Pressure hose d10mm                         | .31         |
| 50          | 50.00.078       | Non return valve DW16/DN12                  | 2           |
| 51          | 8354.1304       | Venting valve for steam generator           | 1           |
| 52          | 1900.0202       | Water filter                                | 2           |
| 55          | 2022.0101       | Grommet d8mm                                | 1           |

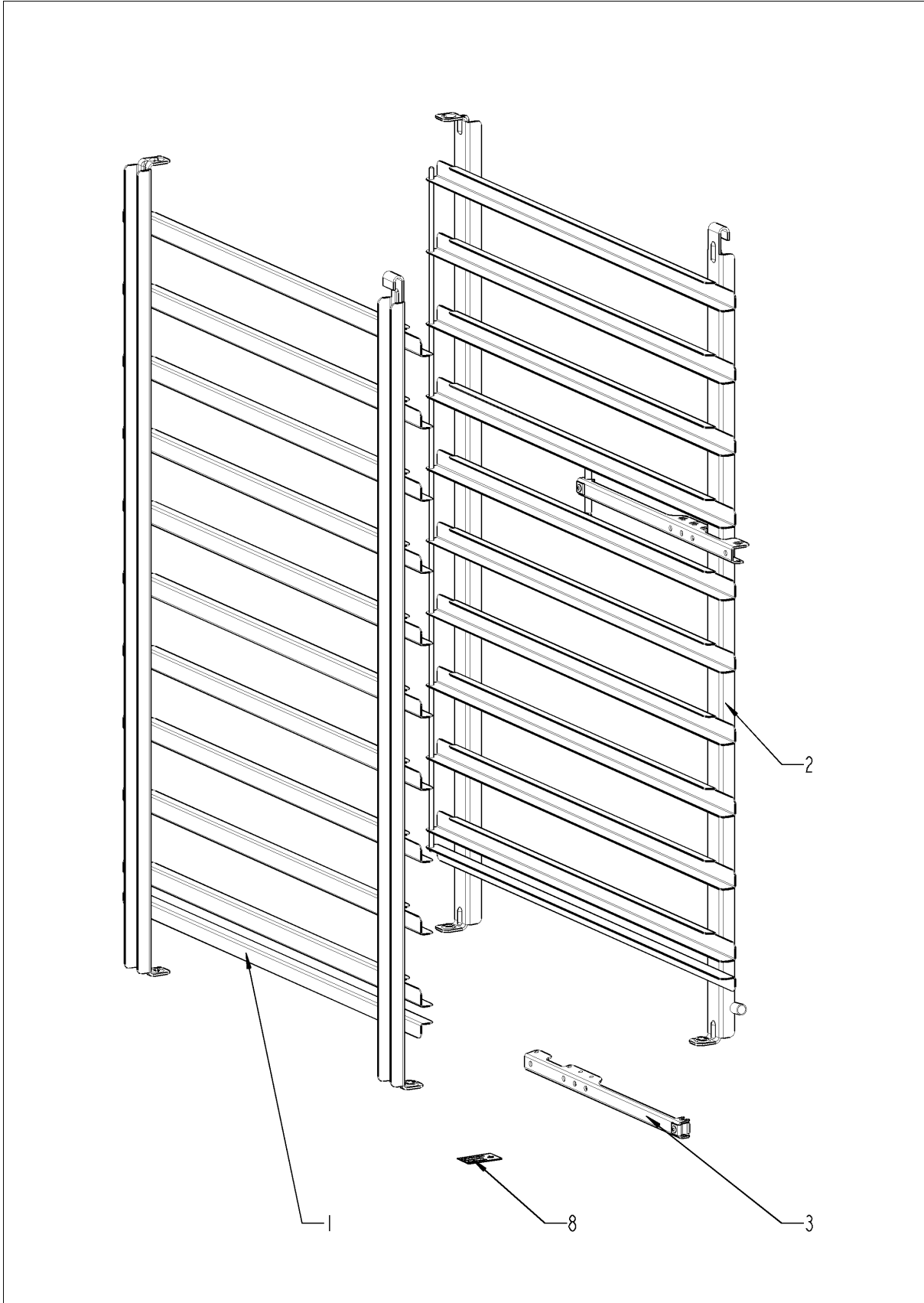
## CleanJet + Care



## CleanJet + Care

| Pos. | Part No.  | Description                            | Qty. |
|------|-----------|--|------|
| 1    | 56.00.185 | Pump f. cleaning UP30                  | 1    |
| 2    | 12.00.898 | Housing f. Cleaning pump               | 1    |
| 3    | 1004.0666 | Hex screw M4x10                        | 1    |
| 4    | 56.00.166 | Pressure hose f. cleaning              | 1    |
| 5    | 2066.0518 | Hose clamp 30mm                        | 1    |
| 6    | 2066.0521 | Hose clamp 27mm                        | 1    |
| 7    | 56.00.605 | Suction hose f. cleaning               | 1    |
| 8    | 2066.0518 | Hose clamp 30mm                        | 2    |
| 11   | 10.00.980 | EJOT PT-Screw K30x10                   | 4    |
| 12   | 56.00.492 | Care container table unit              | 1    |
| 13   | 56.00.462 | Bushing care container/pump            | 1    |
| 14   | 10.00.984 | Hose clamp CLIC d=27.5mm               | 2    |
| 15   | 56.00.451 | Pump f. CareControl DPS 35             | 1    |
| 16   | 56.00.534 | Care hose 1                            | 1    |
| 17   | 2066.0518 | Hose clamp 30mm                        | 1    |
| 18   | 40.02.965 | Cable harness solenoid valve / SC-pump | 1    |
| 19   | 2067.0164 | Pressure hose ø10mm 650mm long         | 1    |
| 20   | 10.00.873 | Hose clamp CLIC d=15.5mm               | 1    |
| 21   | 56.00.537 | Pipe f. Care hose                      | 1    |
| 22   | 10.00.983 | Hose clamp CLIC d=23mm                 | 1    |
| 23   | 56.00.477 | Care hose 2                            | 1    |
| 24   | 10.00.605 | Hose clamp ø25.3                       | 1    |
| 25   | 10.00.979 | Cable clamp D=22                       | 1    |
| 26   | 1005.2000 | Interlocking tooth screw M5x8          | 1    |
| 29   | 56.00.488 | Drawer Care container                  | 1    |
| 32   | 56.00.375 | Cover for pump                         | 1    |
| 33   | 10.01.214 | Interlocking tooth screw M5x10         | 2    |
| 35   | 2067.0050 | Pressure hose d10mm                    | .86  |

## Standard accessory



## **Standard accessory**

| <b>Pos.</b> | <b>Part No.</b> | <b>Description</b>                     | <b>Qty.</b> |
|-------------|-----------------|--|-------------|
| 3           | 60.71.022       | Positioning support f. core sensor     | 1           |
| 8           | 10.01.193       | Sticker set                            | 1           |
| 10          | 60.71.379       | Water connection kit, table unit E/USA | 1           |
| 10          | 60.71.379       | Water connection kit, table unit E/USA | 1           |

## Index

| <b>Part-no.</b> | <b>Description</b>                            | <b>Page</b> |
|-----------------|---|-------------|
| 22.00.744       | Air baffle .....                              | 21          |
| 40.02.684       | Air inlet filter cpl. ....                    | 31          |
| 22.00.915       | Air inlet pipe .....                          | 11          |
| 40.02.641       | Auxilliary contact B&J HN10 N/O .....         | 9           |
| 16.01.926       | Back panel .....                              | 31          |
| 54.00.357       | Ball valve drain SCC cpl. ....                | 33          |
| 16.01.146       | Bracket for door contact switch .....         | 29          |
| 40.03.996       | Bus cable 1.15m .....                         | 7           |
| 56.00.462       | Bushing care container/pump .....             | 35          |
| 50.00.303       | Bushing drip collector .....                  | 31          |
| 20.01.411       | Bushing for motor mounting bar .....          | 19          |
| 10.00.979       | Cable clamp D=22 .....                        | 35          |
| 10.00.111       | Cable clip long .....                         | 11, 19      |
| 40.03.981       | Cable clock switch USA .....                  | 9           |
| 40.03.482       | Cable control harness .....                   | 9           |
| 40.02.965       | Cable harness solenoid valve / SC-pump .....  | 35          |
| 40.03.516       | Cable MMI - CPU .....                         | 5           |
| 40.03.515       | Cable MMI - TFT .....                         | 5           |
| 40.03.467       | Cable On-Off switch MMI .....                 | 5           |
| 10.00.414       | Cable strap black 120° .....                  | 13          |
| 10.01.076       | Cap nut M5*A2 .....                           | 17, 21      |
| 10.00.745       | Cap nut M6*A2 .....                           | 29, 33      |
| 56.00.492       | Care container table unit .....               | 35          |
| 56.00.534       | Care hose 1 .....                             | 35          |
| 56.00.477       | Care hose 2 .....                             | 35          |
| 50.00.156       | Clamp f. hand shower roll guide .....         | 33          |
| 10.00.087       | Clamp strap f. sensor .....                   | 21          |
| 50.00.296       | Clip f. drip collector .....                  | 31          |
| 54.01.191       | Collecting pan .....                          | 33          |
| 2001.0109       | Compression spring .....                      | 25          |
| 50.01.213       | Connect. pipe f. hand shower roll guide ..... | 33          |
| 40.03.322       | Contacto assembly .....                       | 9           |

## Index

| <b>Part-no.</b> | <b>Description</b>                            | <b>Page</b> |
|-----------------|---|-------------|
| 40.03.669       | Contactora B&J K3-40B00 190 R .....           | 9           |
| 87.01.005       | Control panel insert with overlay *RAT* ..... | 5           |
| 42.00.080       | Control pcb *Sicotronic* .....                | 7           |
| 42.00.112       | Control pcb *TFT* .....                       | 5           |
| 40.03.348       | Control transformer T1 .....                  | 9           |
| 40.03.257       | Converter 230VAC 24VDC .....                  | 7           |
| 40.03.428       | Cooling fan .....                             | 7           |
| 1315.0104       | Copper washer 16x20x1,5 .....                 | 21          |
| 1005.1966       | Countersunk screw Torx M5x16 .....            | 27          |
| 1006.1962       | Countersunk screw Torx M6x16 .....            | 25          |
| 1003.2265       | Countersunk self tapping screw 4,2x16 .....   | 31          |
| 40.03.755       | Cover behind 2 UL .....                       | 9           |
| 16.01.910       | Cover f. control pcb w. gasket .....          | 5           |
| 16.00.329       | Cover f. USB interface .....                  | 31          |
| 40.04.122       | Cover for Fuse *UL* .....                     | 9           |
| 56.00.375       | Cover for pump .....                          | 35          |
| 16.01.488       | Crossbar below .....                          | 31          |
| 16.00.180       | Crossbar top .....                            | 31          |
| 22.00.361       | Deep-draw f. air baffle .....                 | 23          |
| 16.02.062       | Dial f. pulse generator .....                 | 5           |
| 24.00.093       | Door .....                                    | 25          |
| 24.00.137       | Door bolt .....                               | 25          |
| 24.00.048       | Door bolt .....                               | 25          |
| 24.00.142       | Door catch .....                              | 25          |
| 24.01.800       | Door drip collector .....                     | 27          |
| 20.01.802       | Door gasket .....                             | 21          |
| 24.00.152       | Door handle .....                             | 25          |
| 24.00.176       | Door lock .....                               | 25          |
| 24.00.223       | Door mounting support bottom .....            | 25          |
| 24.00.133       | Door mounting support top .....               | 25          |
| 24.00.146       | Door setting bolt .....                       | 27          |
| 40.00.335       | Door switch .....                             | 29          |

## Index

| <b>Part-no.</b> | <b>Description</b>                              | <b>Page</b> |
|-----------------|---|-------------|
| 24.01.188       | Drain door drip collector .....                 | 27          |
| 22.00.960       | Drain hose for humidity control .....           | 11          |
| 44.01.221       | Drain hose steam generator .....                | 13          |
| 50.01.191       | Drain pipe with bushing .....                   | 31          |
| 56.00.488       | Drawer Care container .....                     | 35          |
| 50.00.286       | Drip collector .....                            | 31          |
| 40.03.282       | Drip protection for air inlet filter 1 UL ..... | 9           |
| 40.01.329       | Dry up protector 183° .....                     | 9           |
| 40.03.731       | Earth terminal WKN 35SL/U .....                 | 9           |
| 10.01.218       | Edge protection profile .....                   | 9           |
| 10.00.980       | EJOT PT-Screw K30x10 .....                      | 35          |
| 10.00.103       | EJOT PT-screw KA 3.5x10 .....                   | 31          |
| 10.00.460       | EJOT PT-Screw Torx 3,5x14 .....                 | 31          |
| 44.00.207       | Emptying pump .....                             | 13          |
| 40.03.373       | Fan housing *UL* .....                          | 7           |
| 40.03.378       | Fan motor .....                                 | 19          |
| 22.00.828       | Fan wheel .....                                 | 19          |
| 44.01.407       | Filling level electrode 90mm .....              | 13          |
| 44.01.168       | Fixing angle steam generator .....              | 13          |
| 44.01.181       | Fixing angle steam generator .....              | 13          |
| 40.03.780       | Fixing clip core temp. cable .....              | 23          |
| 40.03.756       | Fixing clip f. pcb .....                        | 7           |
| 40.03.533       | Fixing clip f. pcb .....                        | 7           |
| 24.00.502       | Fixing device f. magnet with magnet .....       | 27          |
| 44.00.232       | Fixing device f. pump steam generator .....     | 13          |
| 22.00.721       | Flange f. motor shaft gasket .....              | 19          |
| 56.00.435       | Frame for drawer CareControl .....              | 31          |
| 16.01.857       | Front panel .....                               | 31          |
| 4001.0224       | Fuse 6.35x32mm .....                            | 9           |
| 40.01.487       | Fuse holder 2pol .....                          | 9           |
| 40.02.512       | Fuse holder 2x6.3A .....                        | 9           |
| 40.01.588       | Fuse SC-8A 10x38 .....                          | 9           |



## Index

| <b>Part-no.</b> | <b>Description</b>                                     | <b>Page</b> |
|-----------------|--|-------------|
| 16.01.748       | Gasket f. breather tube d=63mm .....                   | 31          |
| 40.03.415       | Gasket f. heating assembly .....                       | 17          |
| 44.00.280       | Gasket f. heating element+Level elektrode insert ..... | 13          |
| 22.00.881       | Gasket f. hum. meas. Pipe .....                        | 11          |
| 54.01.168       | Gasket f. inspection lid quenching .....               | 33          |
| 40.00.091       | Gasket frame w. glass a. gaskets .....                 | 21          |
| 2022.0101       | Grommet d8mm .....                                     | 33          |
| 3024.0201       | Halogen bulb 300°C .....                               | 21          |
| 22.00.730       | Hand protection .....                                  | 23          |
| 50.00.130       | Hand shower .....                                      | 33          |
| 50.00.140       | Hand shower roll guide .....                           | 33          |
| 40.03.932       | Heat sink big 2 SSR .....                              | 7           |
| 40.03.639       | Heating assembly .....                                 | 17          |
| 44.01.347       | Heating element .....                                  | 13          |
| 44.01.374       | Heating element w/o pipe .....                         | 13          |
| 1104.0122       | Hex combination nut M4 galv. ....                      | 11, 13      |
| 1104.0121       | Hex nut M4 self locking .....                          | 7           |
| 10.00.100       | Hex nut M4, self-locking .....                         | 21          |
| 10.01.065       | Hex nut M5 .....                                       | 9, 19       |
| 10.00.709       | Hex nut M6 w. locking .....                            | 9, 13, 19   |
| 3014.0302       | Hex nut M10 for dry-up protector .....                 | 9           |
| 3014.0327       | Hex nut M10x1,0 .....                                  | 9, 21       |
| 10.00.612       | Hex nut M16 flat .....                                 | 21          |
| 1004.0666       | Hex screw M4x10 .....                                  | 35          |
| 10.00.109       | Hex screw M5x23 .....                                  | 17          |
| 1006.0762       | Hex screw M6x10 .....                                  | 13          |
| 1006.0760       | Hex screw M6x16 .....                                  | 25          |
| 10.00.099       | Hex screw M8x12 .....                                  | 25          |
| 10.00.565       | Hex screw M8x20 .....                                  | 19          |
| 10.00.975       | Hex screw M10x35 .....                                 | 29          |
| 1004.2160       | Hex self tapping screw 4,2x16 .....                    | 31          |
| 10.00.992       | Hex self tapping screw B4,2x32 .....                   | 31          |

## Index

| <b>Part-no.</b> | <b>Description</b>                           | <b>Page</b> |
|-----------------|--|-------------|
| 24.00.141       | Holding bracket f. door catch .....          | 25          |
| 2066.0205       | Hose clamp 8-16x9 mm SW 7mm .....            | 33          |
| 2066.0521       | Hose clamp 27mm .....                        | 35          |
| 2066.0518       | Hose clamp 30mm .....                        | 13, 35      |
| 2066.0519       | Hose clamp 35,6mm .....                      | 13          |
| 2066.0504       | Hose clamp 40-60mm .....                     | 13          |
| 2066.0516       | Hose clamp 60-80 mm .....                    | 33          |
| 10.00.873       | Hose clamp CLIC d=15.5mm .....               | 35          |
| 10.00.983       | Hose clamp CLIC d=23mm .....                 | 35          |
| 10.00.984       | Hose clamp CLIC d=27.5mm .....               | 35          |
| 2066.0527       | Hose clamp ø14mm .....                       | 11, 15      |
| 2066.0530       | Hose clamp ø16.4mm .....                     | 15          |
| 10.00.605       | Hose clamp ø25.3 .....                       | 35          |
| 2066.0526       | Hose clamp ø46mm .....                       | 13          |
| 22.00.525       | Hose set f. humidity control .....           | 11          |
| 12.00.898       | Housing f. Cleaning pump .....               | 35          |
| 22.00.725       | Humidity control cpl. ....                   | 11          |
| 24.00.164       | Inner glass pane .....                       | 27          |
| 54.01.148       | Inspection lid, quenching nozzle, B2 .....   | 33          |
| 40.04.046       | Interface cable USB 1.0m .....               | 31          |
| 1005.2000       | Interlocking tooth screw M5x8 .....          | 25, 35      |
| 10.01.214       | Interlocking tooth screw M5x10 .....         | 29, 35      |
| 20.01.755       | Isolation for mounting plate for motor ..... | 19          |
| 2062.0331       | Junction pressure hose GS 10 .....           | 15          |
| 2760.1370       | Latch hook for air baffle .....              | 23          |
| 2920.1300       | Level elektrode insert .....                 | 13          |
| 24.00.504       | Lock cover .....                             | 25          |
| 50.00.086       | Locking plate f. water distribution .....    | 33          |
| 40.04.034       | Loudspeaker K 64 WPT .....                   | 7           |
| 12.01.133       | Lower part of pedestal .....                 | 29          |
| 40.03.410       | Mating flange f. heating assembly .....      | 17          |
| 40.01.604       | Meat probe sensor .....                      | 21          |

## Index

| <b>Part-no.</b> | <b>Description</b>                                  | <b>Page</b> |
|-----------------|---|-------------|
| 42.00.081       | MMI pcb .....                                       | 5           |
| 22.00.083       | Motor shaft gasket .....                            | 19          |
| 40.03.664       | Mounting base for control pcb .....                 | 7           |
| 22.00.882       | Mounting device f. pressure sensor .....            | 11          |
| 40.03.371       | Mounting device heat sink SSR .....                 | 7           |
| 22.00.722       | Mounting support f. gasket flange .....             | 19          |
| 40.03.404       | Mounting support transformer .....                  | 9           |
| 50.00.078       | Non return valve DW16/DN12 .....                    | 33          |
| 50.00.844       | Nozzle f. moistening .....                          | 17          |
| 10.00.512       | O-ring for ball valve drain 26x3.5 .....            | 33          |
| 10.00.511       | O-ring for ball valve drain 46x3.5 .....            | 33          |
| 22.00.837       | O-ring for humidity control .....                   | 11          |
| 16.01.965       | Opening mechanism for panel insert .....            | 29          |
| 1008.0768       | Ornamental screw M8x16 .....                        | 25          |
| 1008.0769       | Ornamental screw M8x30 .....                        | 25          |
| 22.00.850       | Outer humidity meas. Piece .....                    | 11          |
| 54.01.117       | Outlet sieve .....                                  | 21          |
| 10.00.449       | Pan head screw M6x16 .....                          | 33          |
| 10.00.507       | Pan head screw Torx 5/16" T20 .....                 | 7           |
| 10.00.365       | Pan head screw Torx M3x20 .....                     | 9           |
| 10.00.061       | Pan head screw Torx T20 M4x12 .....                 | 7           |
| 56.00.537       | Pipe f. Care hose .....                             | 35          |
| 50.00.085       | Plug-in spring f. hand shower roll guide .....      | 33          |
| 60.71.022       | Positioning support f. core sensor .....            | 37          |
| 2067.0050       | Pressure hose d10mm .....                           | 33, 35      |
| 56.00.166       | Pressure hose f. cleaning .....                     | 35          |
| 2067.0164       | Pressure hose ø10mm 650mm long .....                | 35          |
| 3017.1011       | Pressure sensor for humidity control Huba 401 ..... | 11          |
| 40.00.404       | Pulse generator .....                               | 5           |
| 2118.1000       | Pump connection spout .....                         | 15          |
| 8354.1320       | Pump connection spout cpl. ....                     | 13          |
| 56.00.451       | Pump f. CareControl DPS 35 .....                    | 35          |

## Index

| <b>Part-no.</b> | <b>Description</b>                          | <b>Page</b> |
|-----------------|---|-------------|
| 56.00.185       | Pump f. cleaning UP30 .....                 | 35          |
| 40.00.098       | Reflector f. interior light .....           | 21          |
| 10.00.515       | Rivet 3,2x5 A4 .....                        | 23          |
| 1603.0166       | Rivet 3,2x7,9 CNS closed .....              | 31          |
| 1604.0167       | Rivet 4x10 .....                            | 23          |
| 10.00.041       | Rivet nut M5 hexagon closed .....           | 27          |
| 10.00.989       | Rivet with screw .....                      | 7           |
| 54.01.141       | Rubber form piece venting pipe .....        | 33          |
| 40.01.482       | Safety temperature limiter 365°C .....      | 9, 21       |
| 40.01.317       | Screen core temperature sensor .....        | 21          |
| 40.03.782       | Screen interior cabinet sensor .....        | 21          |
| 42.00.128       | SD-memory card 4GB .....                    | 7           |
| 16.01.908       | Sealing f. panel insert .....               | 5           |
| 16.00.128       | Side panel left .....                       | 31          |
| 16.00.127       | Side panel right .....                      | 31          |
| 2110.1008       | Silicon hose ø10x2mm .....                  | 15          |
| 24.00.171       | Silicone buffer 7mm for door .....          | 27          |
| 50.01.146       | Single solenoid valve .....                 | 33          |
| 24.00.147       | Sleeve for door bolt top .....              | 27          |
| 1104.0820       | Snap nut 4,2mm .....                        | 29, 31      |
| 40.00.453       | Solid state relais .....                    | 7           |
| 10.00.243       | Spacer M4x8 .....                           | 7           |
| 24.01.100       | Spring clip f. door lock .....              | 25          |
| 10.01.049       | Square necked mushroom head bolt 6x30 ..... | 19          |
| 1107.0103       | Star lock ø3 .....                          | 17          |
| 1107.0100       | Star lock ø4 .....                          | 31          |
| 44.00.941       | Steam generator insulated .....             | 13          |
| 2112.1006       | Steam hose 50x7mm .....                     | 13          |
| 10.01.193       | Sticker set .....                           | 37          |
| 2120.1259       | Stop plug 10mm .....                        | 15          |
| 56.00.605       | Suction hose f. cleaning .....              | 35          |
| 22.00.491       | Surge guard for Meat probe sensor .....     | 23          |

## Index

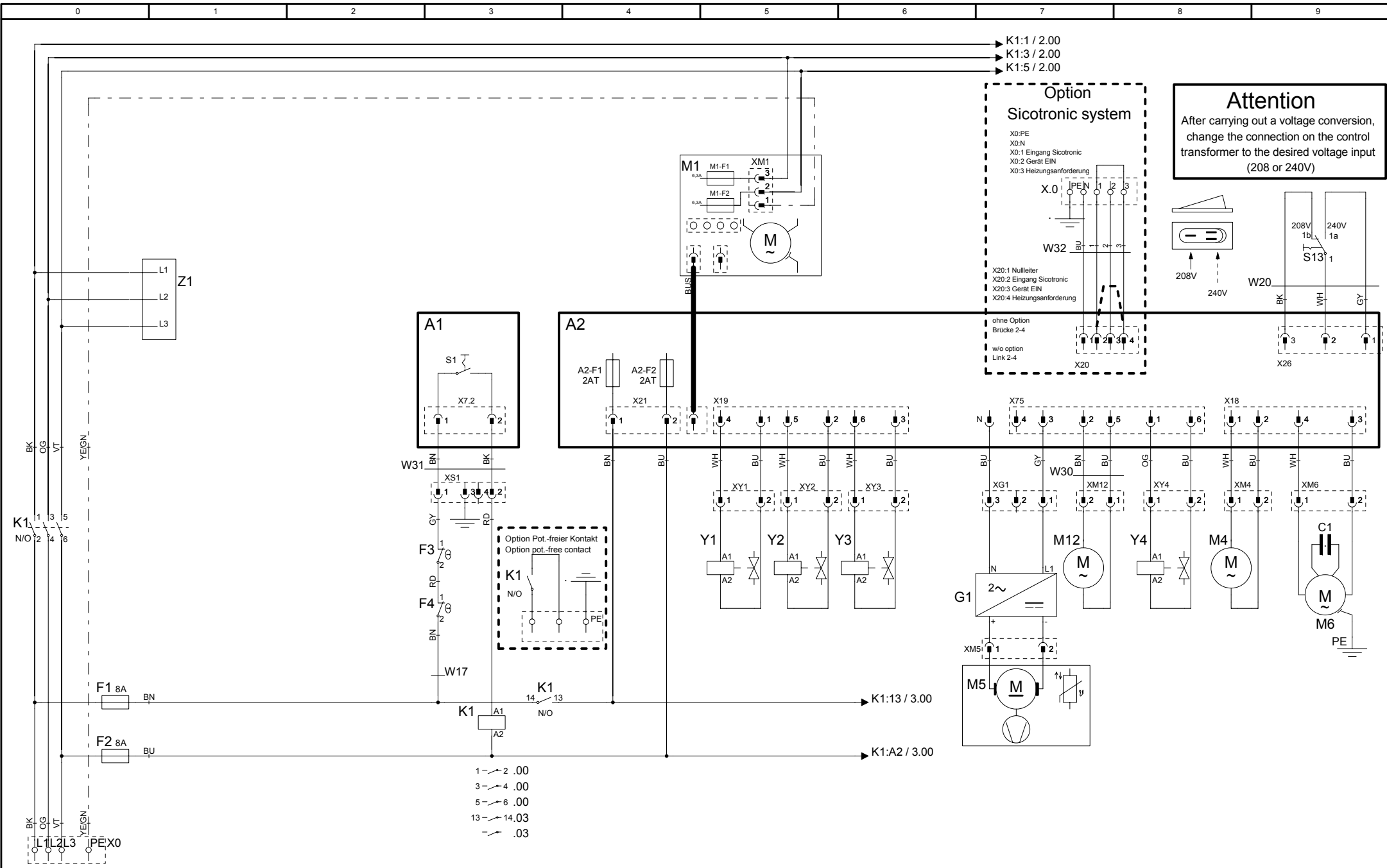
| <b>Part-no.</b> | <b>Description</b>                               | <b>Page</b> |
|-----------------|--|-------------|
| 50.00.313       | T-fitting water connection .....                 | 33          |
| 40.03.729       | Terminal block grey WKN 35/U .....               | 9           |
| 40.00.290       | Thermocouple humidity .....                      | 21          |
| 40.04.096       | Thermocouple interior cabinet B1 .....           | 21          |
| 40.04.106       | Thermocouple steam generator *B5* .....          | 13          |
| 4005.0101       | Tie rap 145 mm .....                             | 15          |
| 1204.0120       | Tooth lock washer A4,3 .....                     | 7           |
| 1206.0120       | Tooth lock washer A6,4 .....                     | 29          |
| 16.02.152       | Top cover .....                                  | 31          |
| 50.01.050       | Triple solenoid valve .....                      | 33          |
| 10.01.004       | Truss head screw with flange MLF A2 M6x20 .....  | 33          |
| 50.00.751       | Tulip for handshower with tape .....             | 31          |
| 12.00.516       | Turning lock f. lower part of pedestal .....     | 29          |
| 50.00.846       | Union nut M12x13.2 N .....                       | 17          |
| 12.00.205       | Upper part of pedestal .....                     | 29          |
| 40.02.425       | Varistor .....                                   | 9           |
| 22.00.767       | Vent cover .....                                 | 11, 29      |
| 54.00.738       | Ventilation pipe .....                           | 33          |
| 8354.1304       | Venting valve for steam generator .....          | 33          |
| 10.00.744       | Washer A4,3 *A4 .....                            | 23          |
| 1306.0222       | Washer A6,4x15x1,5 .....                         | 13          |
| 1308.0162       | Washer A8,4 .....                                | 19          |
| 1308.0160       | Washer A8,4 .....                                | 25          |
| 60.71.379       | Water connection kit, table unit E/USA .....     | 37          |
| 50.00.070       | Water distribution hor roll guide con. ....      | 33          |
| 50.00.071       | Water distribution hor. w/o roll guide con. .... | 33          |
| 1900.0202       | Water filter .....                               | 33          |
| 50.01.523       | Water volume sensor .....                        | 33          |
| 40.03.531       | Wiring interior light .....                      | 21          |



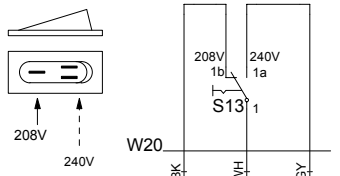
## Deckblatt Elektrische Dokumentation, Cover sheet electrical Documentation

Die Elektrische Dokumentation besteht aus: 1. diesem Deckblatt, 2. dem Schaltplan und 3. der Legende der elektrischen Bauteile  
The electric documentation contains: 1. this cover sheet, 2. the wiring diagram and 3. the bill of material (BOM)

|  |                      |  |      |
|--|----------------------|--|------|
| <b>Deckblatt-Nr.</b><br><b>Front Page No.</b>      | 75-21218             | <b>Version</b>                         | 1    |
| <b>Typ / Type</b>                                  | SCC WE 101E          |  |      |
| <b>Schaltplan</b><br><b>Wiring diagram</b>         | 76-00466             | <b>Version</b>                         | 1    |
| <b>Spannung (SPL)</b><br><b>Voltage</b>            | 3AC208 V 60 Hz       |  |      |
| <b>Legende</b><br><b>Legend electr. components</b> | 78-00739             | <b>Version</b>                         | 1    |
| <b>Geräteserialnr.</b><br><b>Serial number</b>     | E11SH1102            | <b>Version</b>                         | 1102 |
| <b>Erstellt am</b><br><b>Created at</b>            | Jul 19, 2011 9:15 AM | <b>Ersteller</b><br><b>Creator</b>     | SCHD |
| <b>Gültig ab</b><br><b>Valid from</b>              | Aug 30, 2011 3:30 PM | <b>Änderung</b><br><b>Modification</b> |      |



**Attention**  
 After carrying out a voltage conversion, change the connection on the control transformer to the desired voltage input (208 or 240V)



- 1 → 2 .00
- 3 → 4 .00
- 5 → 6 .00
- 13 → 14.03
- .03

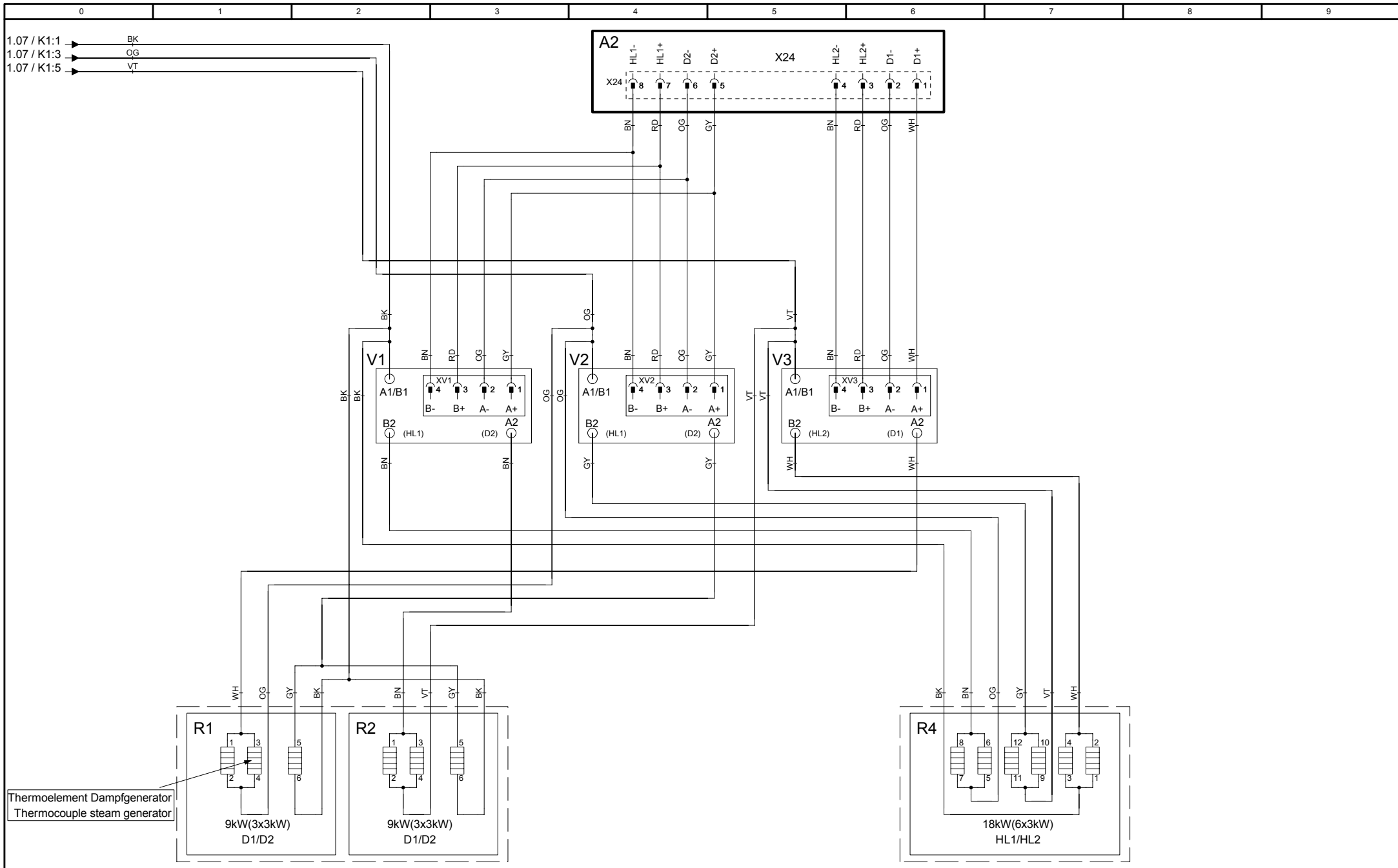
|          |   |
|----------|---|
| 76-00466 |   |
| Version  | 1 |

|                           |  |
|---------------------------|--|
| MODUL 1<br>Leistung/Power |  |
|---------------------------|--|

|                |  |
|----------------|--|
| SCC WE 101E-UL |  |
| 3AC208 V 60 Hz |  |

|              |            |
|--------------|------------|
| Erstellt von | SCHD       |
| Created by   |            |
| Datum        | 05.10.2011 |
| Date         |            |
| Blatt        | 1          |
| Page         |            |





|          |   |
|----------|---|
| 76-00466 | 1 |
| Version  | 1 |

|                                   |
|-----------------------------------|
| <b>MODUL 2</b><br>Heizung/Heating |
|-----------------------------------|

|   |
|---|
| <b>SCC WE 101E-UL</b><br>3AC208 V 60 Hz |
|---|

|              |            |
|--------------|------------|
| Erstellt von | SCHD       |
| Created by   |            |
| Datum        | 05.10.2011 |
| Date         |            |
| Blatt        | 2          |
| Page         |            |



**Positionsliste****Bill of material**

| <b>Name<br/>Name</b> | <b>Artikelnr.<br/>Item number</b> | <b>Artikelbezeichnung</b>  | <b>Item description</b>   | <b>Module<br/>Modul</b> |
|----------------------|-----------------------------------|--|---|-------------------------|
| -A1                  | 42.00.081                         | Interface Platine  | Interface PCB   | Modul 1                 |
| -A2                  | 42.00.080                         | CPU SCC WE   | CPU SCC WE  | Modul 1                 |
| -A2-F1/F2            | 3019.0120                         | Sicherung A2 - 2AT   | Fuse A2 - 2AT   | Modul 1                 |
| -A2-F3               | 3019.0312                         | Sicherung A2 - 8AT   | Fuse A2 - 8AT   | Modul 3                 |
| -B1                  | 40.04.096                         | Thermoelement Garraum  | Thermocouple interior cabinet   | Modul 3                 |
| -B2                  | 54.01.148                         | Thermoelement Ablöschung   | Thermocouple quenching  | Modul 3                 |
| -B3                  | 40.01.604                         | Thermoelement Kerntemperatur   | Thermocouple core sensor  | Modul 3                 |
| -B4                  | 40.00.290                         | Thermoelement Feuchte  | Thermocouple humidity   | Modul 3                 |
| -B5                  | 40.04.106                         | Thermoelement Dampfgenerator   | Thermocouple steam generator  | Modul 3                 |
| -F1/F2               | 40.01.588                         | Steuersicherung  | Control fuse  | Modul 1                 |
| -F3                  | 40.01.329                         | Sicherheitstemperaturbegrenzer Gas:157°C/314°<br>F Elek.:183°C/360°F | Safety thermostat steam generator Gas: 157°C/<br>314°F Elec.: 183°C/360°F | Modul 1                 |
| -F4                  | 40.01.482                         | Sicherheitstemperaturbegrenzer 360°C/680°F                           | Safety thermostat interior cabinet 360°C/680°F                            | Modul 1                 |
| -G1                  | 40.03.257                         | Gleichrichter Kühllüfter   | DC converter cooling fan  | Modul 1                 |
| -H1                  | 3024.0201                         | Garraumbeleuchtung   | Interior cabinet light  | Modul 3                 |
| -K1                  | 40.03.669                         | Hauptschütz  | Main contactor  | Modul 1                 |
| -M1                  | 40.03.378                         | Lüftermotor  | Fan motor   | Modul 1                 |
| -M12                 | 56.00.451                         | Pumpe Pflegemittel   | Care pump   | Modul 1                 |
| -M4                  | 44.00.207                         | SC-Pumpe   | SC-pump   | Modul 1                 |
| -M5                  | 40.03.428                         | Kühllüfter   | Cooling fan   | Modul 1                 |
| -M6                  | 56.00.185                         | CleanJet Pumpe SCC WE  | CleanJet pump SCC WE  | Modul 1                 |
| -M7                  | 54.00.357                         | Kugelhahn Ablauf   | Drain valve   | Modul 3                 |
| -P1                  | 3017.1011                         | Differenzdrucksensor   | Differential pressure sensor  | Modul 3                 |

|                |                   |          |                       |              |                 |
|----------------|-------------------|----------|-----------------------|--------------|-----------------|
| Änderungsdatum | <b>30.08.2011</b> | Name     | <b>SCC WE 101E-UL</b> | Dokument-Nr. | <b>78-00739</b> |
| Erzeuger       | <b>ADT</b>        | Spannung | <b>3AC208 V 60 Hz</b> | Version      | <b>1</b>        |

**Positionsliste****Bill of material**

| <b>Name<br/>Name</b> | <b>Artikelnr.<br/>Item number</b> | <b>Artikelbezeichnung</b>  | <b>Item description</b>  | <b>Module<br/>Modul</b> |
|----------------------|-----------------------------------|--|--|-------------------------|
| -R1                  | 44.01.347                         | Dampfheizkörper  | Heating element steam  | Modul 2                 |
| -R2                  | 44.01.374                         | Dampfheizkörper  | Heating element steam  | Modul 2                 |
| -R4                  | 40.03.639                         | Heißluftheizkörper   | Heating element hot air  | Modul 2                 |
| -S1                  | TEXT                              | Ein/Aus Schalter   | ON/OFF switch  | Modul 1                 |
| -S11                 | 50.01.523                         | CDS-Sensor   | CDS-sensor   | Modul 3                 |
| -S2                  | 44.01.407                         | Niveauelektrode  | Water level electrode  | Modul 3                 |
| -S3                  | 40.00.335                         | Türkontaktschalter   | Door contact switch  | Modul 3                 |
| -S6                  | 40.00.404                         | Zentrales Einstellrad  | Central dial   | Modul 3                 |
| -T1                  | 40.03.348                         | Steuertrafo  | Control transformer  | Modul 3                 |
| -T1-F1               | 3019.0120                         | Sicherung Steuertrafo T1 2AT   | Fuse control transformer T1 2AT                                  | Modul 3                 |
| -T1-F2               | 3019.0126                         | Sicherung Steuertrafo T1 5AT   | Fuse control transformer T1 5AT                                  | Modul 3                 |
| -T2                  | 40.04.034                         | SCC WE: Lautsprecher / CMP: Alarmsummer                                | SCC WE: Speaker / CMP: Buzzer                                    | Modul 3                 |
| -V1-V12              | 40.00.453                         | Leistungshalbleiter  | Solid state relais   | Modul 2                 |
| -W11                 | 40.03.531                         | Kabel: Garraumbeleuchtung  | Cable: interior cabinet light                                    | Modul 3                 |
| -W17                 | 40.03.482                         | Kabel: Steuerstamm   | Cable: control harness   | Modul 1                 |
| -W20                 | 40.03.981                         | Kabel: Spannungswahlschalter UL  | Cable: selector switch UL  | Modul 1                 |
| -W30                 | 40.02.965                         | Kabel: Adapterkabel Pumpe Pflegemittel 61-102                          | Cable: adapter care pump 61-102                                  | Modul 1                 |
| -W31                 | 40.03.467                         | Kabel: Ein/Aus Schalter  | Cable: ON/OFF switch   | Modul 1                 |
| -X20                 | 40.04.180                         | Sicotronic-Klemme  | Sicotronic link  | Modul 1                 |
| -Y1/Y3/Y4            | 50.01.050                         | Y1: Magnetventil Füllen / SCC WE Y3:<br>Beschwadung / Y4: Pflegemittel | Y1: Solenoid valve filling / SCC WE Y3:<br>moistening / Y4: care | Modul 1                 |
| -Y2                  | 50.01.146                         | Magnetventil Ablöschung  | Solenoid valve quenching   | Modul 1                 |
| -Y5                  | 22.00.725                         | Klimaventil  | Clima valve  | Modul 3                 |

|                |                   |          |                       |              |                 |
|----------------|-------------------|----------|-----------------------|--------------|-----------------|
| Änderungsdatum | <b>30.08.2011</b> | Name     | <b>SCC WE 101E-UL</b> | Dokument-Nr. | <b>78-00739</b> |
| Erzeuger       | <b>ADT</b>        | Spannung | <b>3AC208 V 60 Hz</b> | Version      | <b>1</b>        |

## Positionsliste

### Bill of material

| <b>Name<br/>Name</b> | <b>Artikelnr.<br/>Item number</b> | <b>Artikelbezeichnung</b> | <b>Item description</b> | <b>Module<br/>Modul</b> |
|----------------------|-----------------------------------|---------------------------|-------------------------|-------------------------|
| -Z1                  | 40.02.425                         | Entstörfilter/Varistor    | Electronic noise filter | Modul 1                 |

|                |                   |          |                       |              |                 |
|----------------|-------------------|----------|-----------------------|--------------|-----------------|
| Änderungsdatum | <b>30.08.2011</b> | Name     | <b>SCC WE 101E-UL</b> | Dokument-Nr. | <b>78-00739</b> |
| Erzeuger       | <b>ADT</b>        | Spannung | <b>3AC208 V 60 Hz</b> | Version      | <b>1</b>        |