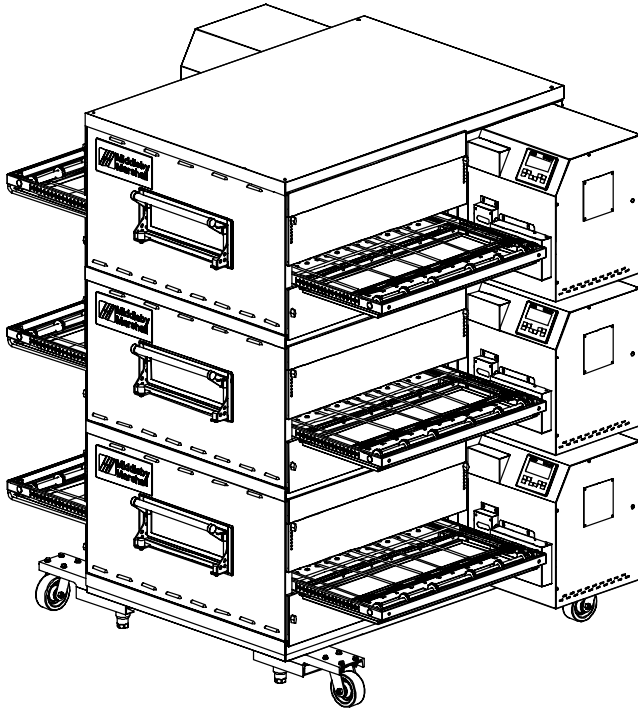


PS640/740/840 Series
Electric & Gas
Domestic & Std. Export
ENGLISH



P/N: 640
May, 2009 Rev. D



PS640#(\$# (\$ Series Ovens

Model


Combinations:

- Single Oven
- Double Oven (Two-Stack)
- Triple Oven (Three-Stack)

D5 FHG MANUAL

for domestic and standard export ovens

©2007 Middleby Marshall Inc.

 **Middleby Marshall** is a registered trademark of Middleby Marshall, Inc. All rights reserved.

Middleby Cooking Systems Group • 1400 Toastmaster Drive • Elgin, IL 60120 • (847)741-3300 • FAX (847)429-7508



NOTICE:

This parts manual should be kept in a prominent, easily reachable location.

Ovens are shipped from the factory configured for use with natural gas. If permitted by local, national and international codes, at the time of installation the oven may be converted to propane gas operation. This conversion requires the use of a Gas Conversion Kit that is supplied with the oven. For CE-approved ovens, the conversion is described in the *Installation* section of this Manual. For domestic and standard export ovens, instructions are included in the Gas Conversion Kit.

It is suggested to obtain a service contract with a Middleby Marshall Authorized Service Agent.

WARNING

POST, IN A PROMINENT LOCATION, THE EMERGENCY TELEPHONE NUMBER OF YOUR LOCAL GAS SUPPLIER AND INSTRUCTIONS TO BE FOLLOWED IN THE EVENT YOU SMELL GAS.

Instructions to be followed in the event the user smells gas shall be obtained by consulting the local gas supplier. If the smell of gas is detected, immediately call the emergency phone number of your local Gas Company. They will have personnel and provisions available to correct the problem.

WARNING

FOR YOUR SAFETY, DO NOT STORE OR USE GASOLINE OR OTHER FLAMMABLE VAPORS AND LIQUIDS IN THE VICINITY OF THIS OR ANY OTHER APPLIANCE.

WARNING

Improper installation, adjustment, alteration, service, or maintenance can cause property damage, injury, or death. Read the installation, operation, and maintenance instructions thoroughly before installing or servicing this equipment.

WARNING

DO NOT SPRAY AEROSOLS IN THE VICINITY OF THIS APPLIANCE WHILE IT IS IN OPERATION.

IMPORTANT

An electrical wiring diagram for the oven is located inside the machinery compartment.

IMPORTANT

It is the customer's responsibility to report any concealed or non-concealed damage to the freight company. Retain all shipping materials until it is certain that the equipment has not suffered concealed shipping damage.

NOTICE

CONTACT YOUR MIDDLEBY MARSHALL AUTHORIZED SERVICE AGENT TO INSTALL AND PERFORM MAINTENANCE AND REPAIRS AND IF NECESSARY TO CONVERT EQUIPMENT FOR USE WITH OTHER GASES. AN AUTHORIZED SERVICE AGENCY DIRECTORY IS SUPPLIED WITH YOUR OVEN.

NOTICE

Using any parts other than genuine Middleby Marshall factory manufactured parts relieves the manufacturer of all warranty and liability.

NOTICE

Middleby Marshall (Manufacturer) reserves the right to change specifications at any time.

NOTICE

The equipment warranty is not valid unless the oven is installed, started and demonstrated under the supervision of a factory certified installer.

NOTICE

THIS EQUIPMENT IS ONLY FOR PROFESSIONAL USE AND SHALL BE USED BY QUALIFIED PERSONNEL.

RETAIN THIS MANUAL FOR FUTURE REFERENCE.

MIDDLEBY MARSHALL
NO QUIBBLE LIMITED WARRANTY
(U.S.A. ONLY)

MIDDLEBY MARSHALL, HEREINAFTER REFERRED TO AS "THE SELLER", WARRANTS EQUIPMENT MANUFACTURED BY IT TO BE FREE FROM DEFECTS IN MATERIAL AND WORKMANSHIP FOR WHICH IT IS RESPONSIBLE. THE SELLER'S OBLIGATION UNDER THIS WARRANTY SHALL BE LIMITED TO REPLACING OR REPAIRING, AT SELLER'S OPTION, WITHOUT CHARGE, ANY PART FOUND TO BE DEFECTIVE AND ANY LABOR AND MATERIAL EXPENSE INCURRED BY SELLER IN REPAIRING OR REPLACING SUCH PART. SUCH WARRANTY SHALL BE LIMITED TO THE ORIGINAL PURCHASER ONLY AND SHALL BE EFFECTIVE FOR A PERIOD OF ONE YEAR FROM DATE OF ORIGINAL INSTALLATION, OR 18 MONTHS FROM DATE OF PURCHASE, WHICHEVER IS EARLIER, PROVIDED THAT TERMS OF PAYMENT HAVE BEEN FULLY MET.

This warranty is valid only if the equipment is installed, started, and demonstrated under the supervision of a factory-authorized installer.

Normal maintenance functions, including lubrication, cleaning, or customer abuse, are not covered by this **no quibble warranty**.

Seller shall be responsible only for repairs or replacements of defective parts performed by Seller's authorized service personnel. Authorized service agencies are located in principal cities throughout the contiguous United States, Alaska, and Hawaii. This warranty is valid in the 50 United States and is void elsewhere unless the product is purchased through Middleby International with warranty included.

The foregoing warranty is exclusive and in lieu of all other warranties, expressed or implied. There are no implied warranties of merchantability or of fitness for a particular purpose.

The foregoing shall be Seller's sole and exclusive obligation and Buyer's sole and exclusive remedy for any action, including breach of contract or negligence. In no event shall Seller be liable for a sum in excess of the purchase price of the item. Seller shall not be liable for any prospective or lost profits of Buyer.

This warranty is effective on Middleby Marshall equipment sold on, or after, February 15, 1995.

MIDDLEBY MARSHALL INC.
OVEN LIMITED WARRANTY
(Non U.S.A.)

The Seller warrants equipment manufactured by it to be free from defects in material and workmanship for which it is responsible. The Seller's obligation under this warranty shall be limited to replacing or repairing, at Seller's option, without charge, F.O.B. Seller's factory, any part found to be defective and any labor and material expense incurred by Seller in repairing or replacing such part. Such warranty is limited to a period of one year from date of original installation or 15 months from date of shipment from Seller's factory, whichever is earlier, provided that terms of payment have been fully met. All labor shall be performed during regular working hours. Overtime premium will be charged to the Buyer.

This warranty is not valid unless equipment is installed, started, and demonstrated under the supervision of a factory-authorized installer.

Normal maintenance functions, including lubrication, adjustment of airflow, thermostats, door mechanisms, microswitches, burners and pilot burners, and replacement of light bulbs, fuses and indicating lights, are not covered by warranty.

Any repairs or replacements of defective parts shall be performed by Seller's authorized service personnel. Seller shall not be responsible for any costs incurred if the work is performed by other than Seller's authorized service personnel.

When returning any part under warranty, the part must be intact and complete, without evidence of misuse or abuse, freight prepaid.

Seller shall not be liable for consequential damages of any kind which occur during the course of installation of equipment, or which result from the use or misuse by Buyer, its employees or others of the equipment supplied hereunder, and Buyer's sole and exclusive remedy against Seller for any breach of the foregoing warranty or otherwise shall be for the repair or replacement of the equipment or parts thereof affected by such breach.

The foregoing warranty shall be valid and binding upon Seller if and only if Buyer loads, operates and maintains the equipment supplied hereunder in accordance with the instruction manual provided to Buyer. Seller does not guarantee the process of manufacture by Buyer or the quality of product to be produced by the equipment supplied hereunder and Seller shall not be liable for any prospective or lost profits of Buyer.

THE FOREGOING WARRANTY IS EXCLUSIVE AND IN LIEU OF ALL OTHER EXPRESS AND IMPLIED WARRANTIES WHATSOEVER. SPECIFICALLY THERE ARE NO IMPLIED WARRANTIES OF MERCHANTABILITY OR OF FITNESS FOR A PARTICULAR PURPOSE.

The foregoing shall be Seller's sole and exclusive obligation and Buyer's sole and exclusive remedy for any action, whether in breach of contract or negligence. In no event shall seller be liable for a sum in excess of the purchase price of the item.

Table of Contents

	Page
SECTION 1 – DESCRIPTION	1
I. OVEN USES	1
II. OVEN COMPONENTS	1
A. Conveyor Motor Drive	1
B. Crumb Pans	1
C. Conveyor	1
D. End Plugs	1
E. Eyebrows	1
F. Window	1
G. Machinery Compartment Access Panel	1
H. Serial Plate	1
I. Control Panel	1
J. Photo Cell	1
K. Gas Burner	1
L. Blowers	1
M. Air Fingers	1
III. OVEN SPECIFICATIONS	2
A. Dimensions	2
B. General Specifications	2
C. Electrical Specifications for PS640 Gas Ovens	2
D. Gas Orifice and Pressure Specifications for PS640 Gas Ovens	2
SECTION 2 – D5 FHG'6 F95 ? 'CI H	3
Installation items and kits	3 - 11
Key Spare Parts	12
Cavity Assembly Components	13
Blower Assembly	14 - 15
Blower Belt Alignment Tool	16
Right Hand Control Compartment	17 - 18
Left Hand Gas Burner Compartment	19 - 21
Left Hand Electric Heater Compartment	22 - 23
PhotoEye Sensor Assembly	24
Conveyor Assembly, Single	25 - 26
Conveyor Assembly, Split Belt	27 - 28
Conveyor Assembly, Hearth Belt	29
Snorkel Kits	30 - 32
Lifting Tool	33
Wiring Diagram	34 - 35

NOTE

Wiring Diagrams are in back of this Manual.
The diagram for each oven is also on the lower
inner surface of its Control Console.

SECTION 1 – DESCRIPTION

I. OVEN USES

PS640 Series Ovens can be used to bake and/or cook a wide variety of food products, such as pizza, pizza –type products, cookies, sandwiches and others.

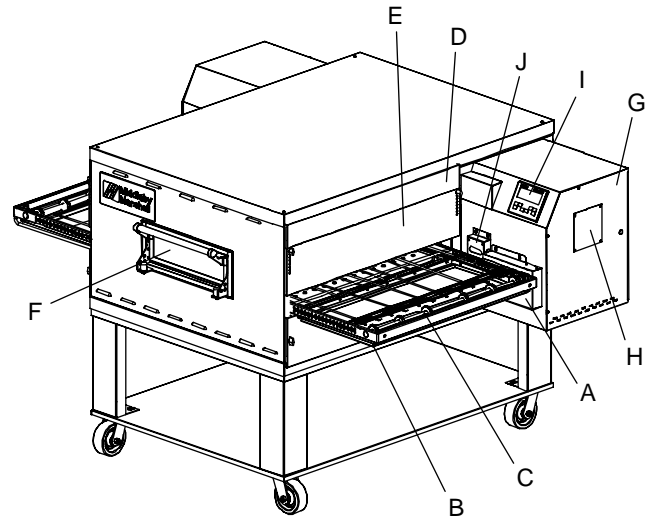
II. OVEN COMPONENTS – see Figure 1-1.

- A. **Conveyor Drive Motor:** Moves the conveyor.
- B. **Crumb Pans:** Catch crumbs and other materials that drop through the conveyor belt. One crumb pan is located at each end of the conveyor.
- C. **Conveyor:** Moves the food product through the oven.
- D. **End Plugs:** Allow access to the oven's interior.
- E. **Eyebrows:** Can be adjusted to various heights to prevent heat loss into the environment.
- F. **Window:** Allows the user to access food products inside the baking chamber.
- G. **Machinery Compartment Access Panel:** Allows access to the oven's interior and control components. No user serviceable parts are located in the machinery compartment.
- H. **Serial Plate:** Provides specifications for the oven that affect installation and operation. Refer to Section 2, [Installation](#) for details.
- I. **Control Panel:** Location of the operating controls for the oven. Refer to Section 3, [Operation](#), for details.
- J. **Photo Cell:** Turns oven On when beam is interrupted.

Not Shown:

- K. **Gas Burner (gas ovens):** Heat air, which is then projected to the air fingers by the blowers.
- L. **Blowers:** Project hot air from the burner or heating element to the air fingers.
- M. **Air Fingers:** Project streams of hot air onto the food product.

Figure 1-1. Oven Components



I. OVEN SPECIFICATIONS

Table 1-1 Dimensions	Single Oven	Double Oven	Triple Ove
Overall Height	48-3/16" (1219mm)	62-3/4" (1575mm)	78-11/16" (1981mm)
Overall Depth	60" (1524mm)	60" (1524mm)	60" (1524mm)
Overall Length	76-1/2" (1930mm)	76-1/2" (1930mm)	76-1/2" (1930mm)
Conveyor Width – belt width is 32"	33-1/2" (838mm) or 2 x 15" (381mm)	33-1/2" (838mm) or 2 x 15" (381mm)	33-1/2" (838mm) or 2 x 15" (381mm)
Shortened Exit Conveyor - 24"	Single Oven	Double Oven	Triple Ove
Overall Depth	52.75" (1340mm)	52.75" (1340mm)	52.75" (1340mm)
Overall Length	69" (1753mm)	69" (1753mm)	69" (1753mm)

* All other dimension are the same

Recommended Minimum Clearances

Rear of Oven to Wall	3" (76mm)	3" (76mm)	3" (76mm)
Control end of conveyor to Wall	1" (25.4mm)	1" (25.4mm)	1" (25.4mm)
Non-control end of conveyor to Wall)	1" (25.4mm)	1" (25.4mm)	1" (25.4mm)

Table 1-2: General Specifications PS640 GAS	32" Belt	24" Belt
Weight	1150 lbs. (522kg)	1150 lbs. (522kg)
Rated Heat Input	99,000 BTU (25,000kcal, 29 kW/hr)	99,000 BTU (25,000kcal, 29 kW/hr)
Maximum Operation Temperature	600°F / 315°C	600°F / 315°C
Air Blowers	Two Blowers at 1900 RPM	Two Blowers at 1900 RPM
Warmup Time	15 min.	15 min.

Table 1-3: Electrical specifications for PS640G gas ovens

Main Blower Voltage	Control Circuit Voltage	Phase	Freq	Current Draw	Poles	Wires
208-240VAC	208-240VAC	1Ph	50/60Hz	11-9.6 Amp	2 Pole	3 Wire (2 hot, 1 gd)

Table 1-4: Gas orifice and pressure specifications for PS640G gas ovens

Gas Type	Main Orifice I.D. PS640G	Supply (Inlet) Pressure	Orifice (Manifold) Pressure	Bypass Pressure
Natural	0.1065" (0.120mm)	6-8" W.C. (14.9 - 19.9mbar)	3.5" W.C. (8.7mbar)	0.25-0.3" W.C. (0.6-0.8 mbar)
Propane	0.067" (1.9mm)	11-14" W.C. (27.4 - 34.9mbar)	10.0" W.C. (24.9mbar)	0.9-1.0" W.C. (2.2-2.5 mbar)

IMPORTANT – Additional electrical information is provided on the oven's serial plate, and on the wiring diagram inside the machinery compartment.

GAS ORIFICE AND PRESSURE SPECIFICATIONS (PER OVEN CAVITY) - CE OVENS

Gas Type	Main Orifice dia.	Supply (Inlet) Pressure						Orifice (Manifold) Pressure	Rated Heat Input
		IT,PT,ES,SE, UK,CH,IT,AT, DK,FI I _{2H}	NL I _{2L}	DE I _{2E}	BE,FR I _{2E+}	SE,CH,AT,DK, FI,DE,NL I _{3B/P}	BE,IE,IT,PT, ES,UK I ₃₊		
G20	0.120" (3.05 mm)	20 mbar	--	20 mbar	20 mbar	--	--	11.21 mbar	22.36 kW-hr.
G25	0.120" (3.05 mm)	--	25 mbar	--	--	--	--	16.19 mbar	22.36 kW-hr.
G30	0.075" (1.9 mm)	--	--	--	--	29 or 50 mbar	28-30, 37 or 50 mbar	26.2 mbar	22.59 kW-hr.

NOTE

Wiring Diagrams are contained in Section 5 of this Manual and are also located inside the oven at the bottom of the Control Panel.

Additional electrical information is provided on the oven's serial plate.

This Manual Must Be Kept For Future Reference

SECTION 2 – INSTALLATION

WARNING – After any conversions, readjustments, or service work on the oven:

- Perform a gas leak test.
- Test for proper combustion and gas supply.
- Test for correct air supply, particularly to the burner blower.
- Check that the ventilation system is in operation.

WARNING - Keep the appliance area free and clear of combustibles.

WARNING – The oven must be installed on an even (level) non-flammable flooring and any adjacent walls must be non-flammable. Recommended minimum clearances are specified in the Description section of this manual.

WARNING – Do not obstruct the flow of combustion and ventilation air to and from your oven. There must be no obstructions around or underneath the oven. Constructional changes to the area where the oven is installed shall not affect the air supply to the oven.

CAUTION: To reduce the risk of fire, the appliance is to be mounted on floors of noncombustible construction with noncombustible flooring and surface finish and with no combustible material against the underside thereof, or on noncombustible slabs or arches having no combustible material against the underside thereof, such construction shall in all cases extend not less than 12 inches (304mm) beyond the equipment on all sides.

CAUTION: For additional installation information, contact your local Authorized Service Agent.

NOTE – There must be adequate clearance between the oven and combustible construction. Clearance must also be provided for servicing and for proper operation.

NOTE – An electrical wiring diagram for the oven is located inside the machinery compartment.

NOTE: All aspects of the oven installation, including placement, utility connections, and ventilation requirements, must conform with any applicable local, national, or international codes. These codes supersede the requirements and guidelines provided in this manual.

NOTE: In the USA, the oven installation must conform to local codes. In the absence of local codes, gas oven installations must conform with the National Fuel Gas Code, ANSI Z223.1. Gas and electric ovens, when installed, must be electrically grounded in accordance with local codes, or in the absence of local codes, with the National Electrical Code (NEC), or ANSI/NFPA70.

NOTE: In Canada, the oven installation must conform with local codes. In the absence of local codes, gas oven installations must conform with the Natural Gas Installation Code, CAN/CGA-B149.1, or the Propane Gas Installation Code, CAN/CGA-B149.2, as applicable. Gas and electric ovens, when installed, must be electrically grounded in accordance with local codes, or in the absence of local codes, with the Canadian Electrical Code CSA C22.2.

NOTE: In Australia, the oven installation must conform with local codes. In the absence of local codes, gas oven installations must conform with the requirements of AS5601/AG601, Gas, Electricity, and any other relevant statutory regulations.

PS640 24" OVEN INSTALLATION REQUIRED KITS AND EQUIPMENT

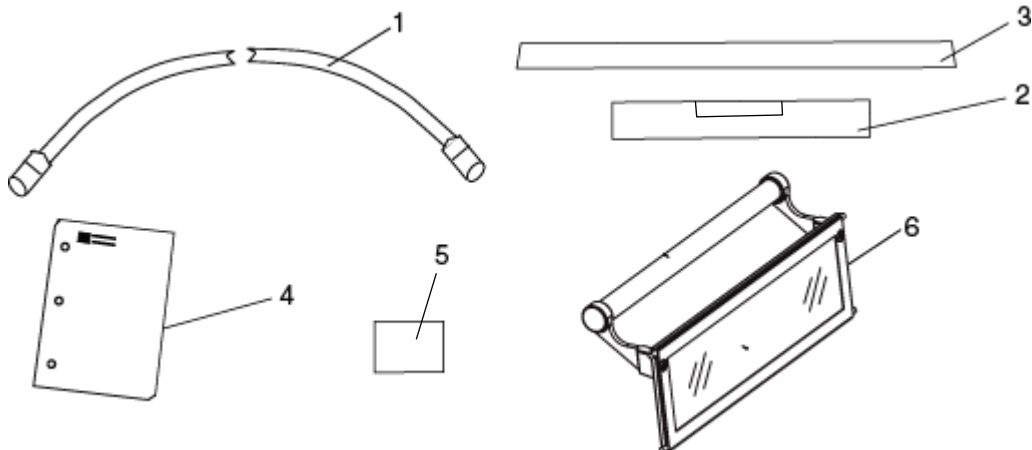
TYPE OF INSTALLATION	PS640 Gas Oven Installation Kit P/N61452	PS640 Single Oven Option Base w/ 15" Legs, Casters & Top Kit P/N61123	PS640 DoubleOven OptionBase w/ 6" Legs, Casters & Top Kit P/N61457	PS640 TripleOven OptionBase w/ Casters& Top Kit P/N61458
PS640 Single Gas Oven	1	1		
PS640 Double Gas Oven	2		1	
PS640 Triple Gas Oven	3			1

PARTS LIST FOR SERIES PS640 GAS OVEN INSTALLATION KIT P/N 61452

(Two required for double oven)
(Three required for triple oven)

ITEM NO.	QTY	PART NO.	DESCRIPTION
1	1	22361-0001	FLEXIBLE GAS HOSE
2	1	61823	CONVEYOR END STOP, 18"
3	1	31461	CONVEYOR LEFT REAR STOP, 21.25"
4	1	42612	SERVICE AGENCY DIRECTORY
5	1	22500-0080	LABEL, MM
6	1	51054	ASSY, HANDLE & DOOR

Figure 2-1A. PS640-Series Gas Oven Installation Parts



PS640 32" OVEN INSTALLATION REQUIRED KITS AND EQUIPMENT

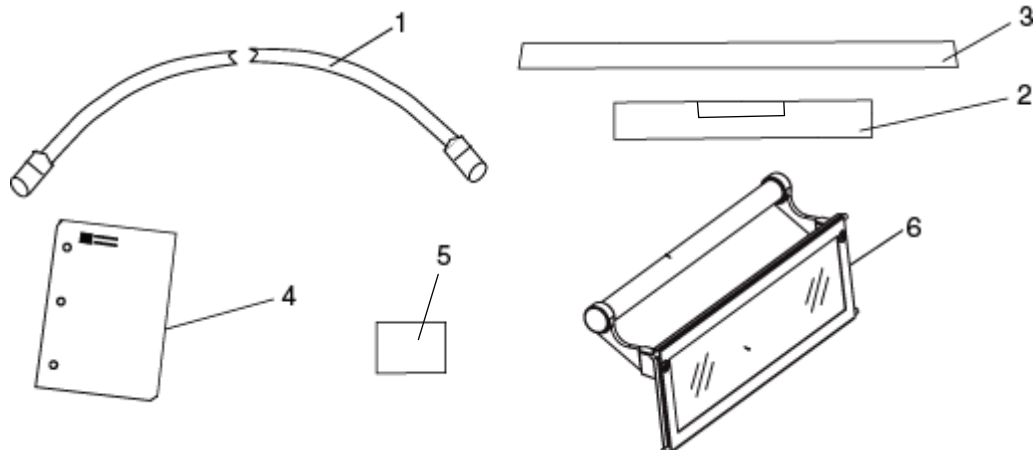
TYPE OF INSTALLATION	PS640 Gas Oven Installation Kit P/N61033	PS640 Single Oven Option Base w/ 15" Legs, Casters & Top Kit P/N59720	PS640 DoubleOven OptionBase w/ 6" Legs, Casters & Top Kit P/N59725	PS640 TripleOven OptionBase w/ Casters& Top Kit P/N59726
PS640 Single Gas Oven	1	1		
PS640 Double Gas Oven	2		1	
PS640 Triple Gas Oven	3			1

PARTS LIST FOR SERIES PS640 GAS OVEN INSTALLATION KIT P/N 61033

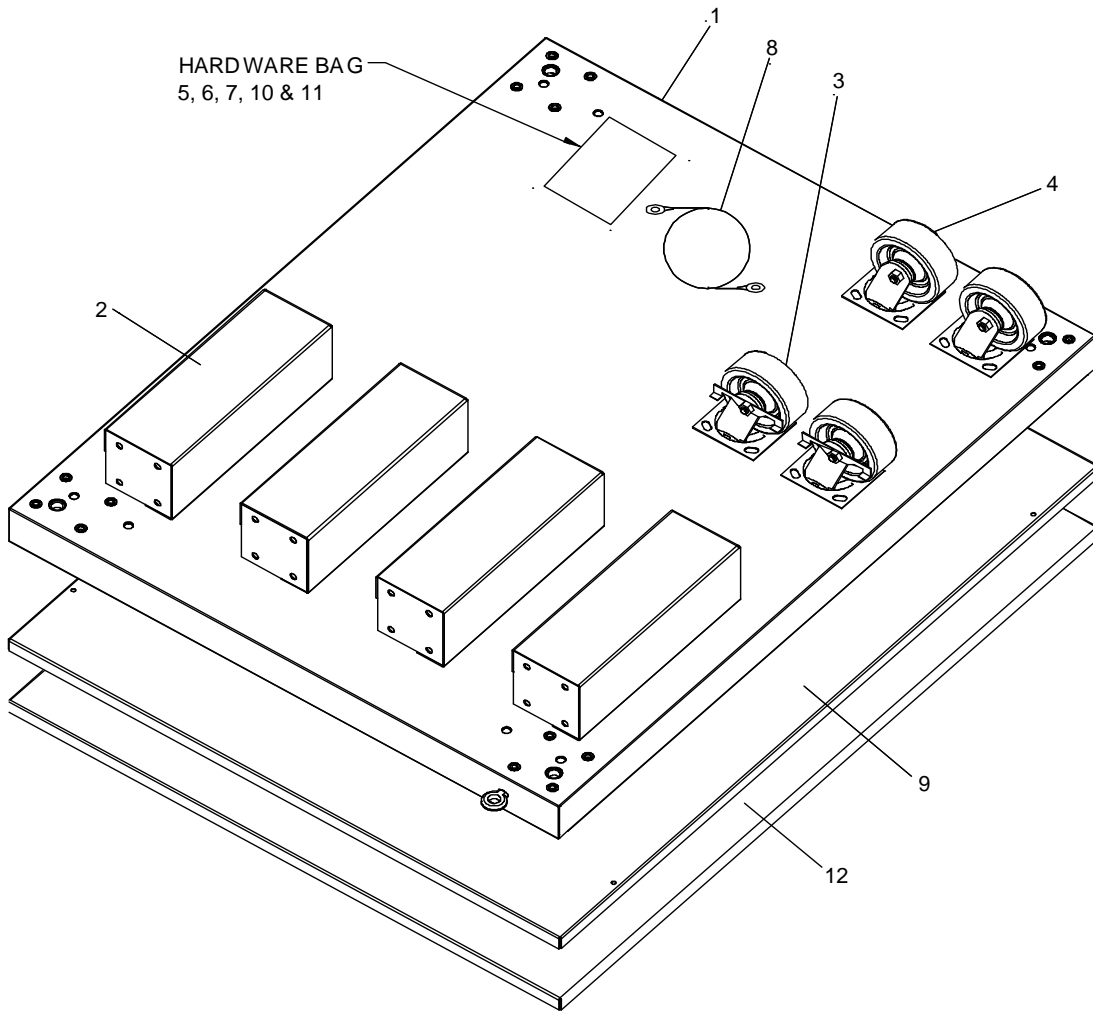
(Two required for double oven)
(Three required for triple oven)

ITEM NO.	QTY	PART NO.	DESCRIPTION
1	1	22361-0001	FLEXIBLE GAS HOSE
2	1	61823	CONVEYOR END STOP
3	1	55027	CONVEYOR LEFT REAR STOP
4	1	42612	SERVICE AGENCY DIRECTORY
5	1	22500-0080	LABEL, MM
6	1	51054	ASSY, HANDLE & DOOR

Figure 2-1B. PS640-Series Gas Oven Installation Parts



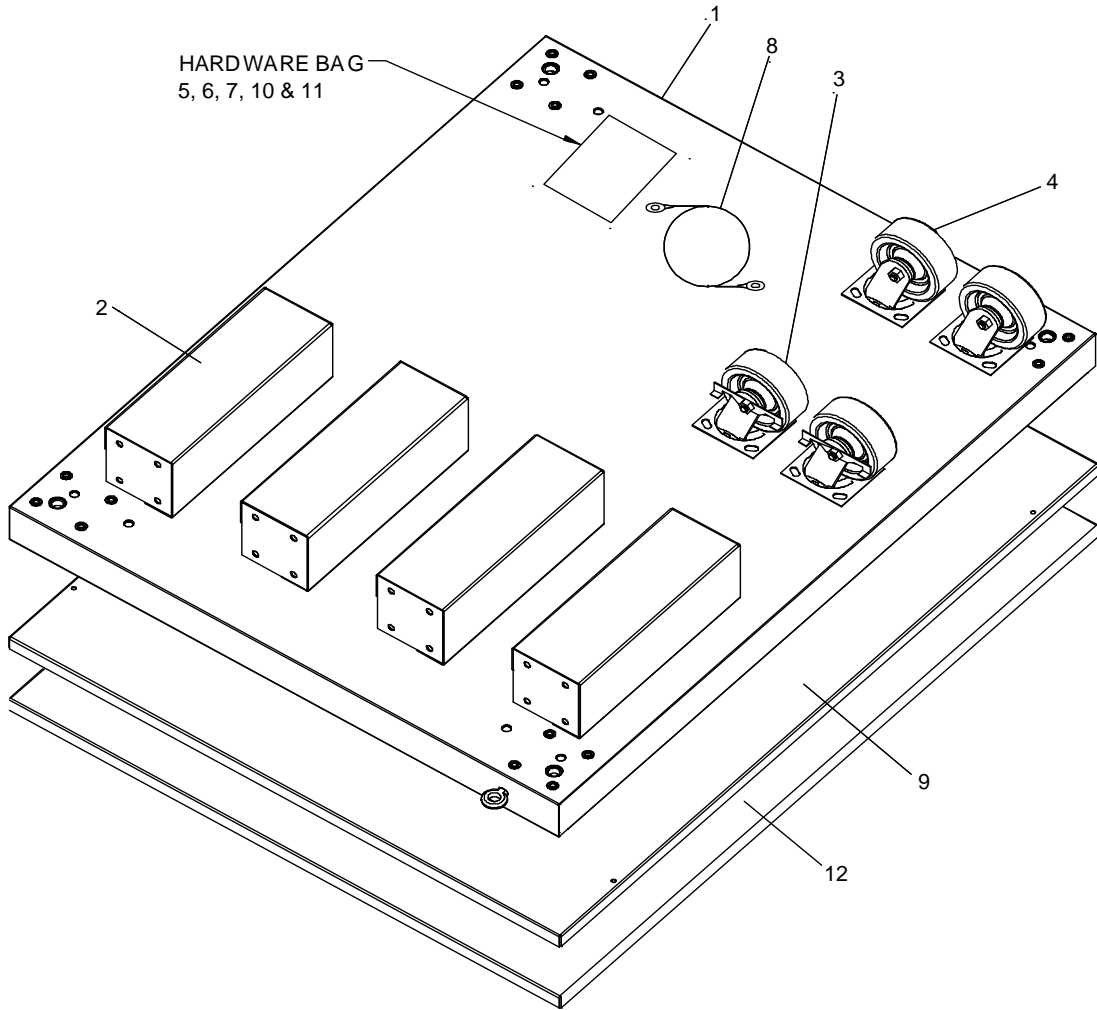
**Figure 2-2A. Model PS640 24" Single Oven
Option Base with Legs and Top**



**PARTS LIST FOR PS640 SERIES 24" SINGLE OVEN OPTION - BASE w/15" LEGS & TOP
P/N 61123**

ITEM NO.	QTY	PART NO.	DESCRIPTION
1	1	61126	COMPLETE BASE WELDMENT
2	4	37900-0024	TOP PLATE, LEG WELDMENT
3	2	22290-0009	SWIVEL CASTER W/BRAKE FLAT PLATE
4	2	22290-0010	SWIVEL CASTER FLAT PLATE
5	32	2000531	3/8"-16 x 1" HEX SCREW, SST
6	32	21416-0001	3/8" FLAT WASHER, SS
7	32	21422-0001	3/8" SPLIT LOCK WASHER, ZP
8	1	22450-0228	RESTRAINT CABLE ASSEMBLY
9	1	61125	TOP COVER
10	2	59677	SCR, MS SL TR HD 10-32 x 2-1/2"
11	2	7A2S15	SCR, MS STR TRSHD 10-32 x 3/4"
12	1	61128	SUPPORT, SHELF

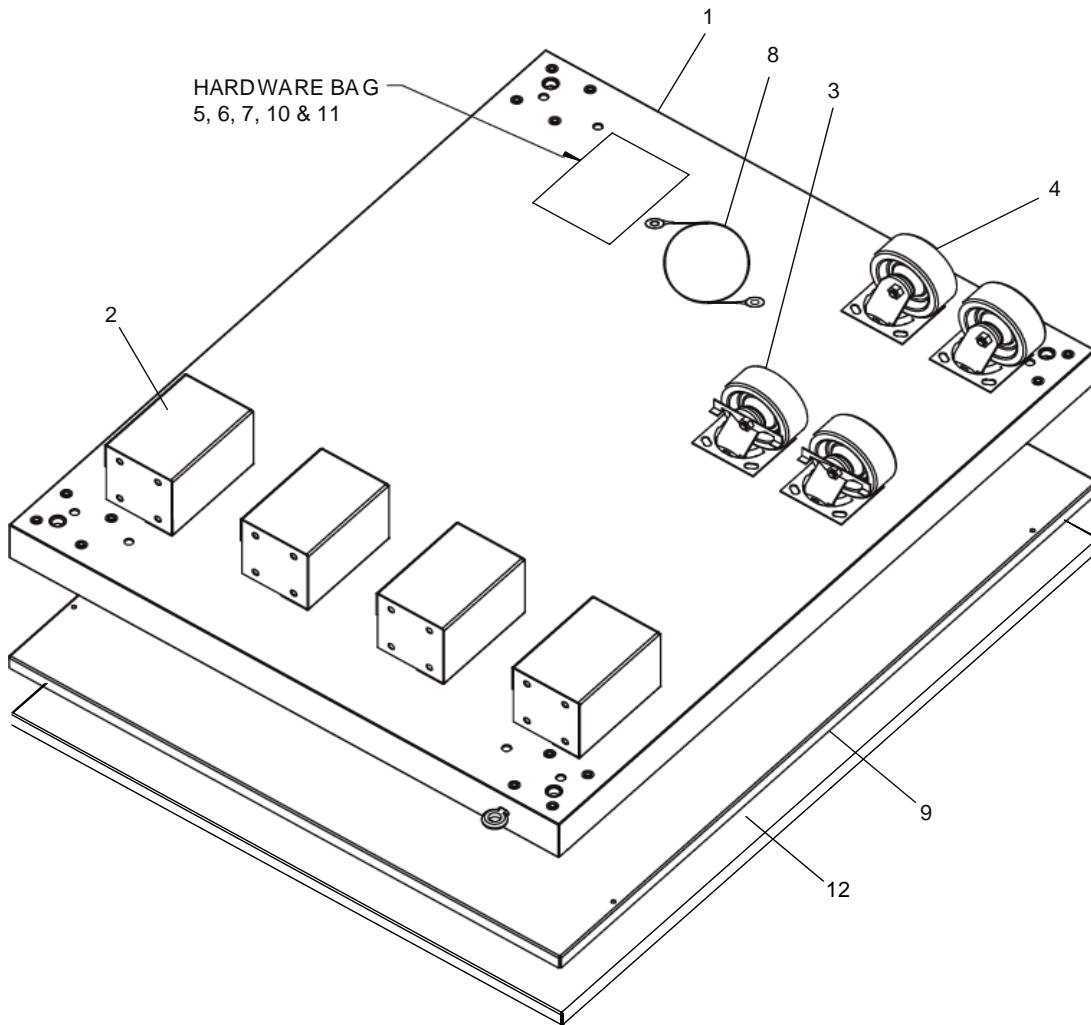
**Figure 2-2B. Model PS640 32" Single Oven
Option Base with Legs and Top**



**PARTS LIST FOR PS640 32" SERIES SINGLE OVEN OPTION - BASE w/15" LEGS & TOP
P/N 59720**

ITEM NO.	QTY	PART NO.	DESCRIPTION
1	1	60287	COMPLETE BASE WELDMENT
2	4	37900-0024	TOP PLATE, LEG WELDMENT
3	2	22290-0009	SWIVEL CASTER W/BRAKE FLAT PLATE
4	2	22290-0010	SWIVEL CASTER FLAT PLATE
5	32	2000531	3/8"-16 x 1" HEX SCREW, SST
6	32	21416-0001	3/8" FLAT WASHER, SS
7	32	21422-0001	3/8" SPLIT LOCK WASHER, ZP
8	1	22450-0228	RESTRAINT CABLE ASSEMBLY
9	1	59560	TOP COVER
10	2	59677	SCR, MS SL TR HD 10-32 x 2-1/2"
11	2	7A2S15	SCR, MS STR TRSHD 10-32 x 3/4"
12	1	59724	SUPPORT, SHELF

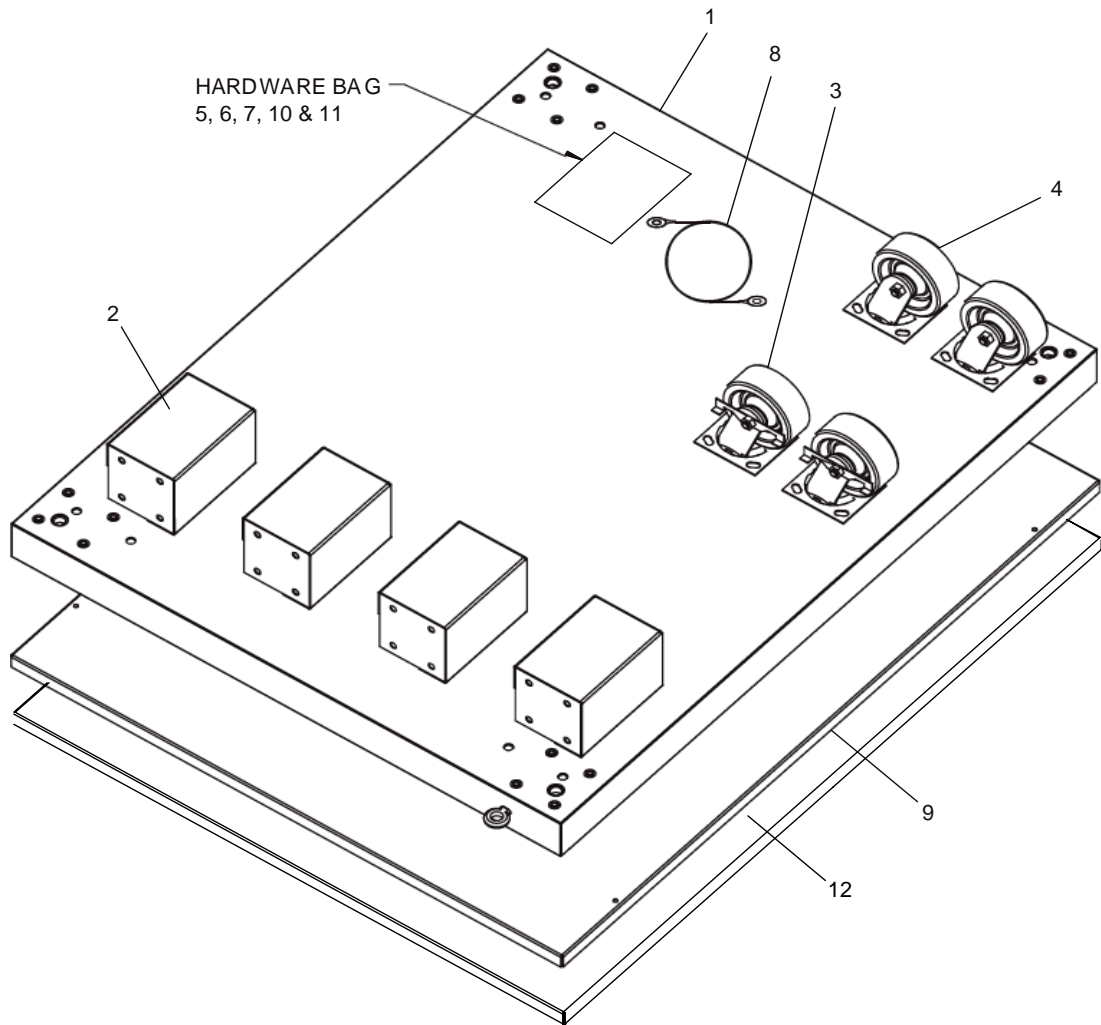
**Figure 2-3A. Model PS640 24" Double Oven
Option Base with Legs and Top**



**PARTS LIST FOR PS640 SERIES 24" DOUBLE OVEN OPTION - BASE w/6" LEGS & TOP
P/N 61457**

ITEM NO.	QTY	PART NO.	DESCRIPTION
1	1	61126	COMPLETE BASE WELDMENT
2	4	37900-0102	TOP PLATE, LEG WELDMENT
3	2	22290-0009	SWIVEL CASTER W/BRAKE FLAT PLATE
4	2	22290-0010	SWIVEL CASTER FLAT PLATE
5	32	2000531	3/8"-16 x 1 HEX SCREW, SST
6	32	21416-0001	3/8" FLAT WASHER, SS
7	32	21422-0001	3/8" SPLIT LOCK WASHER, ZP
8	1	22450-0228	RESTRAINT CABLE ASSEMBLY
9	1	61125	TOP COVER
10	2	59677	SCR, MS SL TR HD 10-32 x 2-1/2"
11	2	7A2S15	SCR, MS STR TRSHD 10-32 x 3/4"
12	1	61128	SUPPORT, SHELF

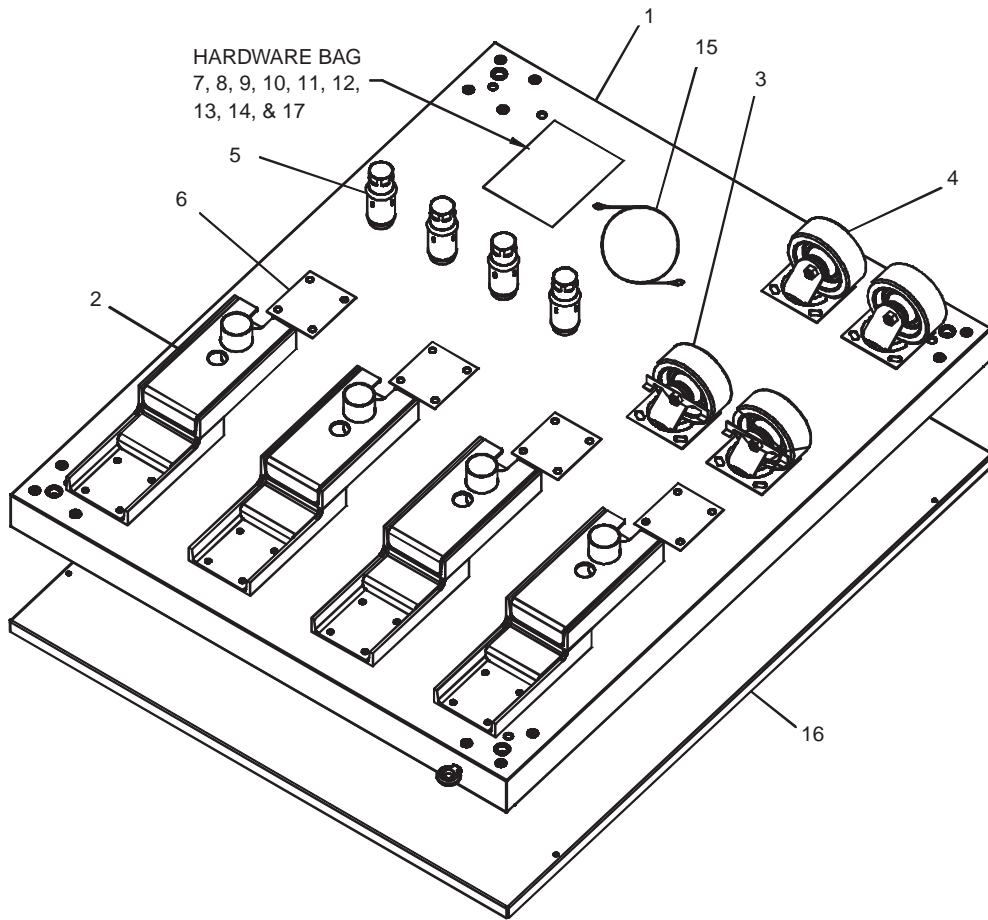
**Figure 2-3B. Model PS640 32" Double Oven
Option Base with Legs and Top**



**PARTS LIST FOR PS640 SERIES 32" DOUBLE OVEN OPTION - BASE w/6" LEGS & TOP
P/N 59725**

ITEM NO.	QTY	PART NO.	DESCRIPTION
1	1	60287	COMPLETE BASE WELDMENT
2	4	37900-0102	TOP PLATE, LEG WELDMENT
3	2	22290-0009	SWIVEL CASTER W/BRAKE FLAT PLATE
4	2	22290-0010	SWIVEL CASTER FLAT PLATE
5	32	2000531	3/8"-16 x 1 HEX SCREW, SST
6	32	21416-0001	3/8" FLAT WASHER, SS
7	32	21422-0001	3/8" SPLIT LOCK WASHER, ZP
8	1	22450-0228	RESTRAINT CABLE ASSEMBLY
9	1	59560	TOP COVER
10	2	59677	SCR, MS SL TR HD 10-32 x 2-1/2"
11	2	7A2S15	SCR, MS STR TRSHD 10-32 x 3/4"
12	1	59724	SUPPORT, SHELF

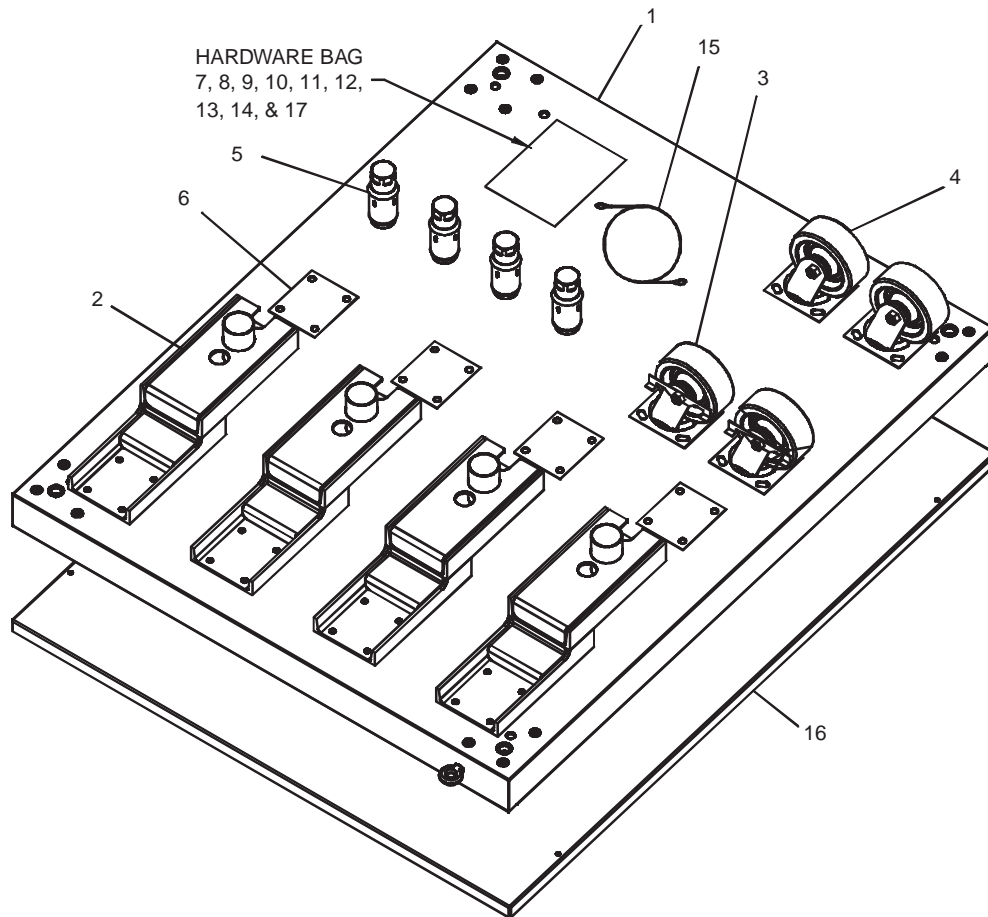
**Figure 2-4A. Model PS640 24" Triple Oven
Option Base with Outriggers and Top**



**PARTS LIST FOR PS640 SERIES 24" TRIPLE OVEN OPTION - BASE w/CASTERS & TOP
P/N 61458**

ITEM NO.	QTY	PART NO.	DESCRIPTION
1	1	61126	COMPLETE BASE WELDMENT
2	4	45209	QUAD OUTRIGGER WELDMENT
3	2	22290-0009	SWIVEL CASTER, W/BRAKE FLAT PLATE
4	2	22290-0010	SWIVEL CASTER, FLAT PLATE
5	4	45206	INSERT,QUAD ADJUSTMENT FOOT
6	4	45205	SPACER,QUAD CASTER
7	32	A27727	3/83 -16x1-1/4 HEX BOLT
8	32	A21924	3/83 FLAT WASHER, SS
9	32	21422-0001	3/83 SPLIT LOCK WASHER, ZP
10	16	21172-0004	3/83 -16 NYLON INSULATED LOCKNUT, ZC
11	8	2001048	1/23 -13 x 1-3/8 18-8 HEX CAPSCREW
12	8	A27750	1/23 18-8 FLAT WASHER
13	8	21422-0016	1/23 18-8 LOCK WASHER
14	2	59677	SCR, MS SL TR HD 10-32X2-1/2
15	1	22450-0228	RESTRAINT CABLE ASSEMBLY
16	1	61125	TOP COVER
17	2	7A2S15	SCR, MS STR TRSHD 10-32X3/4"

**Figure 2-4B. Model PS640 32" Triple Oven
Option Base with Outriggers and Top**



**PARTS LIST FOR PS640 SERIES 32" TRIPLE OVEN OPTION - BASE w/CASTERS & TOP
P/N 59726**

ITEM NO.	QTY	PART NO.	DESCRIPTION
1	1	60287	COMPLETE BASE WELDMENT
2	4	45209	QUAD OUTRIGGER WELDMENT
3	2	22290-0009	SWIVEL CASTER, W/BRAKE FLAT PLATE
4	2	22290-0010	SWIVEL CASTER, FLAT PLATE
5	4	45206	INSERT,QUAD ADJUSTMENT FOOT
6	4	45205	SPACER,QUAD CASTER
7	32	A27727	3/83 -16x1-1/4 HEX BOLT
8	32	A21924	3/83 FLAT WASHER, SS
9	32	21422-0001	3/83 SPLIT LOCK WASHER, ZP
10	16	21172-0004	3/83 -16 NYLON INSULATED LOCKNUT, ZC
11	8	2001048	1/23 -13 x 1-3/8 18-8 HEX CAPSCREW
12	8	A27750	1/23 18-8 FLAT WASHER
13	8	21422-0016	1/23 18-8 LOCK WASHER
14	2	59677	SCR, MS SL TR HD 10-32X2-1/2
15	1	22450-0228	RESTRAINT CABLE ASSEMBLY
16	1	59560	TOP COVER
17	2	7A2S15	SCR, MS STR TRSHD 10-32X3/4"

V. KEY SPARE PARTS KIT # 60904 – Available separately. See Figure 4-8. This Page Updated 8-20-2015

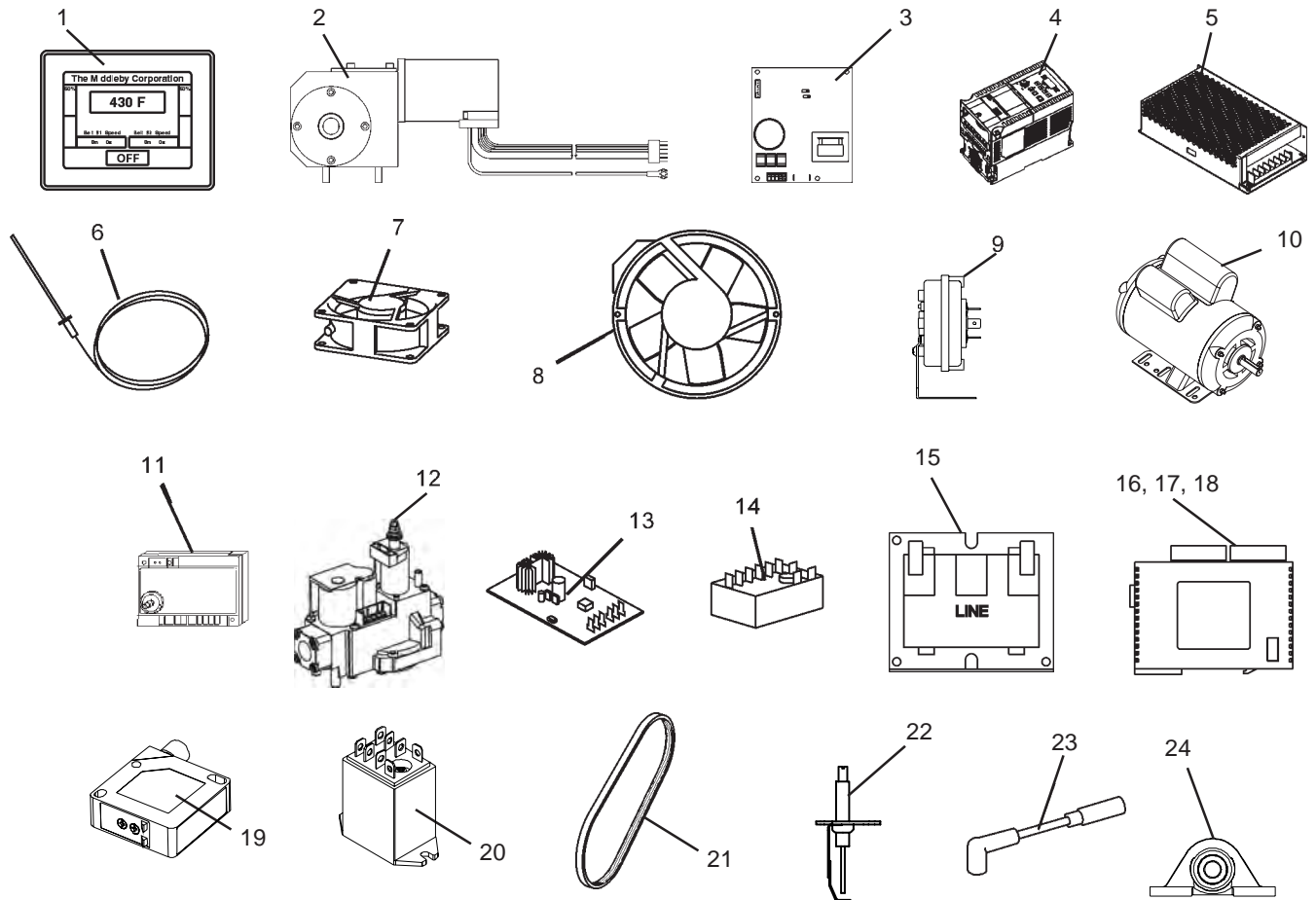
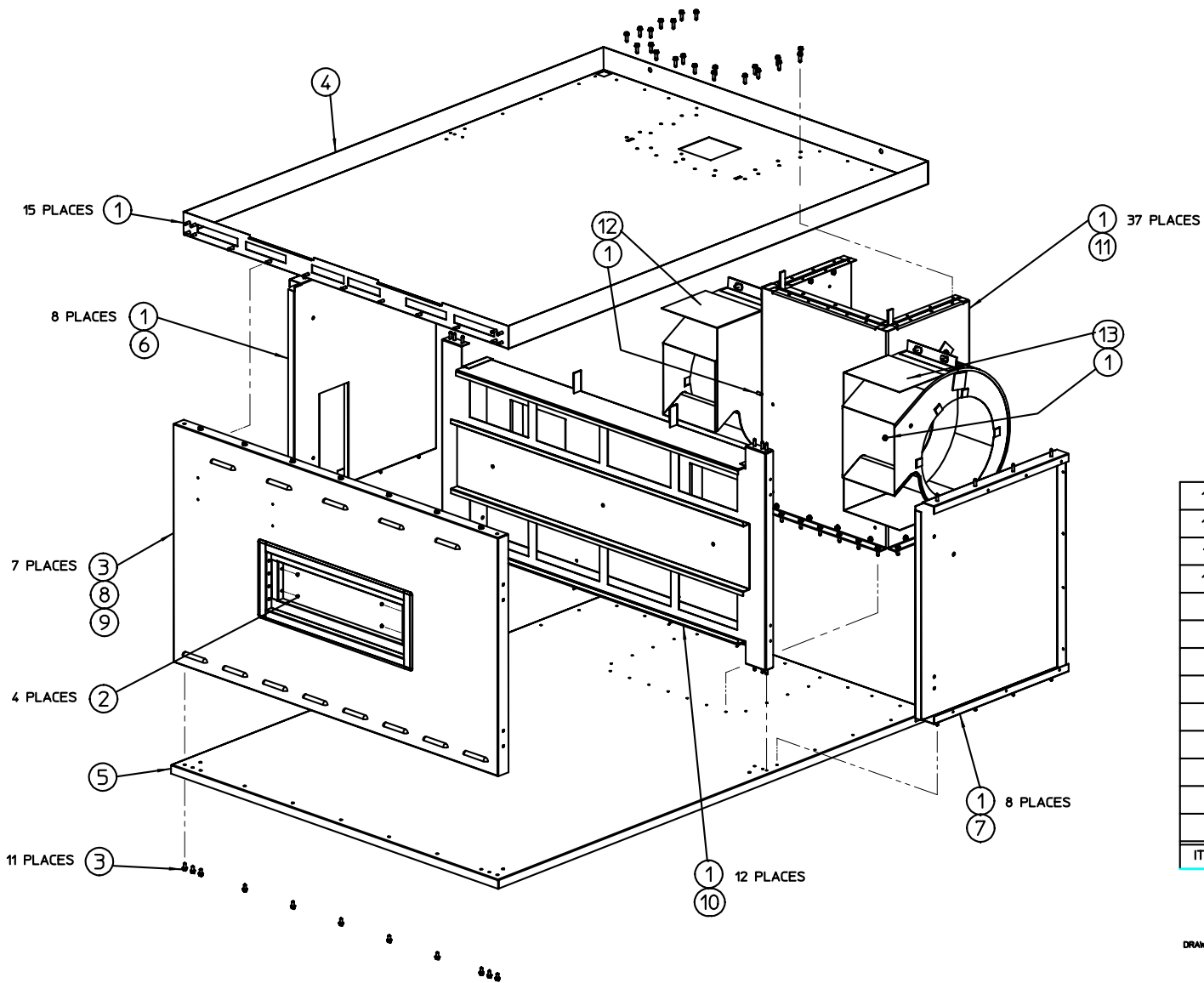


Figure 4-8. Key Spare Parts
KEY SPARE PARTS PS640 GAS

ITEM	QTY.	P/N	DESCRIPTION
1	1	67050	Digital Display, Programmed
2	1	58920	Motor, Conveyor Drive
3	1	66759	Conveyor Control Board
4	1	70884	Inverter, Programmed
5	1	69533	Power Supply
6	1	33984	Kit, Thermocouple
7	1	65061	Fan Cooling Control (97525 until 7/2011)
8	1	51399	Fan Cooling Rear
9	1	60598	Air Switch
10	1	57288	Motor, Blower
11	1	62285	Ignition Module
12	1	60679	Assy, Valve Gas Modulating
13	1	60671	Board, Signal Cond. 0-15VDC
14	1	33983	High Limit Control Module,240V
15	2	32108	Transformer,240Vp:24Vs
16	1	67052	PLC Module, Programmed
17	1	58668	Thermocouple Module
18	1	58669	Current Module
19	1	60185	PhotoCell
20	2	59132	Relay, DPDT 24V Coil
21	1	59668	Belt, Blower
22	1	71037	Ignitor, Single Rod
23	1	50240	Ignition Cable, 25"
24	1	68371	Bearing, PB 5/8 Bore



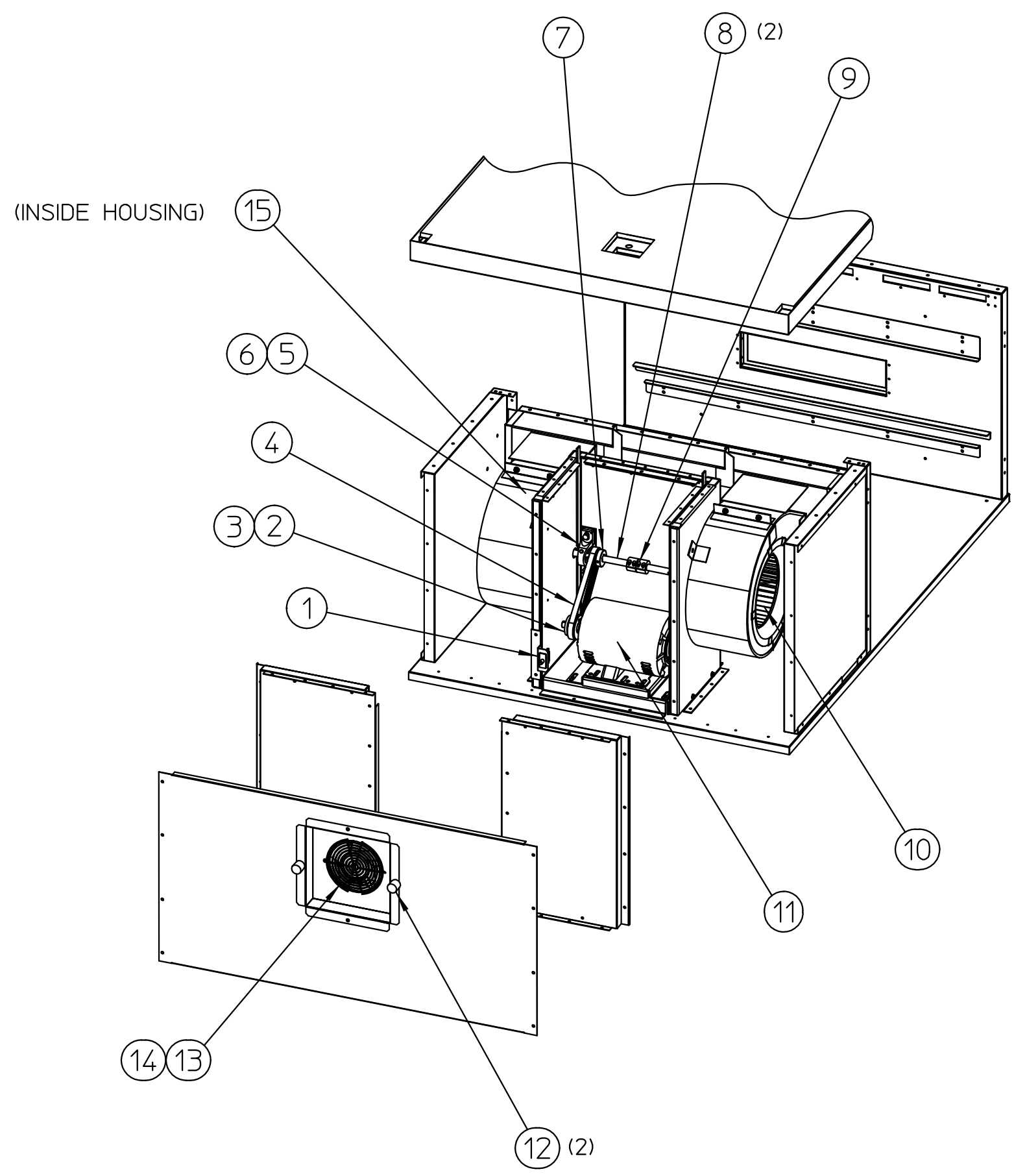
13	1	60818	WLDMT,HEAT REFLECT RH
12	1	60817	WLDMT,HEAT REFLECT LH
11	1	59569	ASSY,BLWR MTG
10	1	59567	WLDMT,PLENUM
9	1	59536	ASSY,FRT PNL INR
8	1	59533	ASSY,FRT PNL/WINDOW
7	1	59433	PANEL,INR RR SIDE RH
6	1	59432	PANEL,INR RR SIDE LH
5	1	59309	PANEL,FLOOR
4	1	59308	PANEL,ROOF
3	18	50281	SCR,#12X1/2 SL HX W/HO T/S ZC
2	4	21516-0001	RIVET,POP STY1 #43 GR51 SS
1	67	21296-0005	SCR,HX WSHHD 12-14X3/4 SS BSD
ITEM	QTY	PART NO.	DESCRIPTION

TOLERANC THIS DRAWING IS CONFIDENTIAL AND PROPERTY OF
 015 THE MIDDLEBY CORPORATION
 .005 .005 1400 Toastmaster Drive
 Elgin, Illinois 60120
 847-741-33

DRAWN

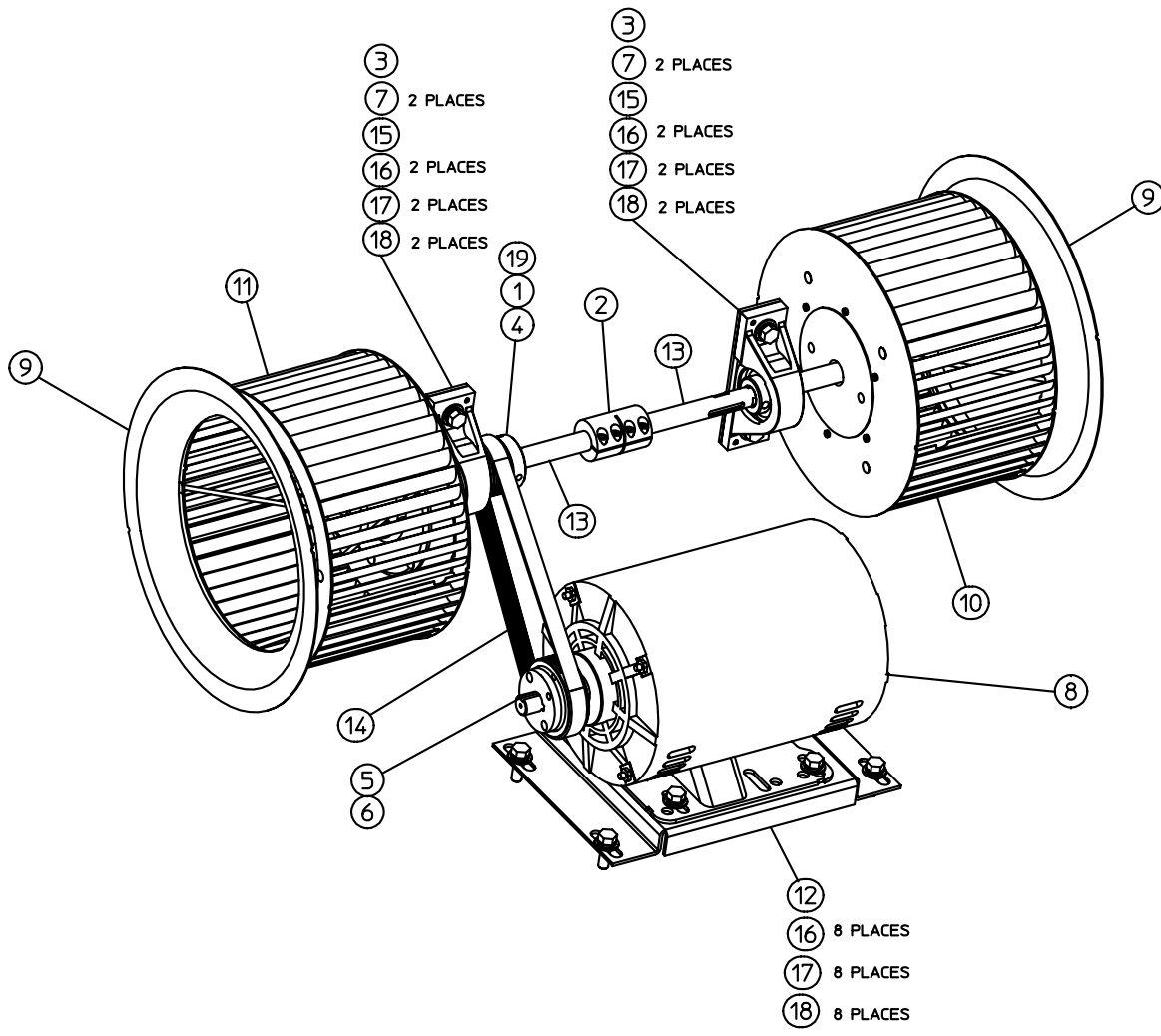
ASSY, CAVITY MINI-WOW

60583



ITEM	QTY	PART NUMBER	DESCRIPTION
1	1	63910	SWITCH, MOMENTARY 10A NO 2 POLE
2	1	50260	SHEAVE, POLY V 6J25G
3	1	50259	BUSHING, G 5/8
4	1	59668	BELT, POLY-V 220J6
5	2	64106	BEARING, DODGE 5/8
6	2	50160	PLATE, SHIM PS536
7	1	50224	SHEAVE, POLY V 5/8X6J18
8	2	59504	SHAFT, BLOWER1
9	1	44748	COUPLING, COMPRESSION
10	1	59409	WHEEL, BLOWER CCW
11	1	57288	MOTOR, 2 HP 230/460V 1725 RPM
12	2	30927	BUMPER, WINDOW PS570S
13	1	31497	GUARD, COOLING FAN 360WB
14	1	51399	FAN, COOLING 230VAC 295 CFM
15	1	59411	WHEEL, BLOWER CW

PS640/PS740/PS840 BLOWERS
 AND
 PS640VE2/PS740VE2/PS840VE2 BLOWERS

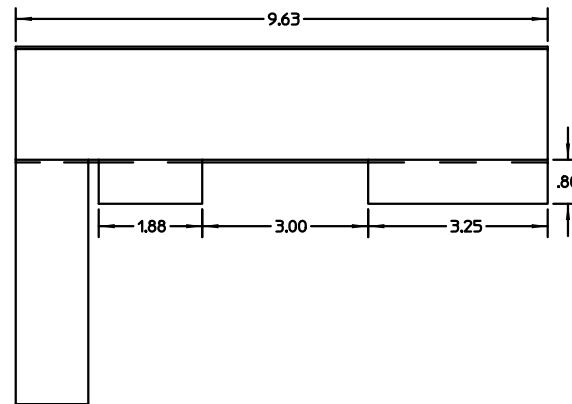
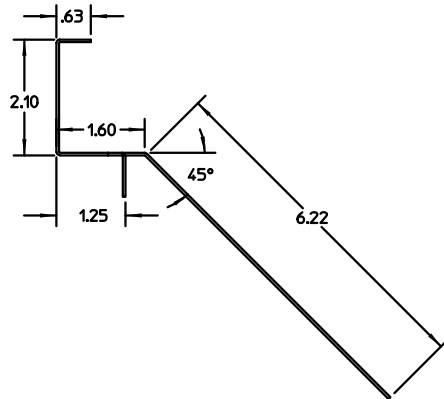
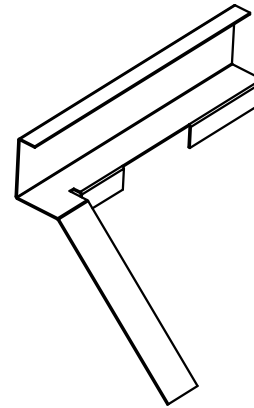
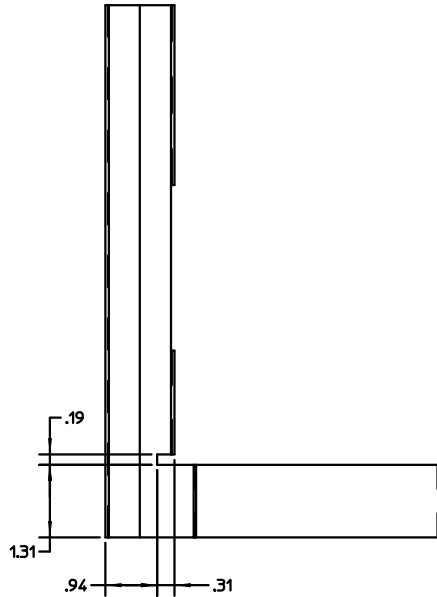



ITEM	QTY	PART NO.	DESCRIPTION
19	2	DROPS 220004	SEALANT, LOCKTITE 242 THDLK BLUE
18	12	B301A8847	WASHER,FLAT 5/16 X 3/4 X 1/16
17	12	A3682	WASHER,LOCK 5/16
16	12	A11687	SCR,HH 5/16-18X7/8
15	2	60636	BEARING,PB 5/8 BORE KRYTOX
14	1	59668	BELT,POLY-V 220J6
13	2	59504	SHAFT,BLOWER
12	1	59492	WLDMT,MTR MTG BRKT
11	1	59411	WHEEL,BLOWER CW
10	1	59409	WHEEL,BLOWER CCW
9	2	59407	RING,INLET BLOWER
8	1	57288	MOTOR,2HP 230/460V 1725 RPM
7	4	50271	PIN,ROLL PLN 5/32 X 5/8
6	1	50260	SHEAVE,POLY V 6J25G
5	1	50259	BUSHING,G 5/8
4	1	50224	SHEAVE,POLY V 5/8X6J18
3	2	50160	PLATE,SHIM PS536
2	1	44748	COUPLING,COMPRESSION
1	1	21651-0010	KEY,SQ 3/16X3/16X100 STL

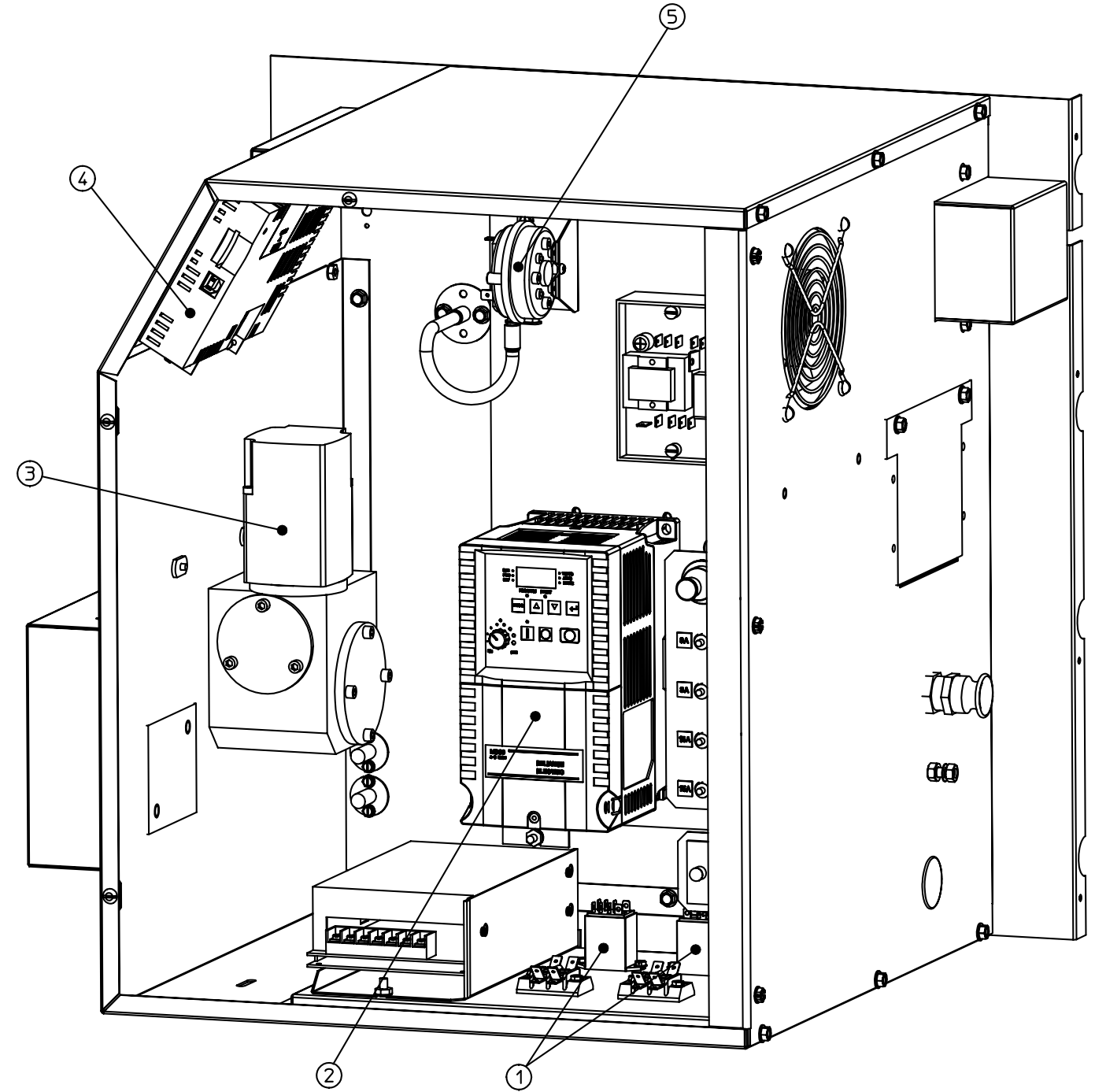
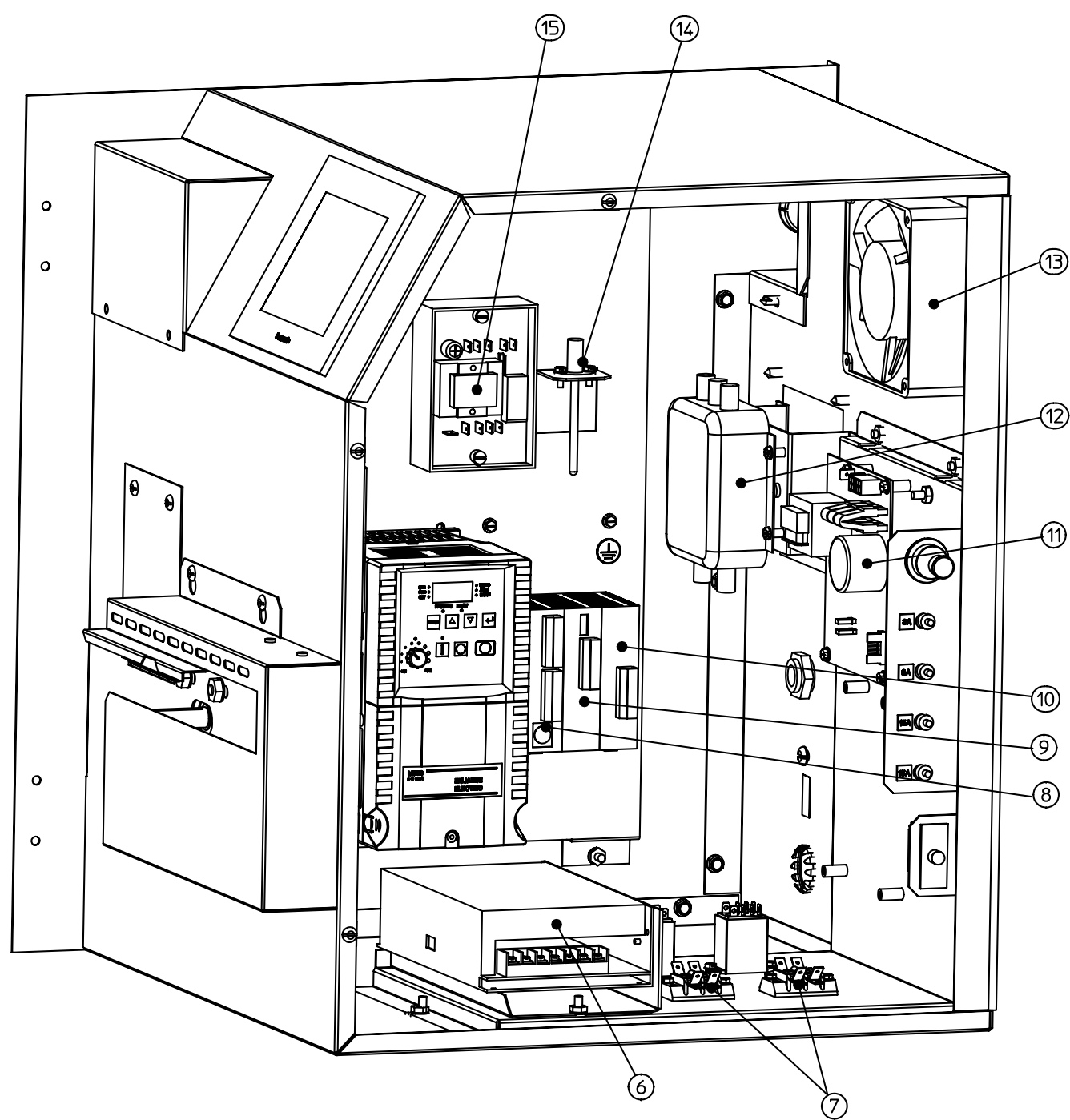
MATERIAL GAUGE: TOLERANCE UNLESS SPECIFIED
 ANGLES ± 1.0°
 DEC .X ± .030
 .XX ± .015
 .XXX ± .005
 FINISH
 DRAWN JH 11/21/2008 CHECKED MSS 12/05/2008 APPROVED MSS 12/05/2008
 THIS DRAWING IS CONFIDENTIAL AND PROPERTY OF
THE MIDDLEBY CORPORATION
 1400 Toetmester Drive
 Elgin, Illinois 60120
 847-741-3300

ASSY, BLOWER COMP PS640 / 740 / 840

ALL DIMENSIONS ARE IN INCHES UNLESS OTHERWISE SPECIFIED. DO NOT SCALE DRAWING
 PART NO 60225 SHIT 1 OF 1 REV C

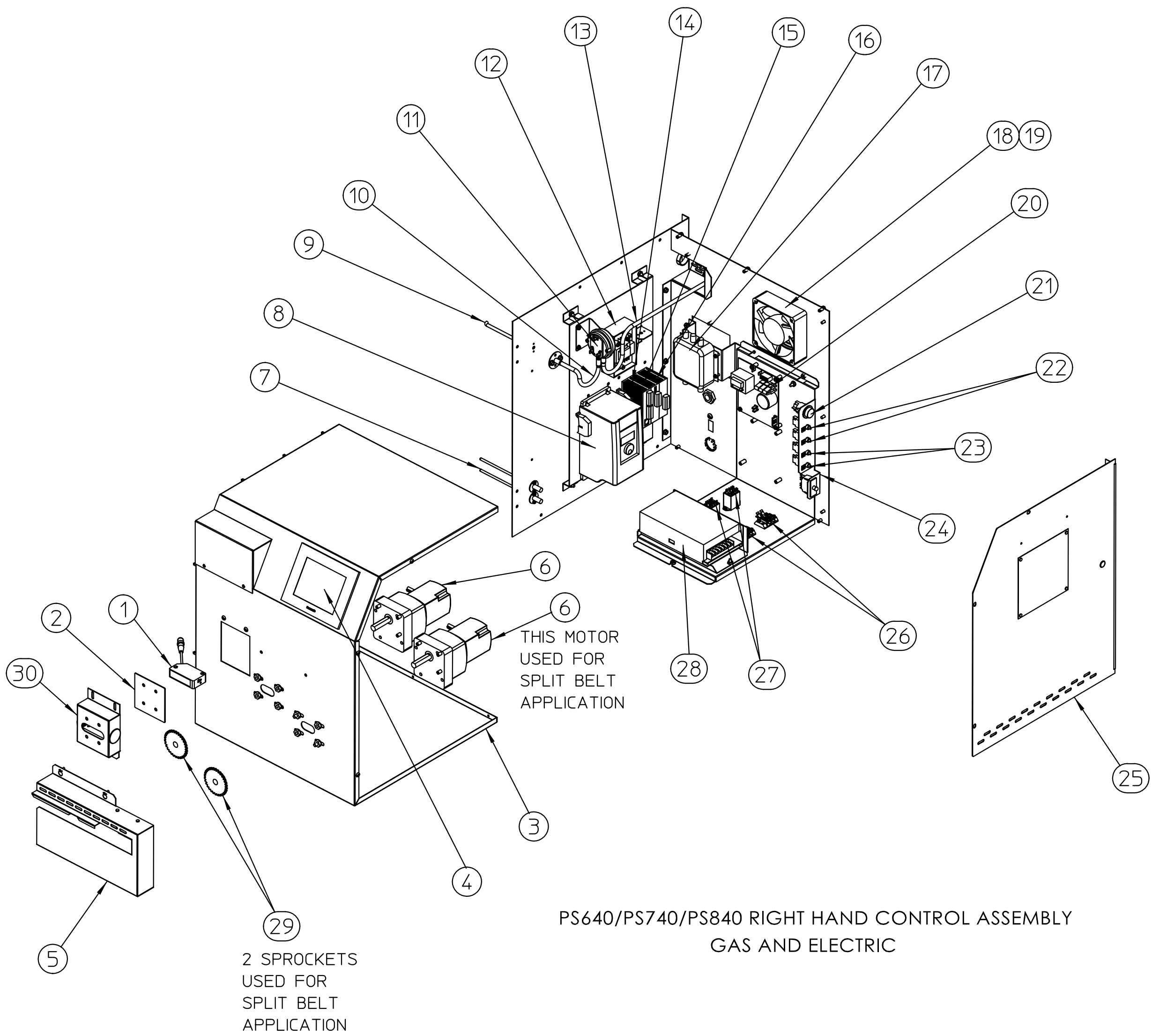


NOTES: - PART TO BE FREE OF ALL BURRS AND SHARP EDGES. - ALL BENDS MUST BE 90°. UNLESS OTHERWISE SPECIFIED. - ALL RADII MUST CONFORM TO THE FOLLOWING CHART, UNLESS OTHERWISE SPECIFIED.		MATERIAL T430 SS	GAUGE: 18GA	TOLERANCE UNLESS SPECIFIED ANGLES ± 1.0° DEC .X ± 0.030 .XX ± 0.015 .XXX ± 0.005	THIS DRAWING IS CONFIDENTIAL AND PROPERTY OF  THE MIDDLEBY CORPORATION 1400 Toastmaster Drive Elgin, Illinois 60120 847-741-3300			
FINISH MILL	DRAWN JM	CHECKED 06/21/2011	APPROVED	TOOL , BELT ALIGNMENT				
RAD	GAUGE		ALL DIMENSIONS ARE IN INCHES UNLESS OTHERWISE SPECIFIED. DO NOT SCALE DRAWING			PART NO 6 6 7 8 6	SHT 1 OF 1	REV A 1
.015	24 (.024) GA. TO 18 (.048) GA.							
.031	16 (.060) GA. TO 13 (.090) GA.							
.062	12 (.105) GA. TO 7 (.187) GA.							



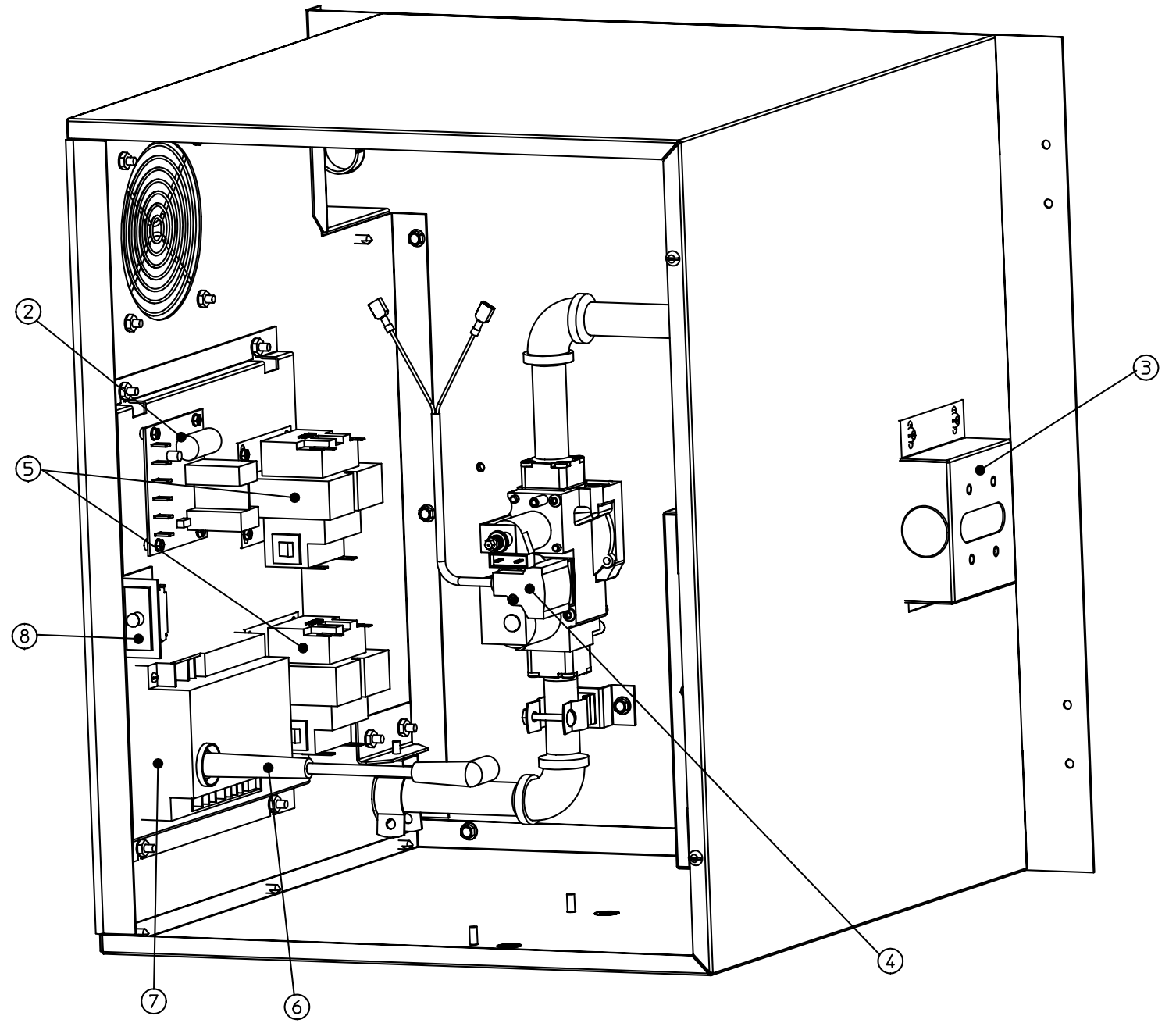
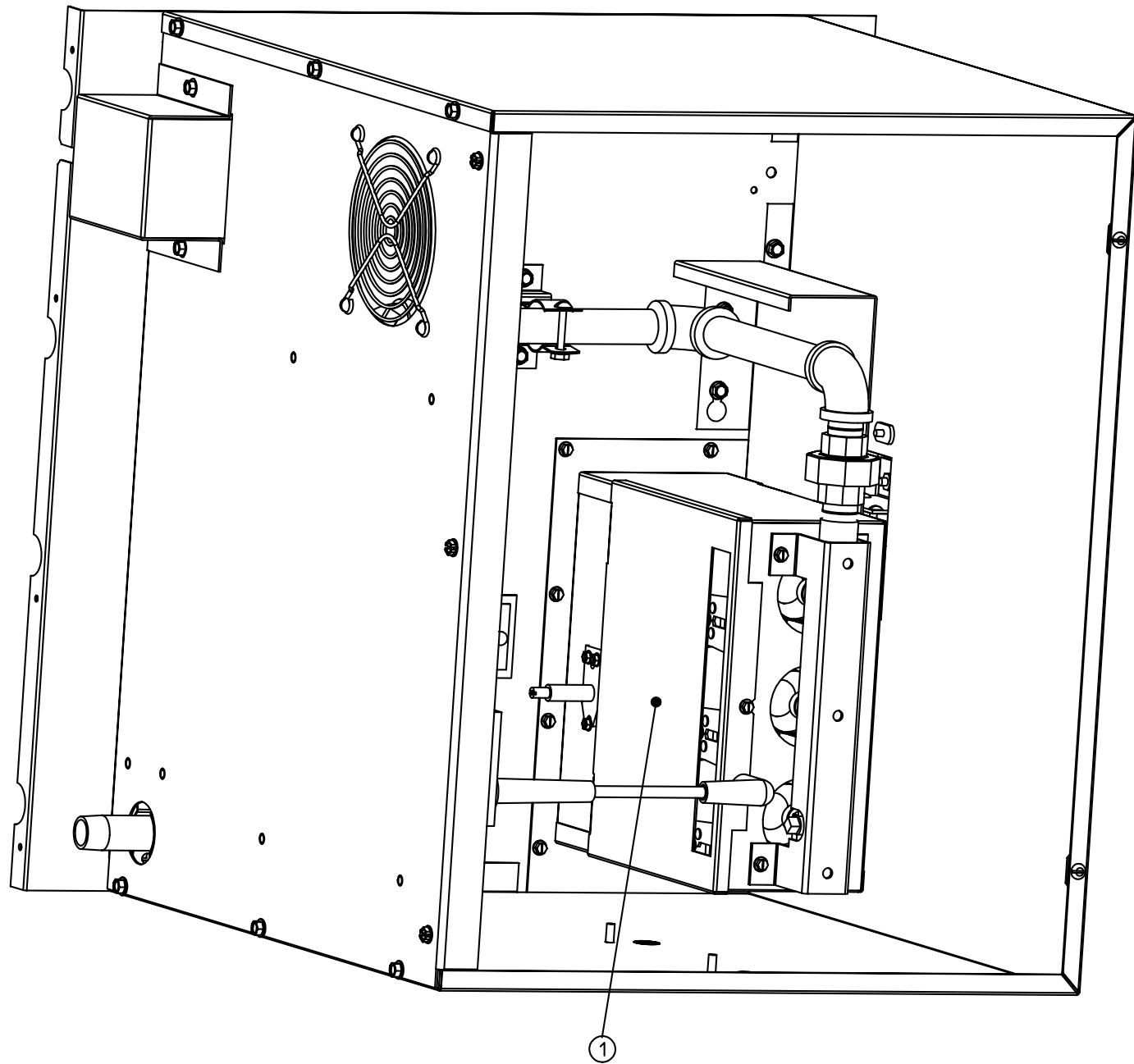
8	1	60193	CONTROL,C14RS PROG 640/840G	15	1	33983	CNTRL,ELEC HI-LIMIT 240V
7	2	M0593	BLOCK,TERMINAL	14	1	33812-8	TC,TYPE 'J' SHIELDED 2.50X60"
6	1	59326	ASSY,POWER SUPPLY 24VDC	13	1	97525	FAN,230V
5	1	60598	SWITCH,AIR .13 WC (CLEVELAND)	12	1	33813	FILTER,RFI TYPE F1780DD20
4	1	60680/60681	TOUCHSCREEN,COLOR GT32/TOUCHSCREEN,B & W GT32	11	1	58679	CONTROLLER,TYPE DBL-2302 DC
3	1	58920	MTR,GEAR 1/24HP 1350:1 130VDC	10	1	58669	CONVERTER,DIGITAL FPO-A041
2	1	60192	INVERTER,AC PRGMD 640/740G	9	1	58668	THERMOCOUPLE,DIGITAL FPO-TC4
1	2	59132	RELAY,DPDT 24VDC COIL				
ITEM	QTY	PART NO.	DESCRIPTION	ITEM	QTY	PART NO.	DESCRIPTION

MATERIAL	GUAGE:	TOLERANCE UNLESS SPECIFIED	THIS DRAWING IS CONFIDENTIAL AND PROPERTY OF THE MIDDLEBY CORPORATION 1400 Toastmaster Drive Elgin, Illinois 60120 847-741-3300
FINISH		ANGLES ± 1.0°	
DRAWN	CHECKED	DEC .X ± .030	
		.XX ± .015	
		.XXX ± .005	
CONTROL RH PS640G PARTS			
ALL DIMENSIONS ARE IN INCHES UNLESS OTHERWISE SPECIFIED. DO NOT SCALE DRAWING		PART NO	SHT OF REV



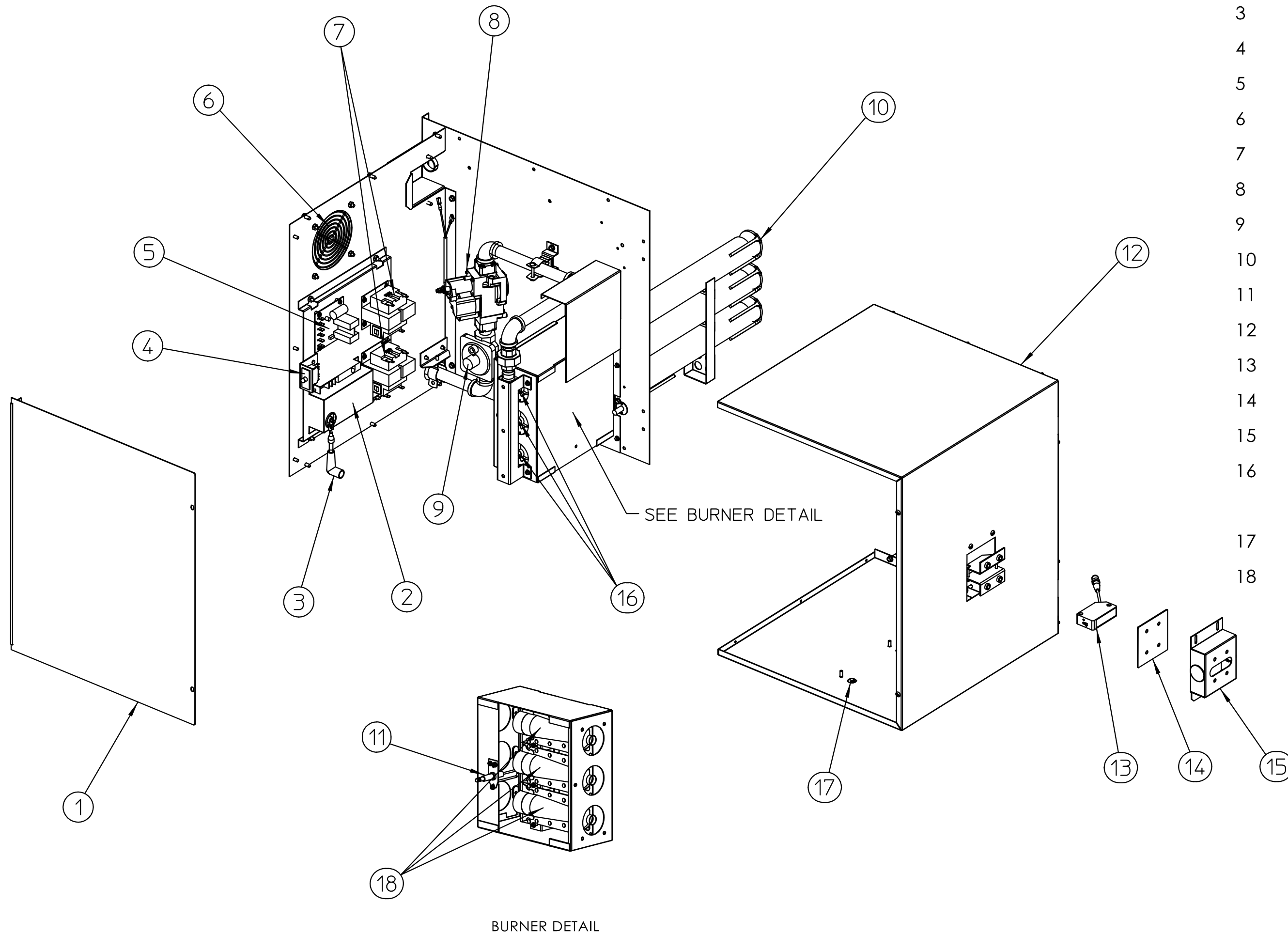
PS640/PS740/PS840 RIGHT HAND CONTROL ASSEMBLY
GAS AND ELECTRIC

ITEM	QTY	PART NUMBER	DESCRIPTION
1	1	60185	SENSOR, ALLEN-BRADLEY 42BT
2	1	60314	PLASTIC, 3.75 X 3.75 X .063
3	1	59595	ASSY, CONTROL BOX/PEM RH
4	1	60190	DISPLAY, GT32 COLOR PROGRAMMED
5	1	59638	ASSY, CHAIN COVER
6	1	62342	MOTOR, GEAR 600:1 130V PARALLEL
7	2	38812-1	THERMOCOUPLE, TYPE J SHIELDED 6.00 X 120"
8	1	60192	INVERTER, AC PROG. 640/740G (GAS ONLY)
	1	60638	INVERTER, AC PROG. 640/740E (ELECTRIC ONLY)
9	1	59572	PROBE, AIR SENSING 8.00 LONG
10	1	60635	TUBE, AIR SWITCH
11	1	62044	SWITCH, AIR .08WC (CLEVELAND)
12	1	33983	CONTROL, ELEC HI-LIMIT 240V
13	1	62045	TUBE, AIR SWITCH 18"
14	1	60684	CONTROL, C14RS PROGRAMMED 640/740/840
15	1	58688	THERMOCOUPLE, DIGITAL FP0-TC4
16	1	58669	CONVERTER, DIGITAL FP0-A04I
17	1	33813	FILTER, RFI TYPE F1780DD20
18	1	97525	FAN, 230VAC
19	1	27470-0047	GUARD, FAN
20	1	58679	CONTROLLER, TYPE DBL-2302 DC
21	1	35145	SWITCH, PB MOLVENO 250V
22	2	45036	BREAKER, CIRCUIT 240V 3A
23	2	45037	BREAKER, CIRCUIT 240V 15A
24	1	63909	SWITCH, INTERLOCK 10A NO 2 POLE
25	1	60167	ASSY, CONTROL DOOR RH
26	2	M0593	BLOCK, TERMINAL 2 POLE
27	2	59132	RELAY, DPDT 24VDC COIL
28	1	M9608	POWER SUPPLY, 24VDC S150-24
29	1	22159-0004	SPROCKET, #25 30 TOOTH 1/2" BORE
30	1	60312	ASSEMBLY, COVER PHOTOEYE/PEM



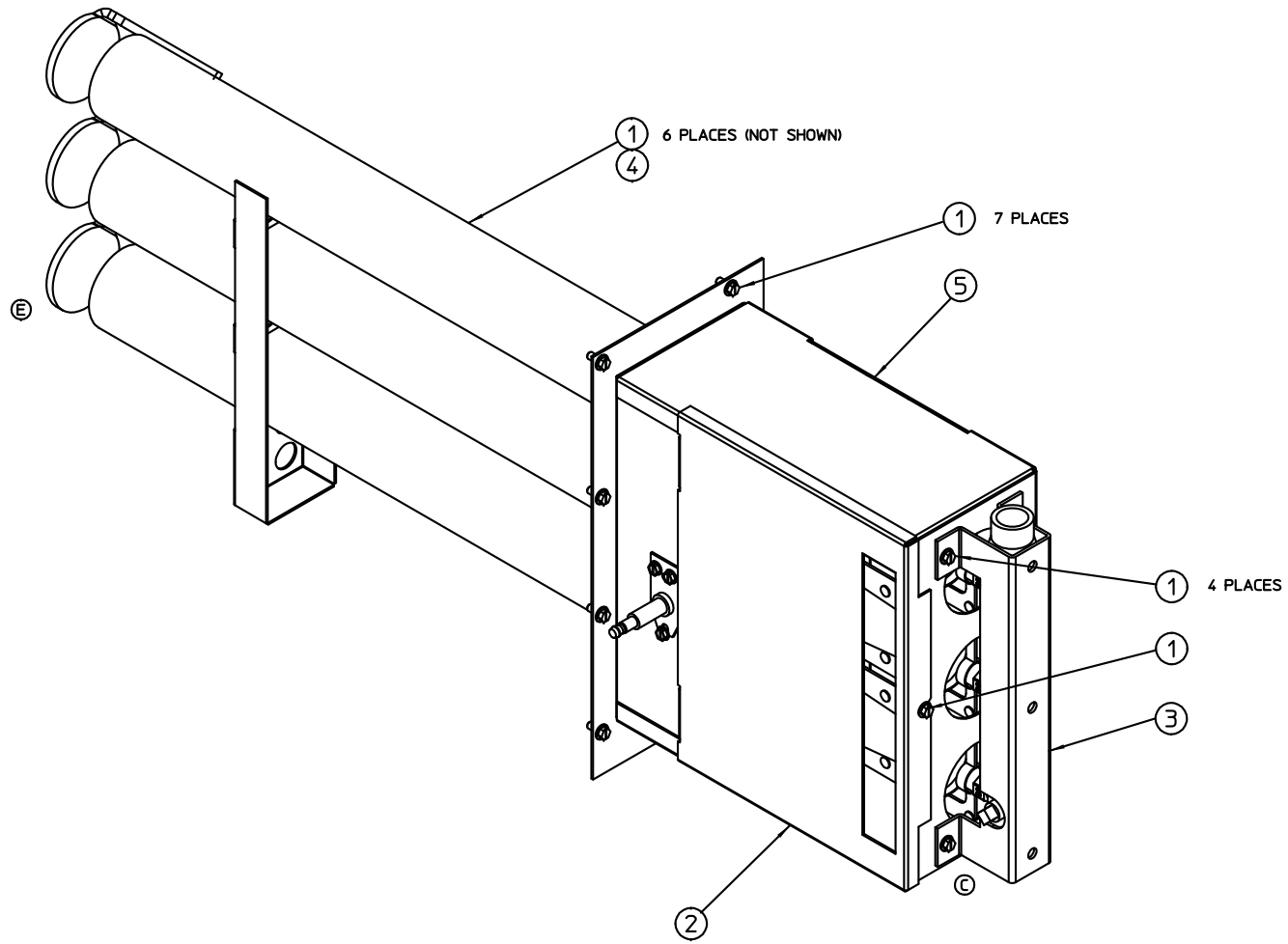
8	1	28021-0047	SWITCH,INTLCK 10A N02P
7	1	61602	IGNITION,SPARK MODULE
6	1	50240	CABLE,IGNITION 25INCH
5	2	32108	XFMR,240V PRI 24V 65VA SEC
4	1	60679	ASSY,VALVE GAS MOD HNYWL
3	1	60315	ASSY,PHOTOEYE SENSOR
2	1	60671	BOARD,SIGNAL COND 0-15VDC
1	1	59921	ASSY,INSHOT MANF
ITEM	QTY	PART NO.	DESCRIPTION

MATERIAL	GAUGE:	TOLERANCE UNLESS SPECIFIED	THIS DRAWING IS CONFIDENTIAL AND PROPERTY OF THE MIDDLEBY CORPORATION 1400 Toastmaster Drive Elgin, Illinois 60120 847-741-3300
FINISH		ANGLES $\pm 1.0^\circ$	
DRAWN	CHECKED	APPROVED	
CONTROL LH PS640G PARTS			
ALL DIMENSIONS ARE IN INCHES UNLESS OTHERWISE SPECIFIED. DO NOT SCALE DRAWING		PART NO	SHT OF REV



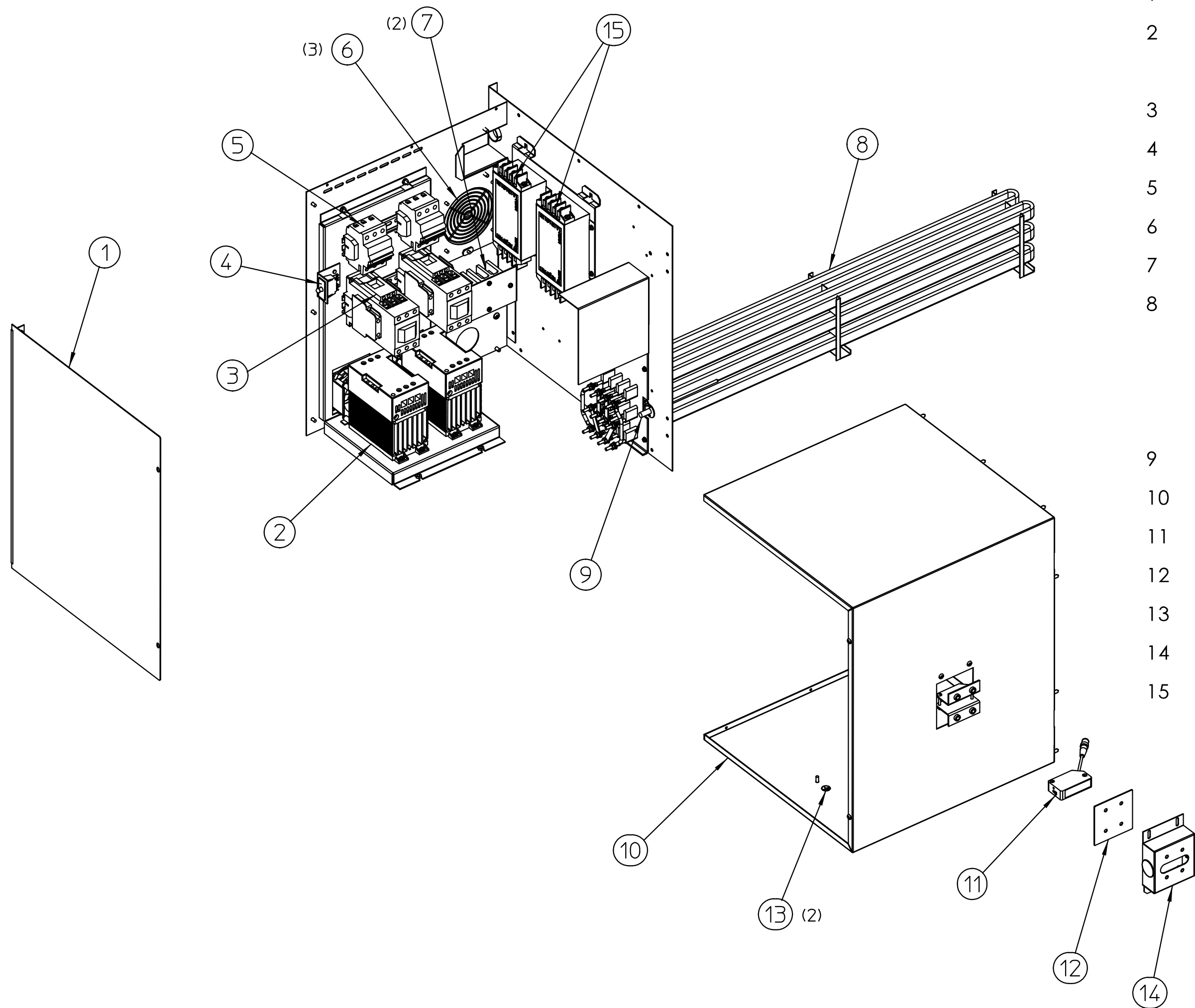
ITEM	QTY	PART NUMBER	DESCRIPTION
1	1	59609	WELDMENT, CONTROL DOOR LH
2	1	61602	IGNITION, SPARK MODULE
3	1	62282	CABLE, IGNITION 24 INCH
4	1	63909	SWITCH, INTERLOCK 10A NO 2 POLE
5	1	60671	BOARD, SIGNAL CONDITIONER
6	1	27470-0004	GUARD, FAN
7	2	32108	TRANSFORMER, 240V PRI 24V 65VA SECONDARY
8	1	60679	ASSY, GAS VALVE MOD HONEYWELL
9	1	64169	REGULATOR, GAS 1/2 X 1/2
10	1	59916	WELDMENT, BURNER TUBE
11	1	62288	ELECTRODE
12	1	59394	WELDMENT, CONTROL BOX LH
13	1	60185	SENSOR, ALLEN-BRADLEY 42BT
14	1	60314	PLASTIC, 3.75 X 3.75 X .063
15	1	60312	ASSEMBLY, COVER PHOTOEYE/PEM
16	3	60940	ORIFICE, MAIN NAT #36 (.1065)
	3	60941	ORIFICE, MAIN LP #51 (.067)
17	1	32127	LABEL, GROUND SYM EL
18	3	59434	BURNER, INSHOT 40K

PS640G/PS740G/PS840G LEFT HAND CONTROL ASSEMBLY



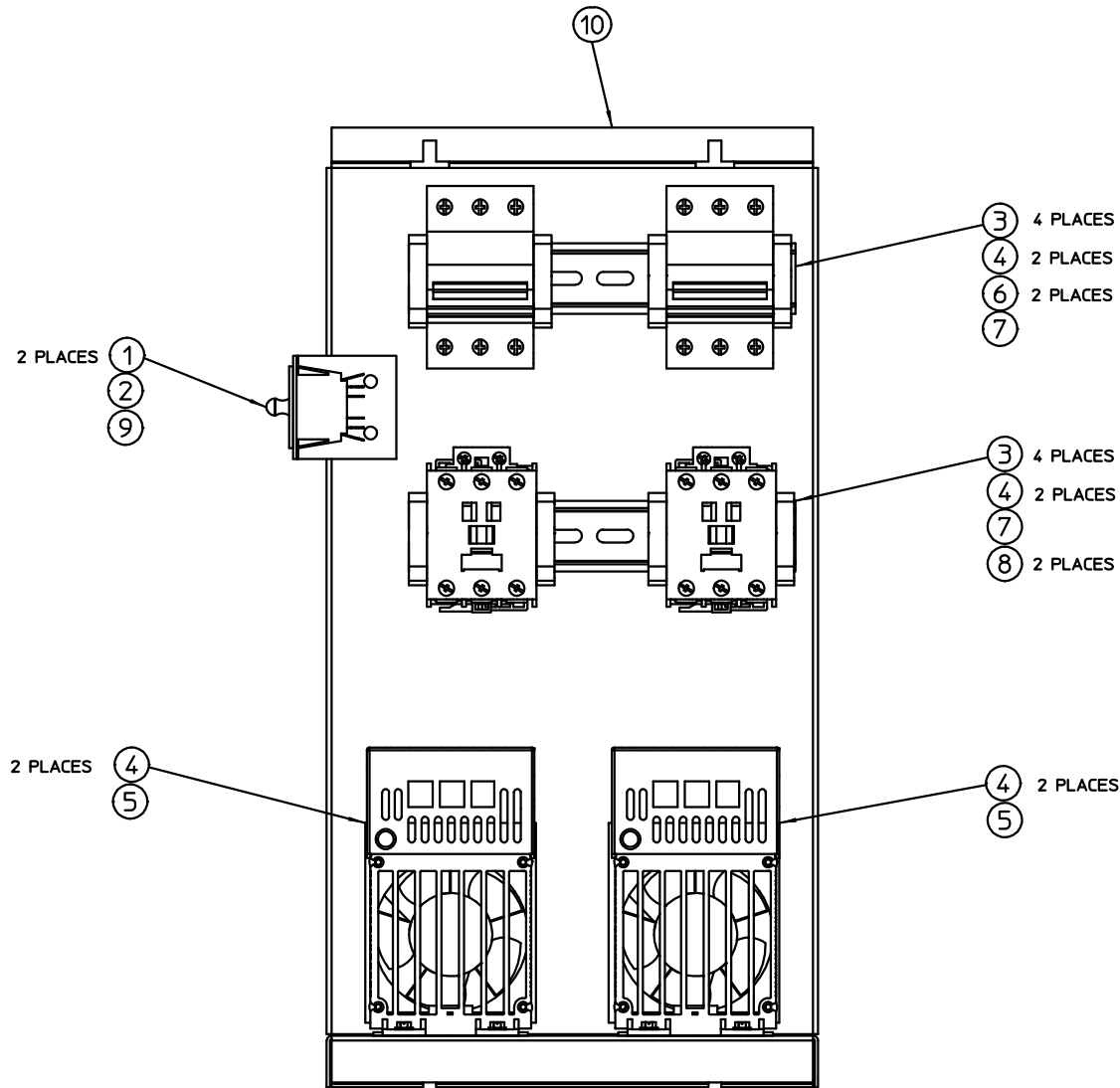
5	1	59920	ASSY,INSHOT HOUSING
4	1	59916	WLDMT,BRNR TUBE (F)
3	1	60965	ASSY,MANF 99,000 BTU/HR (D)
2	1	59461	COVER,INSHOT HOUSING
1	18	44661	SCR,REG HWH 8-32X3/8 NP
ITEM	QTY	PART NO.	DESCRIPTION


MATERIAL	GAUGE:	TOLERANCE UNLESS SPECIFIED	THIS DRAWING IS CONFIDENTIAL AND PROPERTY OF THE MIDDLEBY CORPORATION 1400 Toastmaster Drive Elgin, Illinois 60120 847-741-3300	
FINISH		ANGLES ± 1.0° DEC .X ± .030 .XX ± .015 .XXX ± .005		
DRAWN ET	04/17/2012	CHECKED MSS 05/04/2012		APPROVED MSS 05/04/2012
ASSY, INSHOT MANF				
ALL DIMENSIONS ARE IN INCHES UNLESS OTHERWISE SPECIFIED. DO NOT SCALE DRAWING.		PART NO 5 9 9 2 1	SHT 1 OF 1	REV F

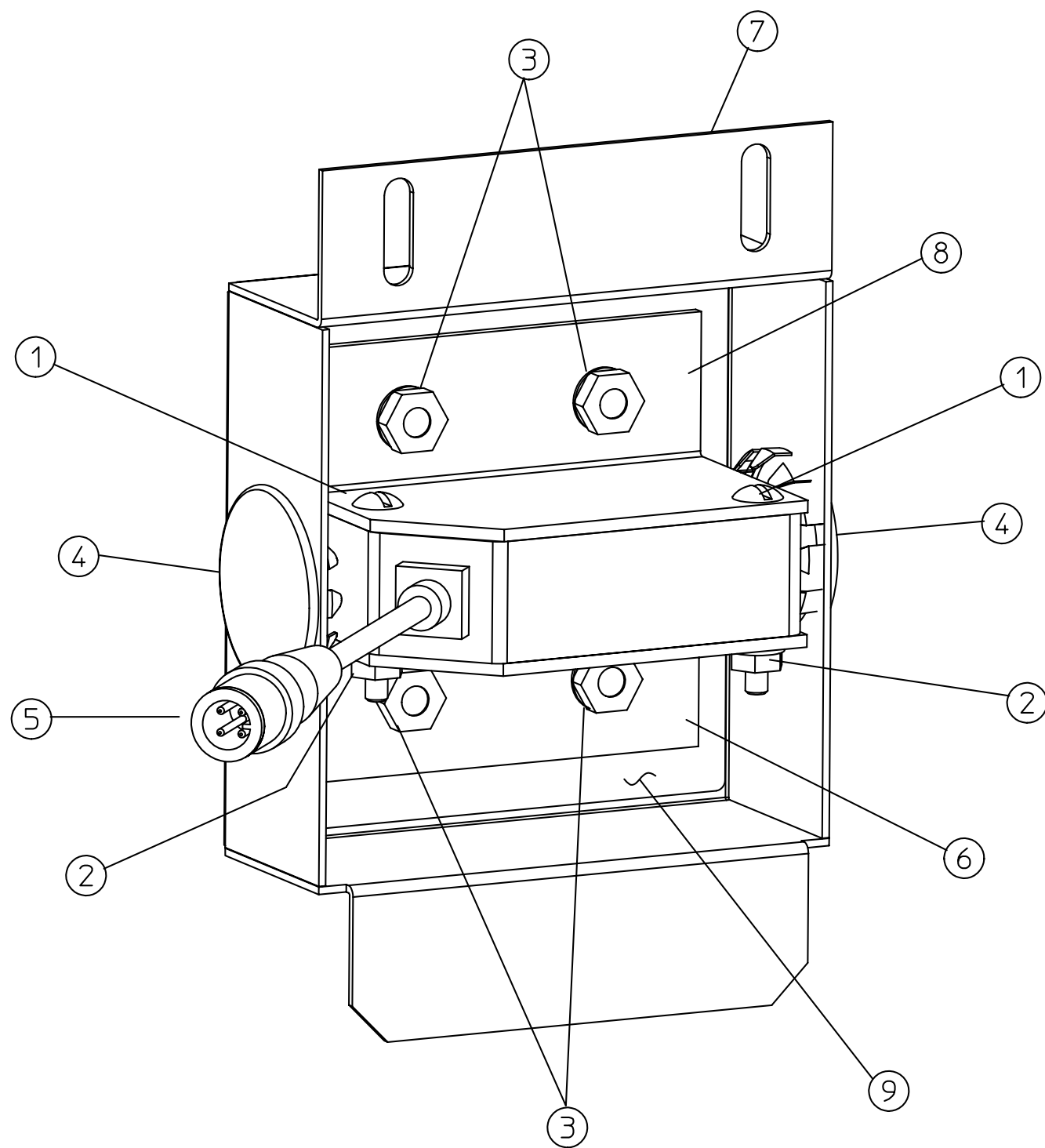


ITEM	QTY	PART NUMBER	DESCRIPTION
1	1	59609	WELDMENT, CONTROL DOOR LH
2	2	44914	CONTROLLER, PS555EL 208-240V
	2	44568	CONTROLLER, 380-480V PS555EL
3	2	60452	CONTACTOR, 24VDC COIL 85 AMP
4	1	63909	SWITCH, INTERLOCK 10A NO 2 POLE
5	2	45019	BREAKER, CIRCUIT 480VAC 63AMP 3 POLE
6	3	27470-0004	GUARD, FAN
7	2	27480-0001	BLOCK, POWER DIST 2 POLES 600V
8	1	60750	ELEMENT, HEATING 208V 27KW (208V & 416V OVENS)
	1	60751	ELEMENT, HEATING 240V 27KW
	1	60752	ELEMENT, HEATING 380V 27KW
	1	60753	ELEMENT, HEATING 480V 27KW
9	1	33812-1	THERMOCOUPLE, TYPE J SHIELDED 6.00 X 120
10	1	59394	WELDMENT, BOX CONTROL LH
11	1	60185	SENSOR, ALLEN-BRADLEY 42BT
12	1	60314	PLASTIC, 3.75 X 3.75 X .063
13	1	32127	LABEL, GROUND SYM EL
14	1	60312	ASSEMBLY, COVER PHOTOEYE/PEM
15	2	58131	FILTER,RFI 50A 400V 3 PH 50/60 HZ (CE ONLY)

PS640E/PS740E/PS840E LEFT HAND CONTROL ASSEMBLY



10	1	60629	ASSY,CTRL REAR COMP/PEM
9	1	60524	BRKT,DOOR SWITCH
8	2	60452	CONTACTOR,24VDC COIL 85A
7	2	45413	RAIL,DIN 7.5 LONG
6	2	45019	BREAKER,CKT 480VAC 63A 3POLE
5	2	44914	CONTROLLER,PS555EL 208-240V
4	8	44661	SCR,REG HWH 8-32X3/8 NP
3	8	33363	END,STOP ENTRELEC
2	1	28021-0047	SWITCH,INTLCK 10A N02P
1	2	21516-0001	RIVET,POP STY1 #43 GR51 SS
ITEM	QTY	PART NO.	DESCRIPTION
MATERIAL		GAUGE:	THIS DRAWING IS CONFIDENTIAL AND PROPERTY OF  THE MIDDLEBY CORPORATION 1400 Toastmaster Drive Elgin, Illinois 60120 847-741-3300
FINISH		TOLERANCE UNLESS SPECIFIED	
		ANGLES ± 1.0°	
		DEC .X ±.030 .XX ±.015 .XXX ±.005	
DRAWN	CHECKED	APPROVED	
FC	01/11/2000 WSS	05/01/2000 WSS	
ASSY, CTRL REAR COMP 208 / 240			
ALL DIMENSIONS ARE IN INCHES UNLESS OTHERWISE SPECIFIED. DO NOT SCALE DRAWING		PART NO	SHT
		6 0 6 6 8	1 OF 1
			REV B_

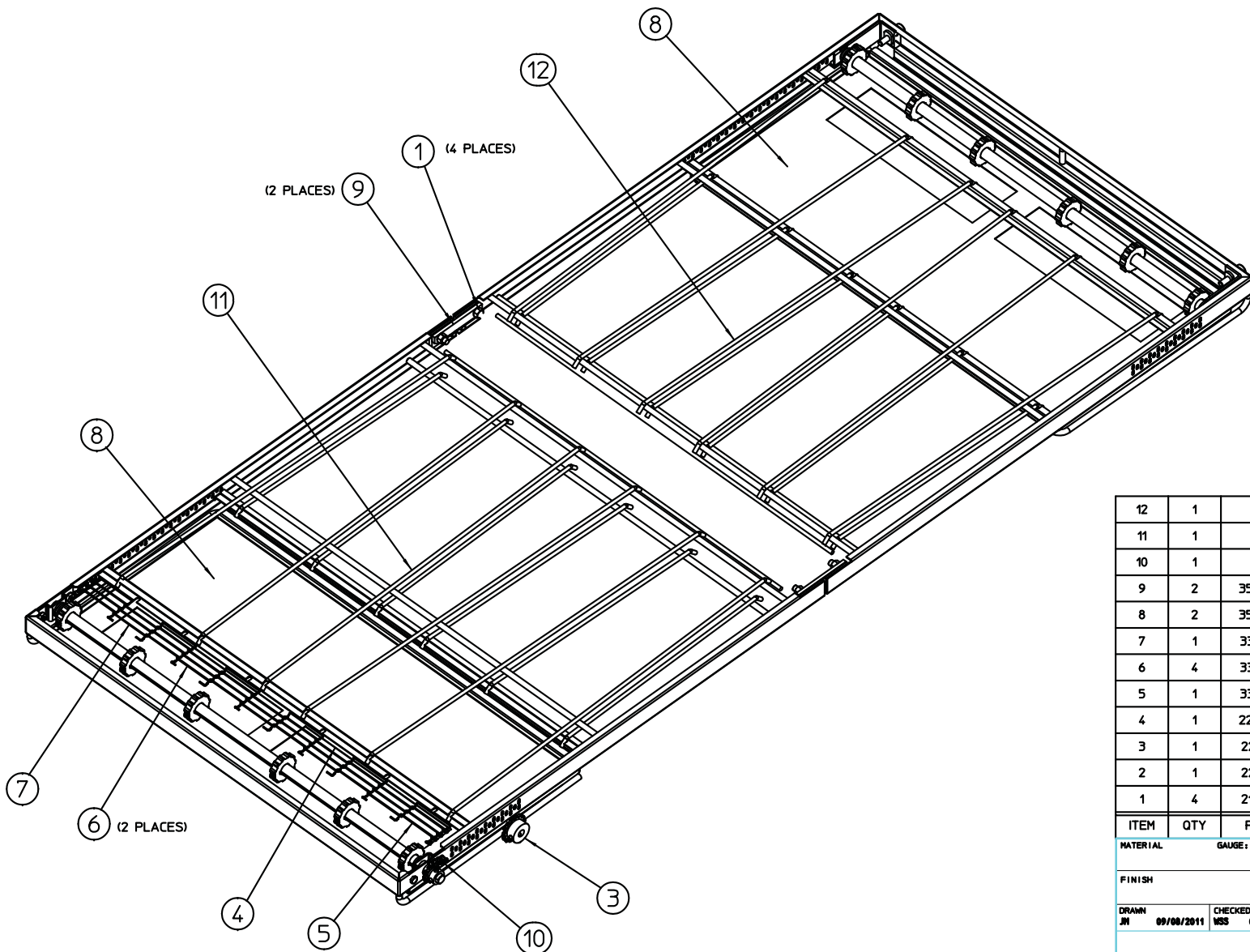


9	1	60314	PLASTIC,3.375X3.375X.063
8	1	61819	ASSY, BRKT SENSOR/PEM, TOP
7	1	60312	ASSY,COVER PHOTOEYE/PEM
6	1	61820	ASSY, BRKT SENSOR/PEM, BTM
5	1	60185	SENSOR,ALLEN-BRADLEY 42BT
4	2	3102533	PLUG,HOLE 1.125 DIA.
3	4	2001371	NUT,KEPS 10-32 ZP
2	2	2001327	NUT,NYLOK 6-32
1	2	1412L8805	SCR,THM 6-32X1-1/4
ITEM	QTY	PART NO.	DESCRIPTION

MATERIAL GAUGE: TOLERANCE UNLESS SPECIFIED
 FINISH DEC .X ±.030 ANGLES ± 1.0°
 .XX ±.015
 .XXX ±.005
 DRAWN JH 11/21/2008 CHECKED WSS 12/05/2008 APPROVED WSS 12/05/2008
 THIS DRAWING IS CONFIDENTIAL AND PROPERTY OF
THE MIDDLEBY CORPORATION
 1400 Toastmaster Drive
 Elgin, Illinois 60120
 847-741-3300

ASSY, PHOTOEYE SENSOR

ALL DIMENSIONS ARE IN INCHES UNLESS OTHERWISE SPECIFIED. DO NOT SCALE DRAWING
 PART NO. **60315** SHT 1 OF 1 REV C_

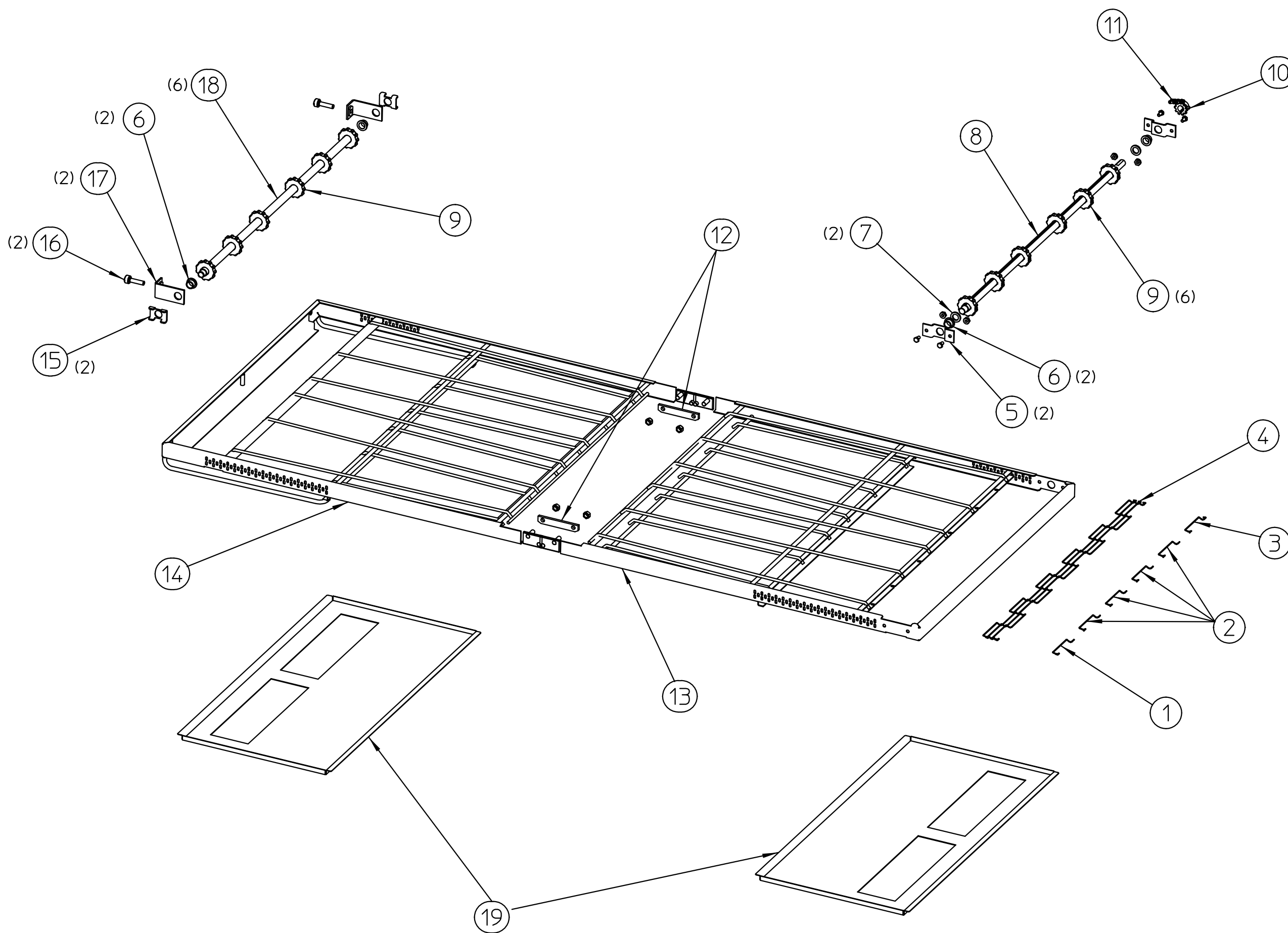


ITEM	QTY	PART NO.	DESCRIPTION
12	1	60182	ASSY,CONVEYOR IDLER SIB
11	1	60178	ASSY,CONVEYOR DRIVE SIB
10	1	60123	ASSY,CHAIN ROLLER 19-5/8
9	2	35900-0398	PLATE,PIVOT CONV FRAME PS200
8	2	35900-0255	PAN,CRUMB W/SLOTS CONVEYOR
7	1	33900-0018	LINK,MASTER RIGHT-1/2P X 32'
6	4	33900-0017	LINK,MASTER MIDDLE-1/2P X 32'
5	1	33900-0016	LINK,MASTER LEFT-1/2P X 32'
4	1	22450-0225	BELT,CONV 1/2P 32X146 2.8/11SP
3	1	22151-0003	SPRKT,#35-15T-1/2"BORE (PS200)
2	1	22151-0002	SPRKT,#35-10T-5/8"BORE (PS200)
1	4	21176-0002	NUT,LOCKHEX 3/8-16 SS

MATERIAL	GAUGE:	TOLERANCE UNLESS SPECIFIED	THIS DRAWING IS CONFIDENTIAL AND PROPERTY OF THE MIDDLEBY CORPORATION 1400 Toastmaster Drive Elgin, Illinois 60120 847-741-3300
FINISH		ANGLES ± 1.0° DEC .X ± .030 .XX ± .015 .XXX ± .005	
DRAWN JH	CHECKED MSS 09/08/2011	APPROVED MSS 09/14/2011	

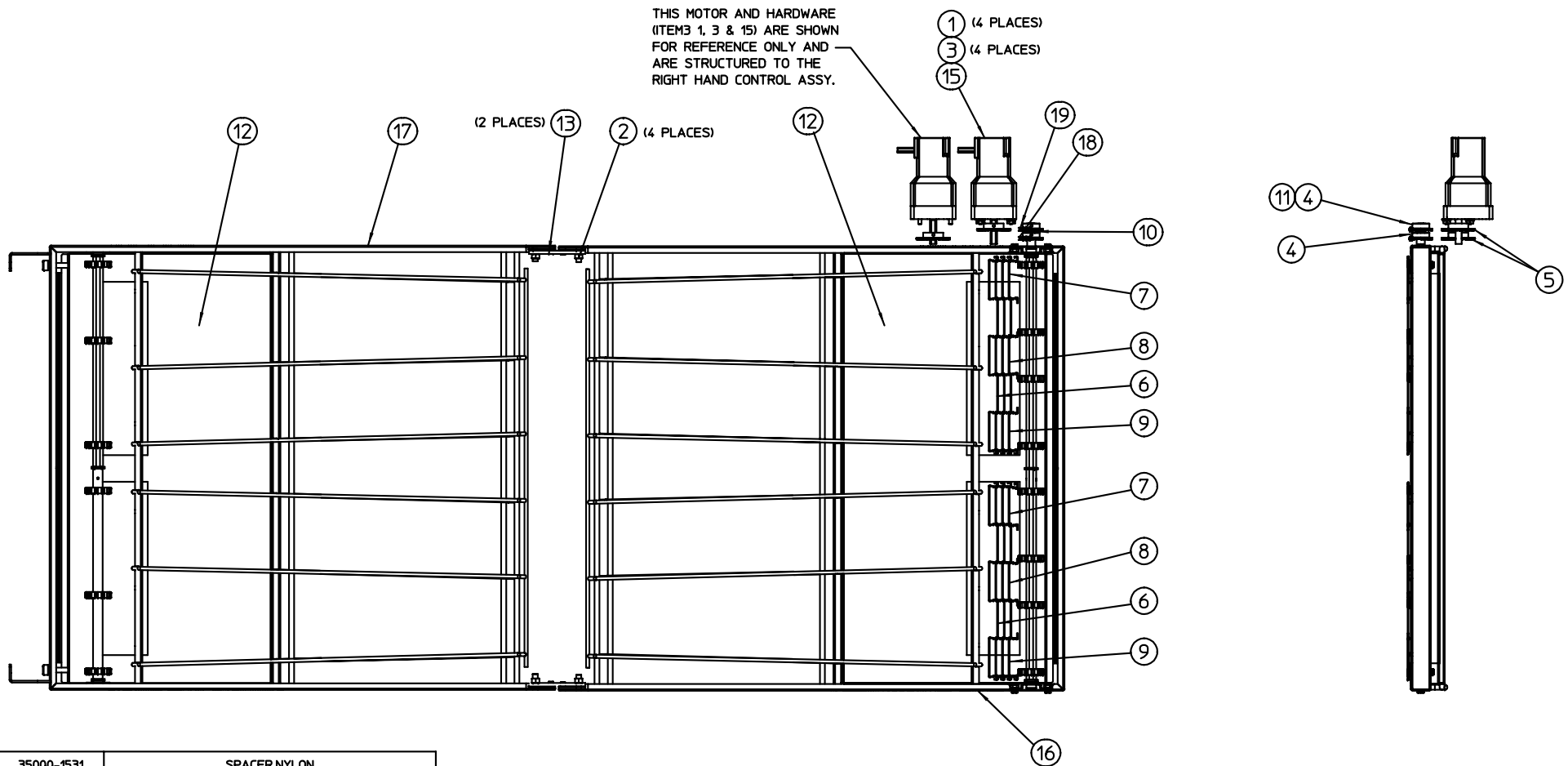
ASSY , CONVEYOR SIB

ALL DIMENSIONS ARE IN INCHES UNLESS OTHERWISE SPECIFIED. DO NOT SCALE DRAWING	PART NO 6 0 0 9 9	SHT 1 OF 1	REV D
---	----------------------	---------------	----------



ITEM	QTY	PART NUMBER	DESCRIPTION
1	1	33900-0018	LINK, MASTER LEFT 1/2 X 32"
2	4	33900-0017	LINK, MASTER MIDDLE 1/2 X 32"
3	1	33900-0016	LINK, MASTER RIGHT 1/2 X 32"
4	1	22450-0225	BELT, CONVEYOR 1/2P 32 X 146 2.8/11SP
5	2	49972	BRKT, CONVEYOR SUPPORT PS536
6	4	22034-0003	BUSH, FLANGE 3/4 OD X 5/8 OD N/D
7	2	65173	WASHER, FLT NYLON .631 X 1.00 X .128
8	1	66548	SHAFT, DRIVE CONVEYOR
9	12	22229-0003	SPROCKET, CONV DRIVE 2.0 DIA W/SCREW
10	1	22151-0002	SPROCKET, #35 10 TOOTH 5/8 BORE
11	1	60123	ASSY, ROLLER CHAIN 19-5/8
12	2	35900-0398	PLATE, PIVOT CONNECTOR FRAME
13	1	60176	WELDMENT, CONVEYOR DRIVE
14	1	60590	WELDMENT, CONVEYOR IDLER
15	2	60179	BRACKET, SLIDER CONVEYOR
16	2	35000-1008	SCREW, ADJUSTER CONVEYOR IDLER
17	2	37000-0413	WELDMENT, IDLER
18	1	35000-1011	SHAFT, IDLER CONVEYOR
19	2	35900-0225	CRUMB PAN WITH SLOTS CONVEYOR

FULL CONVEYOR ASSEMBLY P/N 60099
 PS640/PS740/PS840 SINGLE BELT CONVEYOR
 AND
 PS640VE2/PS740VE2/840VE2 SINGLE BELT CONVEYOR



THIS MOTOR AND HARDWARE (ITEMS 1, 3 & 15) ARE SHOWN FOR REFERENCE ONLY AND ARE STRUCTURED TO THE RIGHT HAND CONTROL ASSY.

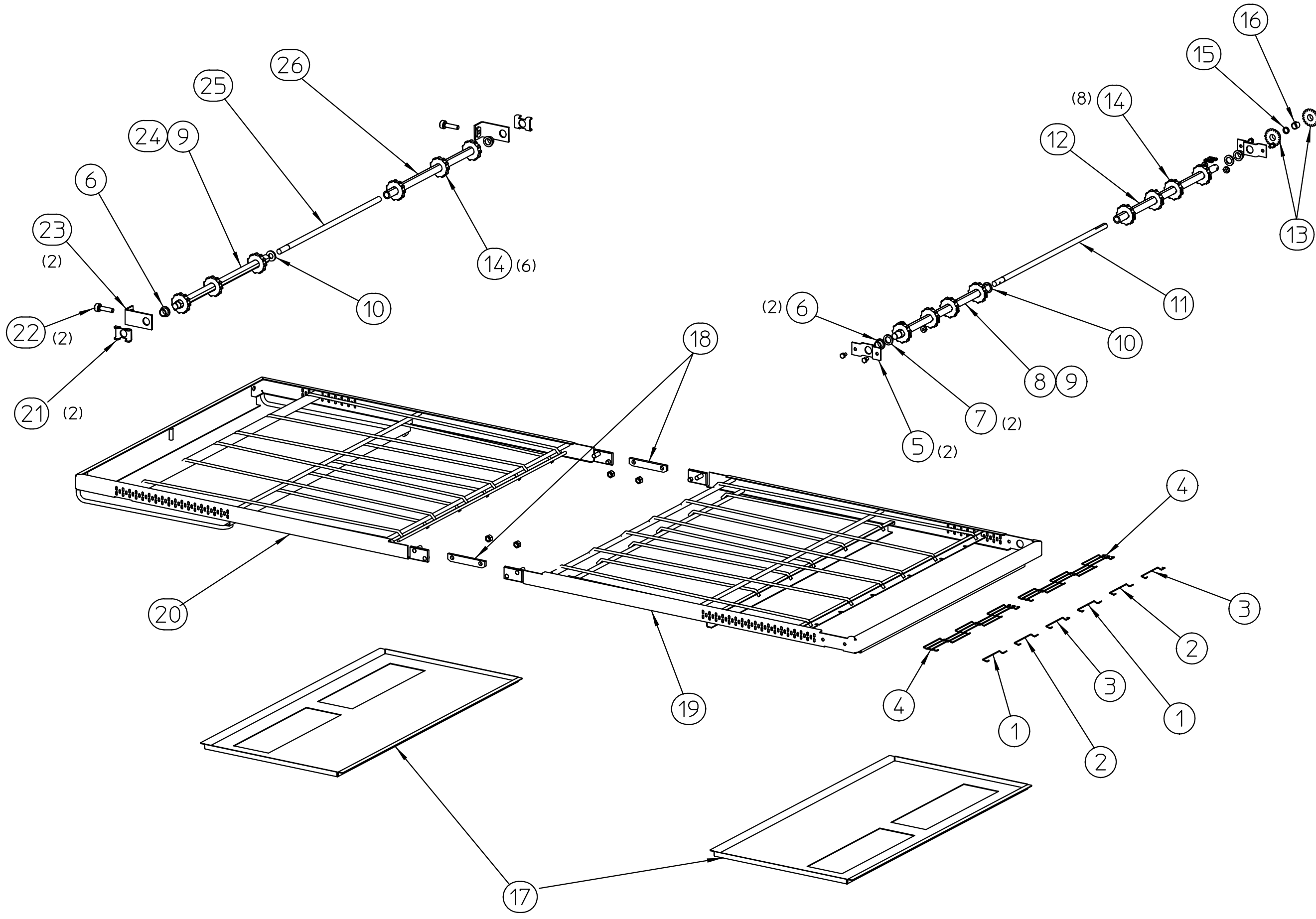
10	1	35000-1531	SPACER,NYLON				
9	2	33900-0018	LINK,MASTER RIGHT-1/2P X 32"	19	1	60998	ASSY,CHAIN ROLLER #25 X 14
8	2	33900-0017	LINK,MASTER MIDDLE-1/2P X 32"	18	1	60996	ASSY,CHAIN ROLLER #25 X 21
7	2	33900-0016	LINK,MASTER LEFT-1/2P X 32"	17	1	60993	ASSY,CONVEYOR IDLER SPB
6	2	22450-0226	BELT,CONV 1/2P 15X146 2.86/5SP	16	1	60992	ASSY,CONVEYOR DRIVE SPB
5	2	22159-0004	SPRKT,25 CHAIN 30T 1/2B	15	1	62342	MTR,GEAR 600:1 130VDC PRLEL
4	2	22159-0003	SPRKT,25 CHAIN 20T 5/8B	14	1	58679	CONTROLLER,TYPE DBL-2302 DC (NOT SHOWN)
3	4	21416-0005	WASHER,FLAT 1/4 SS	13	2	35900-0398	PLATE,PIVOT CONV FRAME PS200
2	4	21176-0002	NUT,LOCKHEX 3/8-16 SS	12	2	35900-0255	PAN,CRUMB W/SLOTS CONVEYOR
1	4	2001414	NUT,KEPS 1/4-20 ZP	11	1	35900-0023	BUSH,SPROCKET-FRONT DRIVE
ITEM	QTY	PART NO.	DESCRIPTION	ITEM	QTY	PART NO.	DESCRIPTION

MATERIAL	GAUGE:	TOLERANCE UNLESS SPECIFIED	THIS DRAWING IS CONFIDENTIAL AND PROPERTY OF THE MIDDLEBY CORPORATION 1400 Toadmaster Drive Elgin, Illinois 60120 847-741-3300
FINISH		ANGLES ± 1.0°	
		DEC .X ± .030 .XX ± .015 .XXX ± .005	
DRAWN RB	CHECKED MSS 03/05/2010	APPROVED MSS 03/23/2010	

ASSY, CONVEYOR SPB

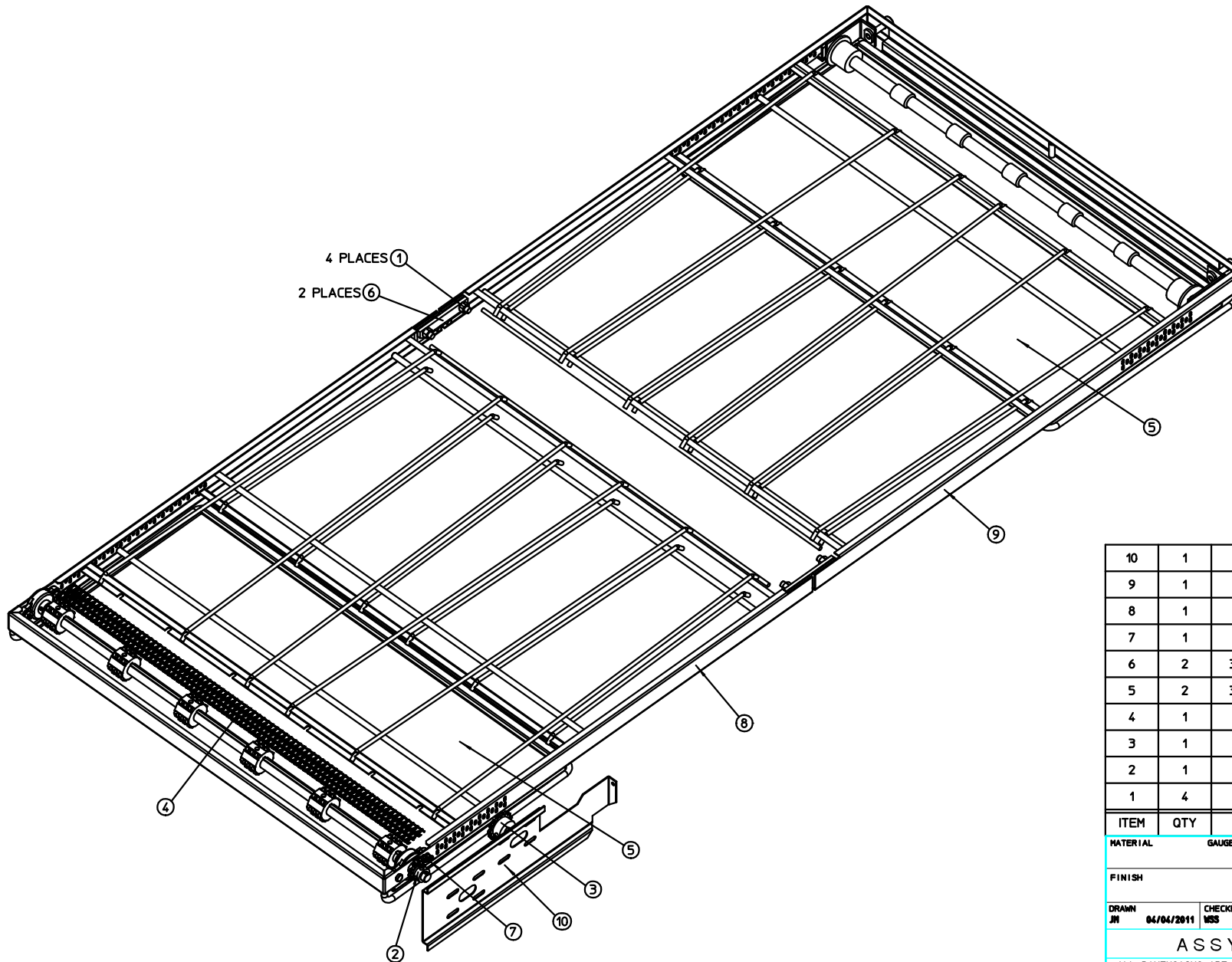
ALL DIMENSIONS ARE IN INCHES UNLESS OTHERWISE SPECIFIED. DO NOT SCALE DRAWING

PART NO 60180 SHT 1 OF 1 REV D



ITEM	QTY	PART NUMBER	DESCRIPTION
1	2	33900-0018	LINK, MASTER LEFT 1/2 X 32"
2	2	33900-0017	LINK, MASTER MIDDLE 1/2 X 32"
3	2	33900-0016	LINK, MASTER RIGHT 1/2 X 32"
4	2	22450-0226	BELT, CONV 1/2P 15 X 146 2.86/5 SP
5	2	49972	BRKT, CONVEYOR SUPPORT PS536
6	4	22034-0003	BUSH, FLANGE 3/4 OD X 5/8 OD N/D
7	2	65173	WASHER, FLT NYLON .631 X 1.00 X .128
8	1	66551	SHAFT, DRIVE FRONT SPB
9	2	21646-0004	PIN, ROLL SS H-DUTY 1/8" X 3/4"
10	2	21415-0001	WASHER, FLAT 1" X 1/2" X 1/8" THK BRZ
11	1	35621	SHAFT, DRIVE CONVEYOR SB-68" 200RL
12	1	66552	SHAFT, DRIVE REAR SPB
13	2	22159-0003	SPROCKET, #25 20 TOOTH 5/8 BORE
14	14	22229-0003	SPROCKET, CONV DRIVE 2.0 DIA W/SCREW
15	1	35000-1531	SPACER, NYLON
16	1	35900-0023	BUSH, SPROCKET FRONT DRIVE
17	2	35900-0225	CRUMB PAN WITH SLOTS CONVEYOR
18	2	35900-0398	PLATE, PIVOT CONNECTOR FRAME
19	1	60176	WELDMENT, CONVEYOR DRIVE
20	1	60590	WELDMENT, CONVEYOR IDLER
21	2	60179	BRACKET, SLIDER CONVEYOR
22	2	35000-1008	SCREW, ADJUSTER CONVEYOR IDLER
23	2	37000-0413	WELDMENT, IDLER
24	1	35000-1534	SHAFT, FRONT CONVEYOR
25	1	35000-1532	SHAFT, CONN FRONT CONV IDLER 360SB
26	1	35000-1535	SHAFT, REAR CONVEYOR IDLER

FULL CONVEYOR ASSEMBLY P/N 60180
 PS640/PS740/PS840 SPLIT BELT CONVEYOR
 AND
 PS640VE2/PS740VE2/PS840VE2 SPLIT BELT CONVEYOR

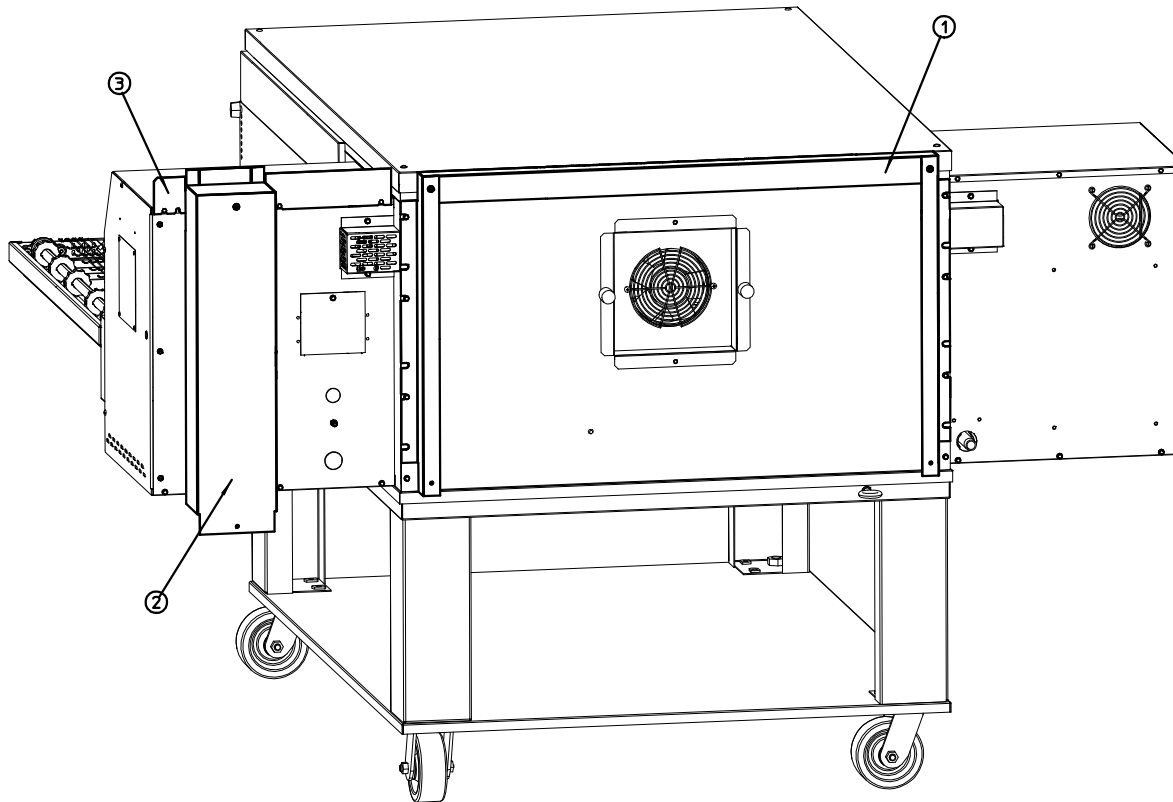


10	1	65151	BRKT,MTR FRNT WALL SUPPORT
9	1	66534	ASSY,CONVEYOR IDLER SIB MHB
8	1	66533	ASSY,CONVEYOR DRIVE SIB MHB
7	1	60123	ASSY,CHAIN ROLLER 19-5/8
6	2	35900-0398	PLATE,PIVOT CONV FRAME PS200
5	2	35900-0038	PAN,CRUMB CONV FRAME (PS200)
4	1	65359	BELT,MHB 31.1' X 13'
3	1	22151-0003	SPRKT,#35-15T-1/2"BORE (PS200)
2	1	22151-0002	SPRKT,#35-10T-5/8"BORE (PS200)
1	4	21176-0002	NUT,LOCKHEX 3/8-16 SS

ITEM	QTY	PART NO.	DESCRIPTION
MATERIAL		GAUGE:	TOLERANCE UNLESS SPECIFIED
FINISH			ANGLES ± 1.0°
DRAWN		CHECKED	APPROVED
JM 04/04/2011		MSS 04/26/2011	MSS 04/26/2011

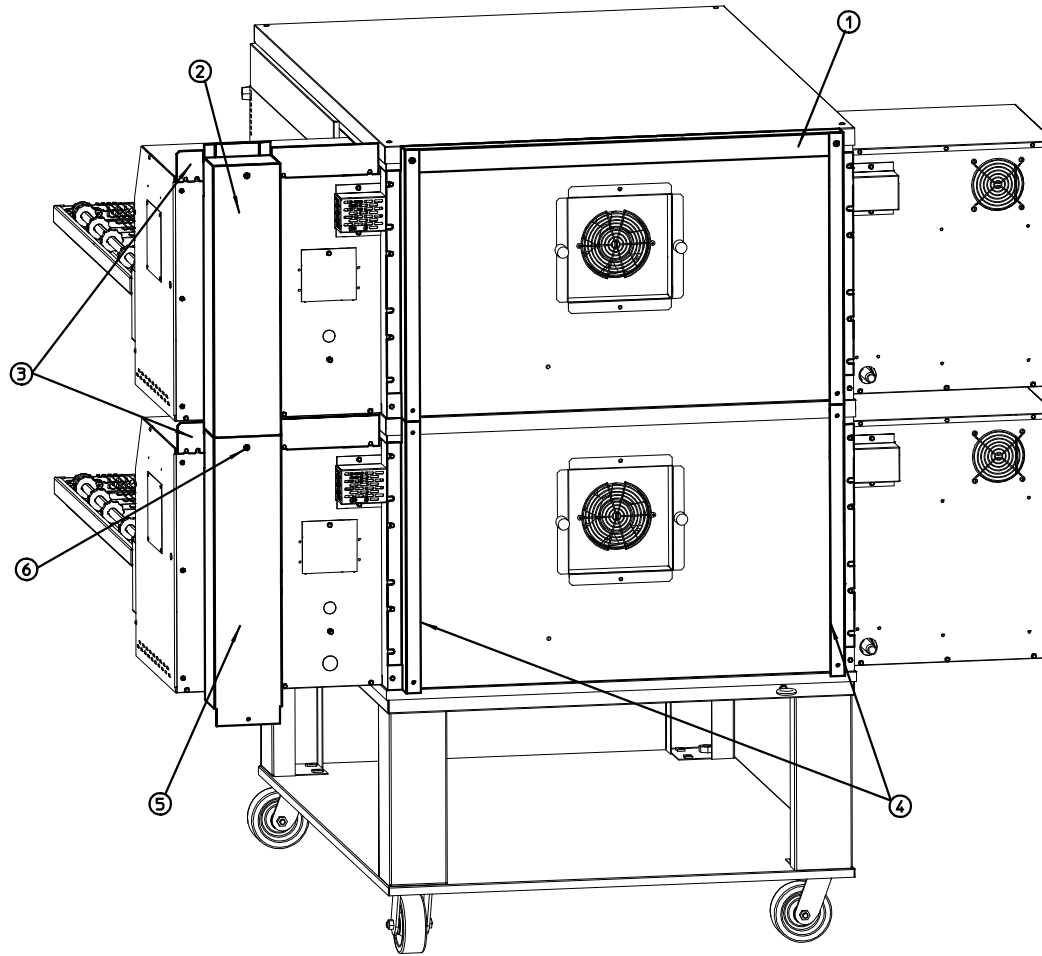
THIS DRAWING IS CONFIDENTIAL AND PROPERTY OF
THE MIDDLEBY CORPORATION
 1400 Toastmaster Drive
 Elgin, Illinois 60120
 847-741-3300

ASSY, CONVEYOR MHB SIB 640		
ALL DIMENSIONS ARE IN INCHES UNLESS OTHERWISE SPECIFIED. DO NOT SCALE DRAWING	PART NO 66532	SHT 1 OF 1
		REV B



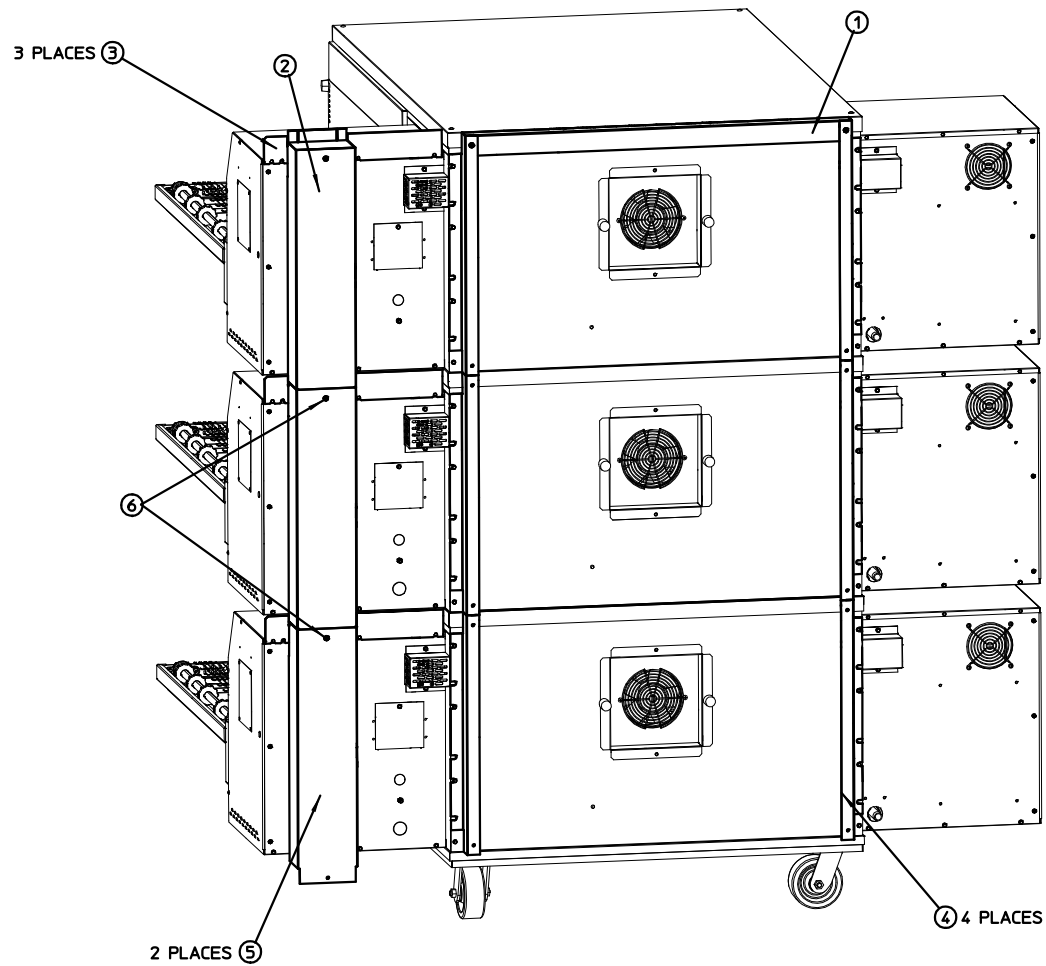
ITEM	QTY	PART NO.	DESCRIPTION
3	1	60832	PLATE,AIRBLOCK 640/740/840/542
2	1	65133	ASSY,SNORKEL/TOP
1	1	65134	ASSY,CENTER SNORKEL/TOP

MATERIAL		GAUGE:	TOLERANCE UNLESS SPECIFIED	THIS DRAWING IS CONFIDENTIAL AND PROPERTY OF THE MIDDLEBY CORPORATION 1400 Toastmaster Drive Elgin, Illinois 60120 847-741-3300
FINISH			ANGLES ± 1.0° DEC .X ± .030 .XX ± .015 .XXX ± .005	
DRAWN	CHECKED	APPROVED		
JM 07/21/2011	AJ 08/03/2011	AJ 08/03/2011		
KIT, SNORKEL / AIRBLCK SINGLE				
ALL DIMENSIONS ARE IN INCHES UNLESS OTHERWISE SPECIFIED. DO NOT SCALE DRAWING			PART NO	SHT
			6 6 9 8 2	1 OF 1
				REV
				B_



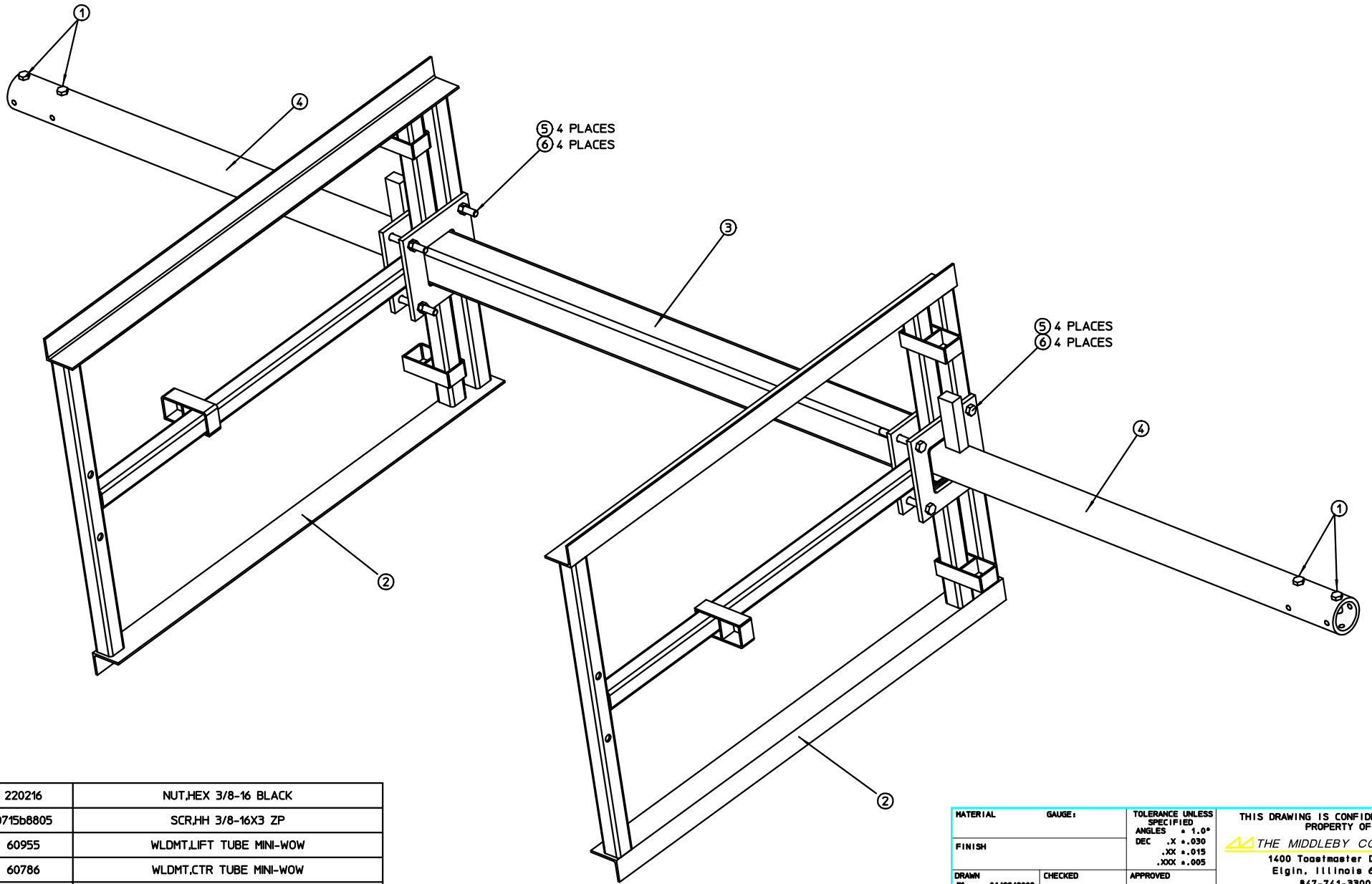
MATERIAL		GAUGE:	TOLERANCE UNLESS SPECIFIED	THIS DRAWING IS CONFIDENTIAL AND PROPERTY OF THE MIDDLEBY CORPORATION 1400 Toastmaster Drive Elgin, Illinois 60120 847-741-3300
FINISH			ANGLES ± 1.0° DEC .X ± .030 .XX ± .015 .XXX ± .005	
DRAWN JM	07/21/2011	CHECKED AJ	08/03/2011	APPROVED AJ
KIT, SNORKEL / AIRBLCK DOUBLE				
ALL DIMENSIONS ARE IN INCHES UNLESS OTHERWISE SPECIFIED. DO NOT SCALE DRAWING			PART NO 66983	SHT 1 OF 1
				REV B_

ITEM	QTY	PART NO.	DESCRIPTION	ITEM	QTY	PART NO.	DESCRIPTION
3	2	60832	PLATE,AIRBLOCK 640/740/840/542	6	1	2000852	SCR,TEKS HWH 10-16X1/2 ZP
2	1	65133	ASSY,SNORKEL/TOP	5	1	65135	GUARD,SNORKEL FAN
1	1	65134	ASSY,CENTER SNORKEL/TOP	4	2	65137	GUARD,SNORKEL CENTER



MATERIAL		GAUGE:	TOLERANCE UNLESS SPECIFIED	THIS DRAWING IS CONFIDENTIAL AND PROPERTY OF THE MIDDLEBY CORPORATION 1400 Toastmaster Drive Elgin, Illinois 60120 847-741-3300	
FINISH			ANGLES ± 1.0° DEC .X ± .030 .XX ± .015 .XXX ± .005		
DRAWN JM	07/21/2011	CHECKED AJ	08/03/2011	APPROVED AJ	08/03/2011
KIT, SNORKEL / AIRBLCK TRIPLE					
ALL DIMENSIONS ARE IN INCHES UNLESS OTHERWISE SPECIFIED. DO NOT SCALE DRAWING			PART NO 6 6 9 8 4	SHT 1 OF 1	REV B_

ITEM	QTY	PART NO.	DESCRIPTION	ITEM	QTY	PART NO.	DESCRIPTION
3	3	60832	PLATE,AIRBLOCK 640/740/840/542	6	2	2000852	SCR,TEKS HWH 10-16X1/2 ZP
2	1	65133	ASSY,SNORKEL/TOP	5	2	65135	GUARD,SNORKEL FAN
1	1	65134	ASSY,CENTER SNORKEL/TOP	4	4	65137	GUARD,SNORKEL CENTER

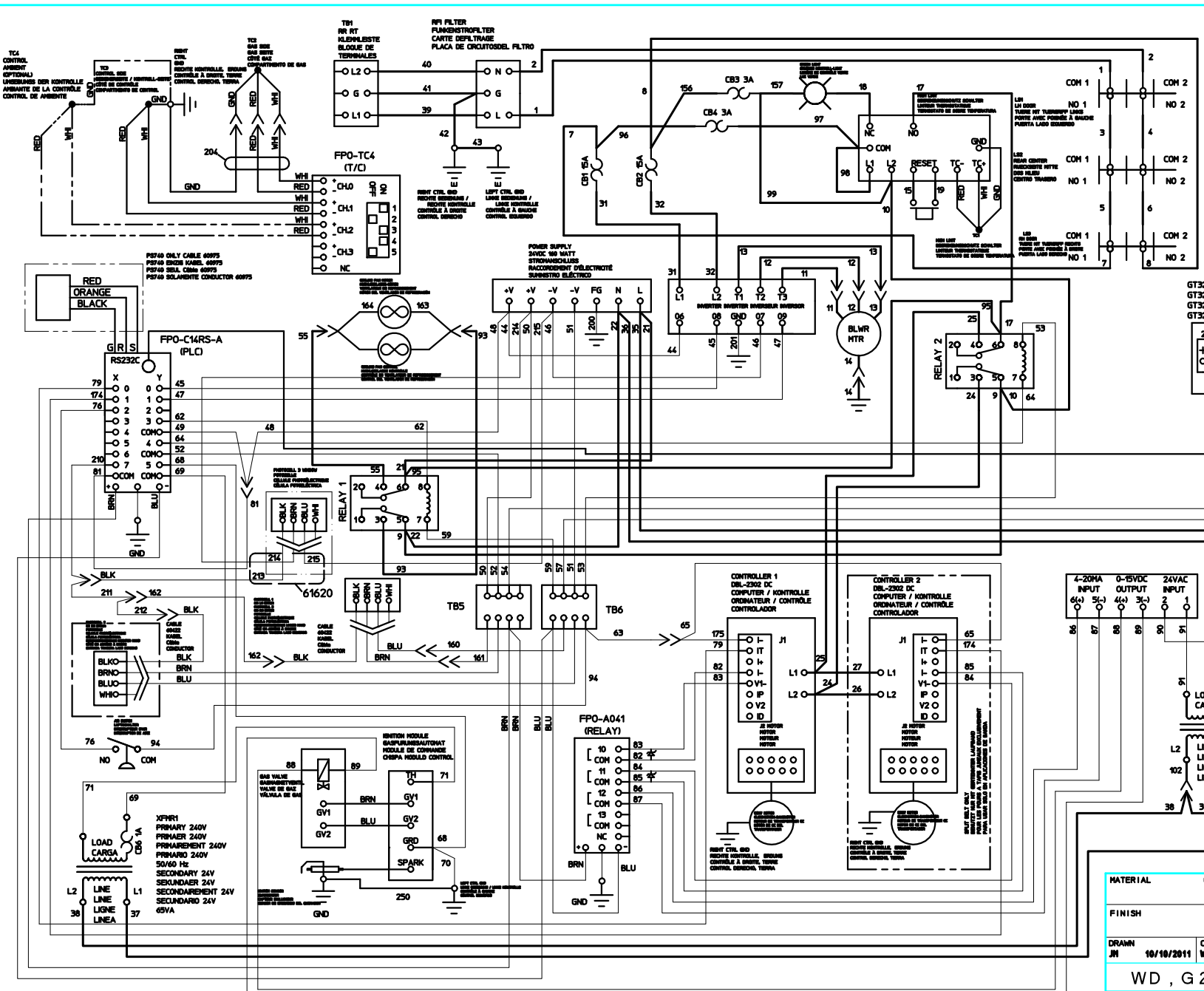


⑤ 4 PLACES
⑥ 4 PLACES

⑤ 4 PLACES
⑥ 4 PLACES

6	8	220216	NUT,HEX 3/8-16 BLACK
5	8	D715b8805	SCR,HH 3/8-16X3 ZP
4	2	60955	WLDMT,LIFT TUBE MINI-WOW
3	1	60786	WLDMT,CTR TUBE MINI-WOW
2	2	60784	WLDMT,OVEN LIFT BRKT MINI-WOW
1	4	2000531	SCR,CAP HX HD 3/8-16X1 NP
ITEM	QTY	PART NO.	DESCRIPTION

MATERIAL	GAUGE:	TOLERANCE UNLESS SPECIFIED	THIS DRAWING IS CONFIDENTIAL AND PROPERTY OF THE MIDDLEBY CORPORATION 1400 Toastmaster Drive Elgin, Illinois 60120 847-741-3300	
FINISH		ANGLES $\pm 1.0^\circ$ DEC $.X \pm .030$ $.XX \pm .015$ $.XXX \pm .005$		
DRAWN JM	CHECKED	APPROVED		
TOOL , COMPL LIFT ASSY MINI-WOW				
ALL DIMENSIONS ARE IN INCHES UNLESS OTHERWISE SPECIFIED. DO NOT SCALE DRAWING		PART NO 60956	SHT 1 OF 1	REV B_



REV	DATE	ECN	REVISION DESCRIPTION	BY	CHK	DATE
L	09/25/2009	009204	DISPLAY WAS 'GT30', JOINED WIRE 65 TO 175, JOINED BRN WIRES AT TB5, ADD NOMENCLATURE	RB	WSS	10/08/2009
M	04/21/2010	010079	TC4 MADE OPTIONAL	RB	WSS	04/22/2010
N	10/10/2011	011293	INVERTER UPDATE, REMOVED 252 WIRE AND INVERTER JUMPER	JH	WSS	10/11/2011
VOLTAGE		TOTAL KILOWATTS	PHASE	L1	L2	
208		2.3	1	11	11	
240		2.3	1	9.6	9.6	

- BLACK
SCHWARTZ
NOIR
NEGRO
- BLUE
BLAU
BLEU
AZUL
- BROWN
BRAUN
BRUN
MARRON
- GND
GRUN
TERRE
VERDE
- ORANGE
ORANGE
ORANGE
NARANJA
- RED
ROT
ROUGE
ROJO
- WHITE
WEISS
BLANC
BLANCO

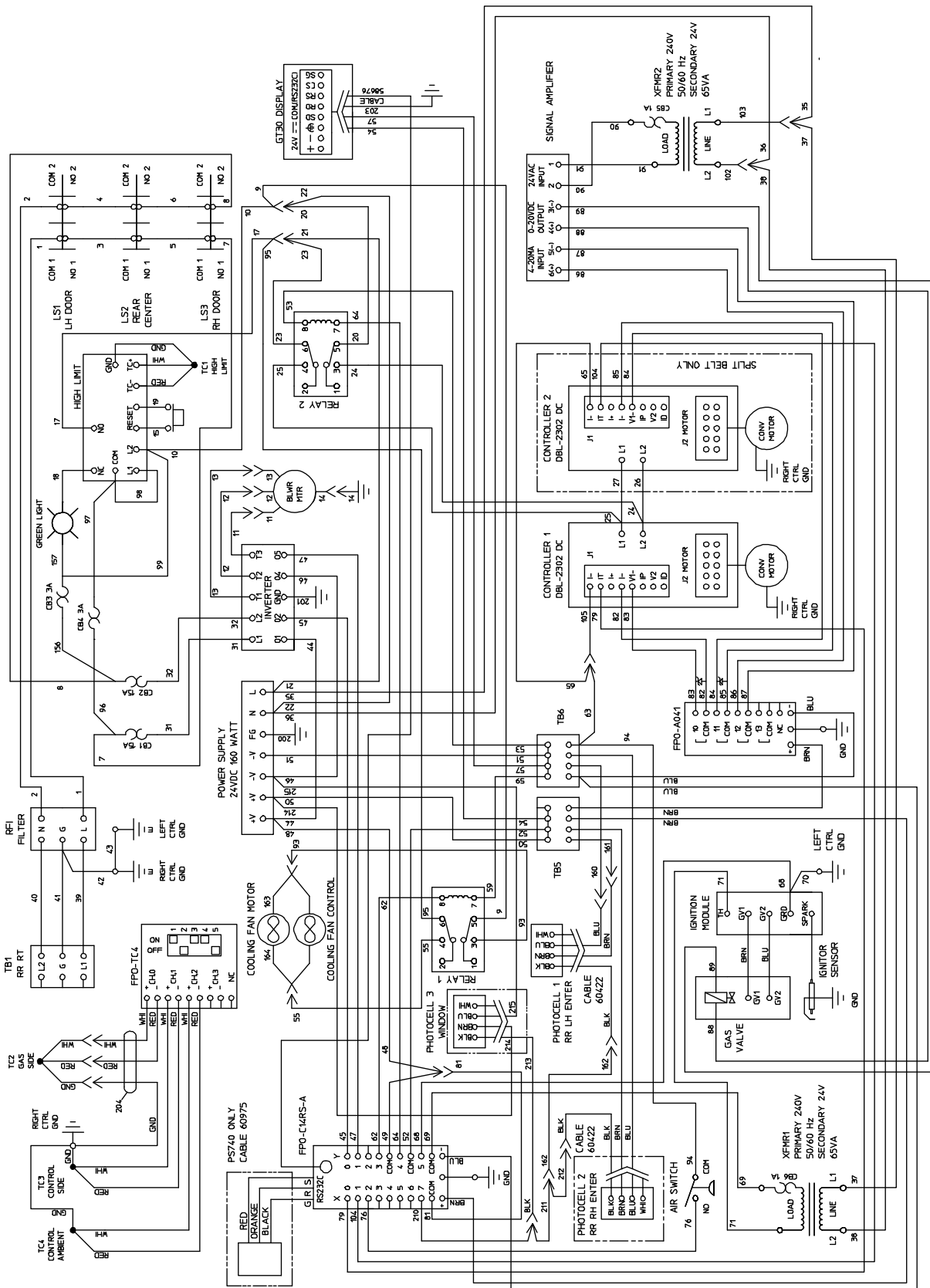
ENG/GM/FR/SP
WD LABEL P/N 60233

MATERIAL	GAUGE:	TOLERANCE UNLESS SPECIFIED	THIS DRAWING IS CONFIDENTIAL AND PROPERTY OF THE MIDDLEBY CORPORATION 1400 Toogmaster Drive Elgin, Illinois 60120 847-741-3300		
FINISH		ANGLES ± 1.0° DEC .X ± .030 .XX ± .015 .XXX ± .005			
DRAWN	CHECKED	APPROVED			
JW	10/10/2011	MSS	10/11/2011	MSS	10/11/2011

WD, G208-240 AC 1PH 640/740/840

ALL DIMENSIONS ARE IN INCHES UNLESS OTHERWISE SPECIFIED. DO NOT SCALE DRAWING	PART NO	SHT	REV
	59324	1 OF 1	N

SECTION 5 - WIRING DIAGRAM



Middleby-Marshall Model Number G208-240 Volt 50/60 Hz, 1 Phase

NOTES

NOTES

WARNING

Improper installation, adjustment, alteration, service or maintenance can cause property damage, injury or death. Read the installation, operating and maintenance instructions thoroughly before installing or servicing this equipment.

NOTICE

During the warranty period, ALL parts replacement and servicing should be performed by your Middleby Marshall Authorized Service Agent. Service that is performed by parties other than your Middleby Marshall Authorized Service Agent may void your warranty.

NOTICE

Using any parts other than genuine Middleby Marshall factory manufactured parts relieves the manufacturer of all warranty and liability.

NOTICE

Middleby Marshall reserves the right to change specifications at any time.

CFESA

Commercial Food Equipment Service Association

Middleby is proud to support the Commercial Food Equipment Service Association (CFESA). We recognize and applaud CFESA's ongoing efforts to improve the quality of technical service in the industry.

Middleby Cooking Systems Group • 1400 Toastmaster Drive • Elgin, IL 60120 • USA • (847)741-3300 • FAX (847) 429-7508

www.middleby-marshall.com

www.middleby.com

