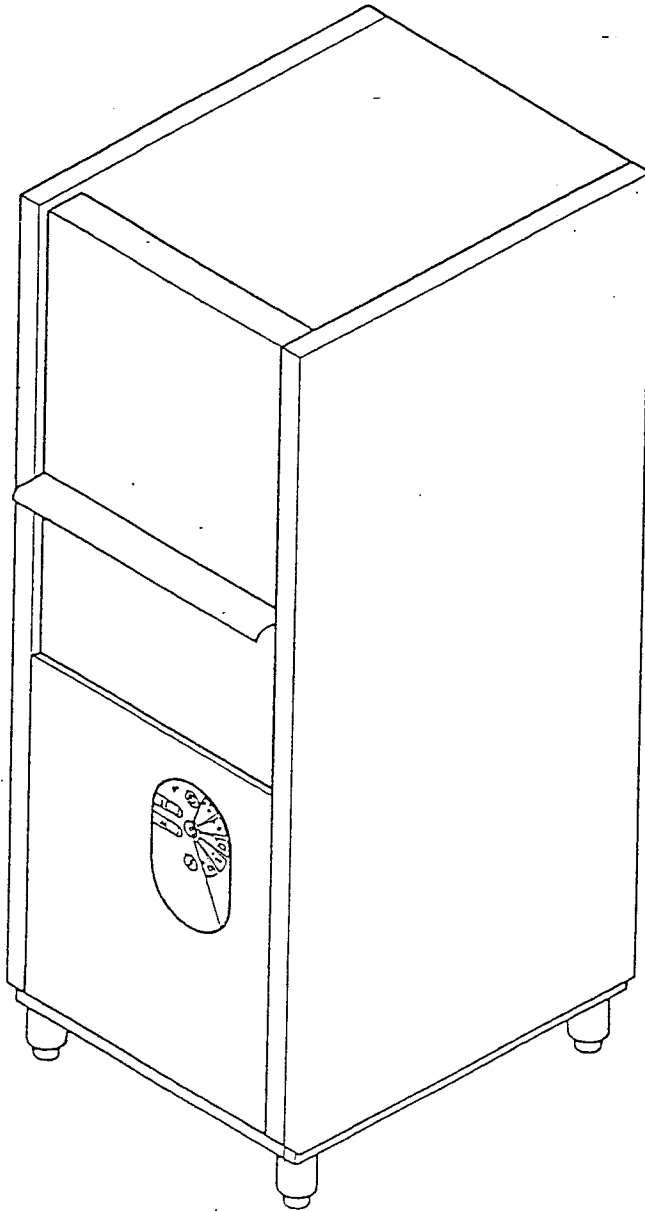
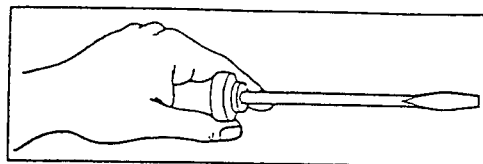


HOBART



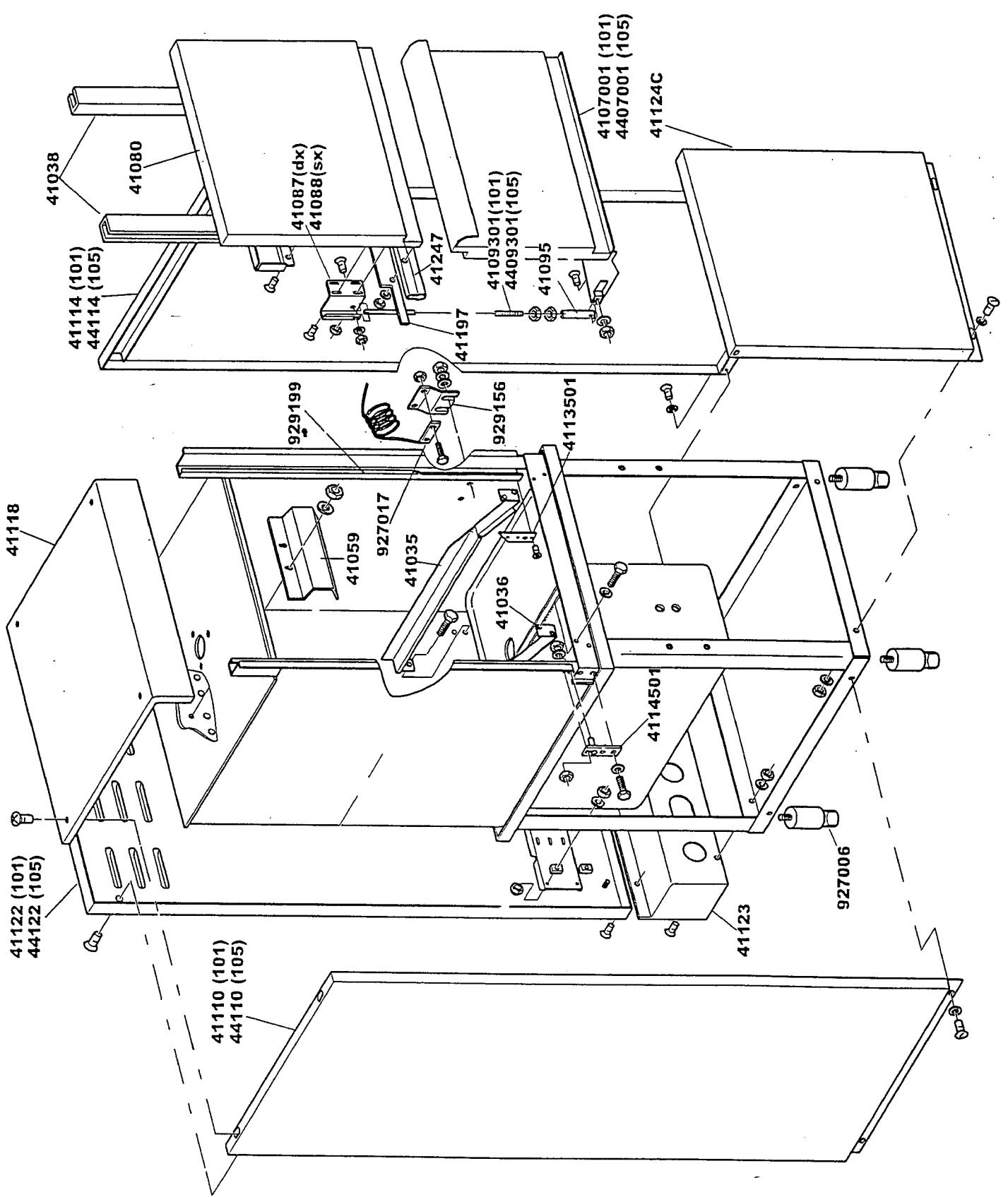
MBD-S 101

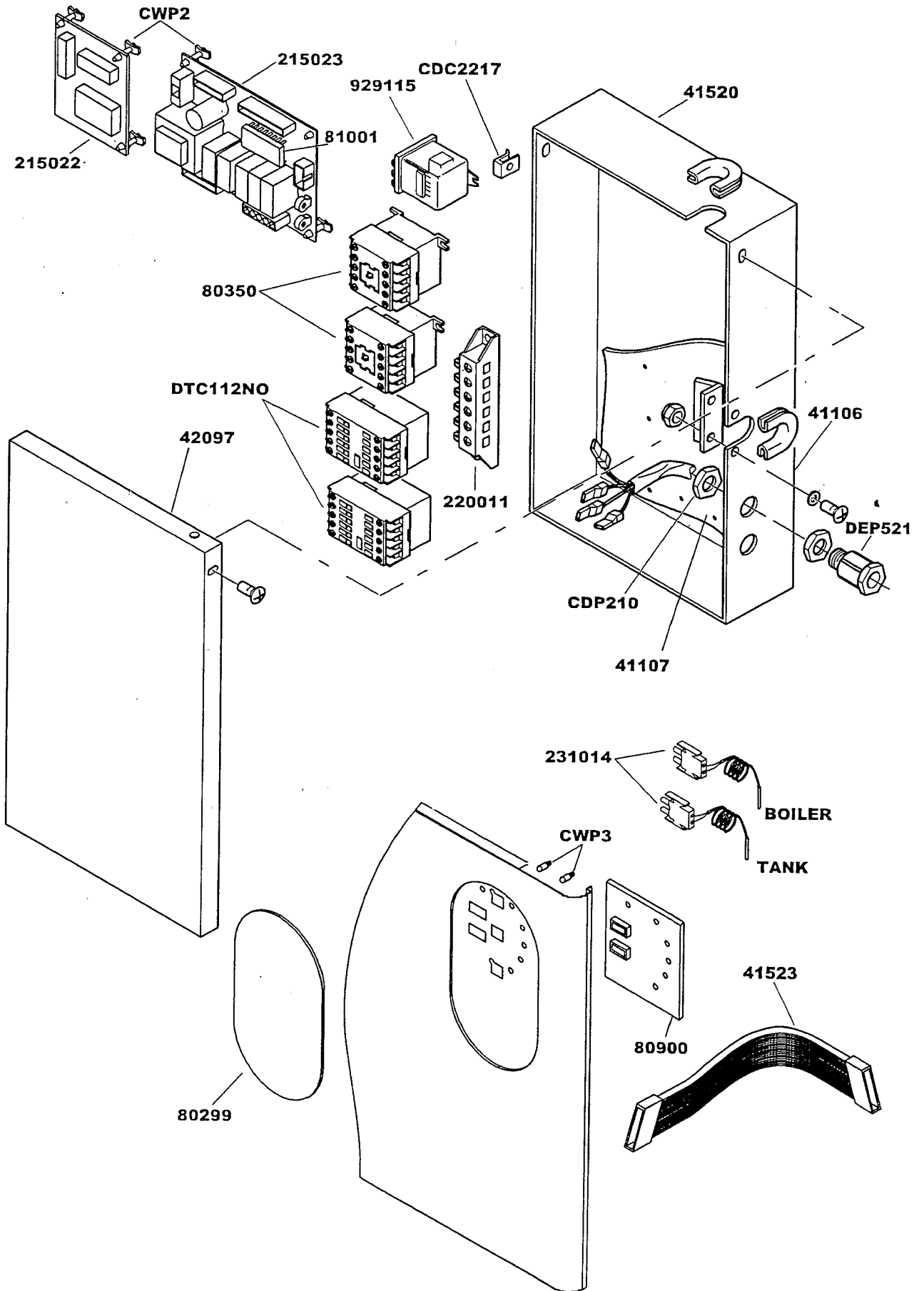


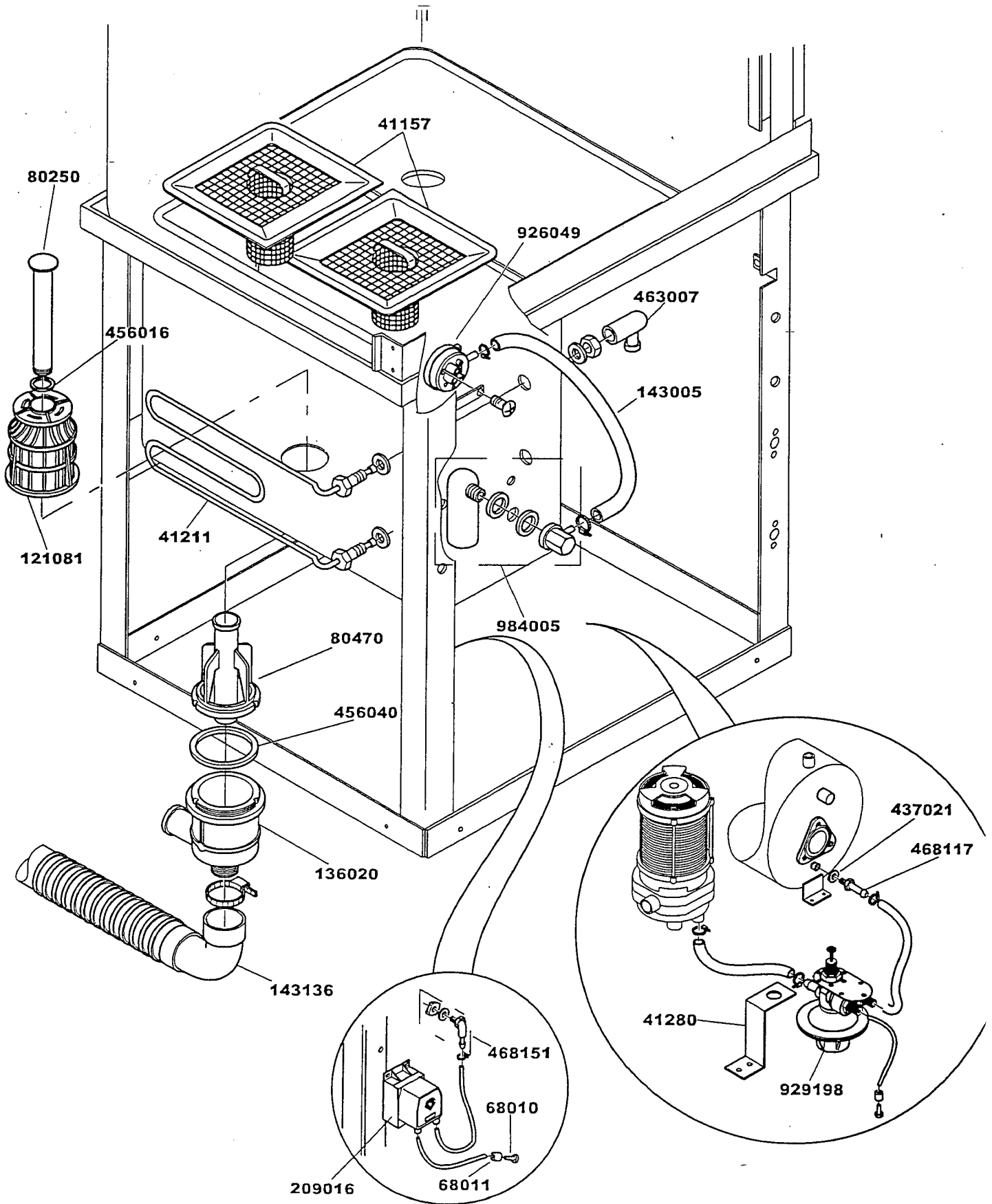
CATALOGUE PIECES DETACHEES

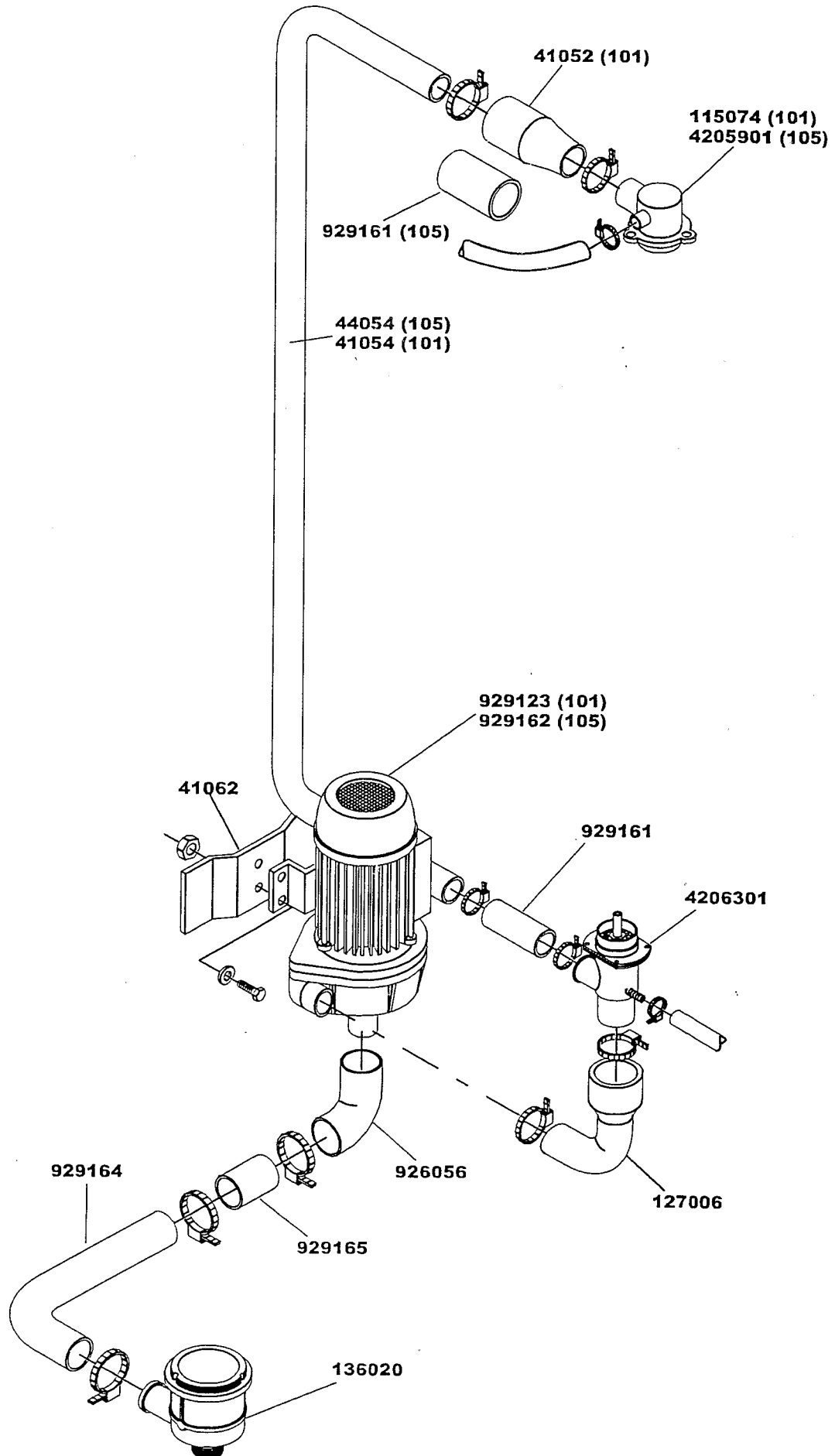
INDEX

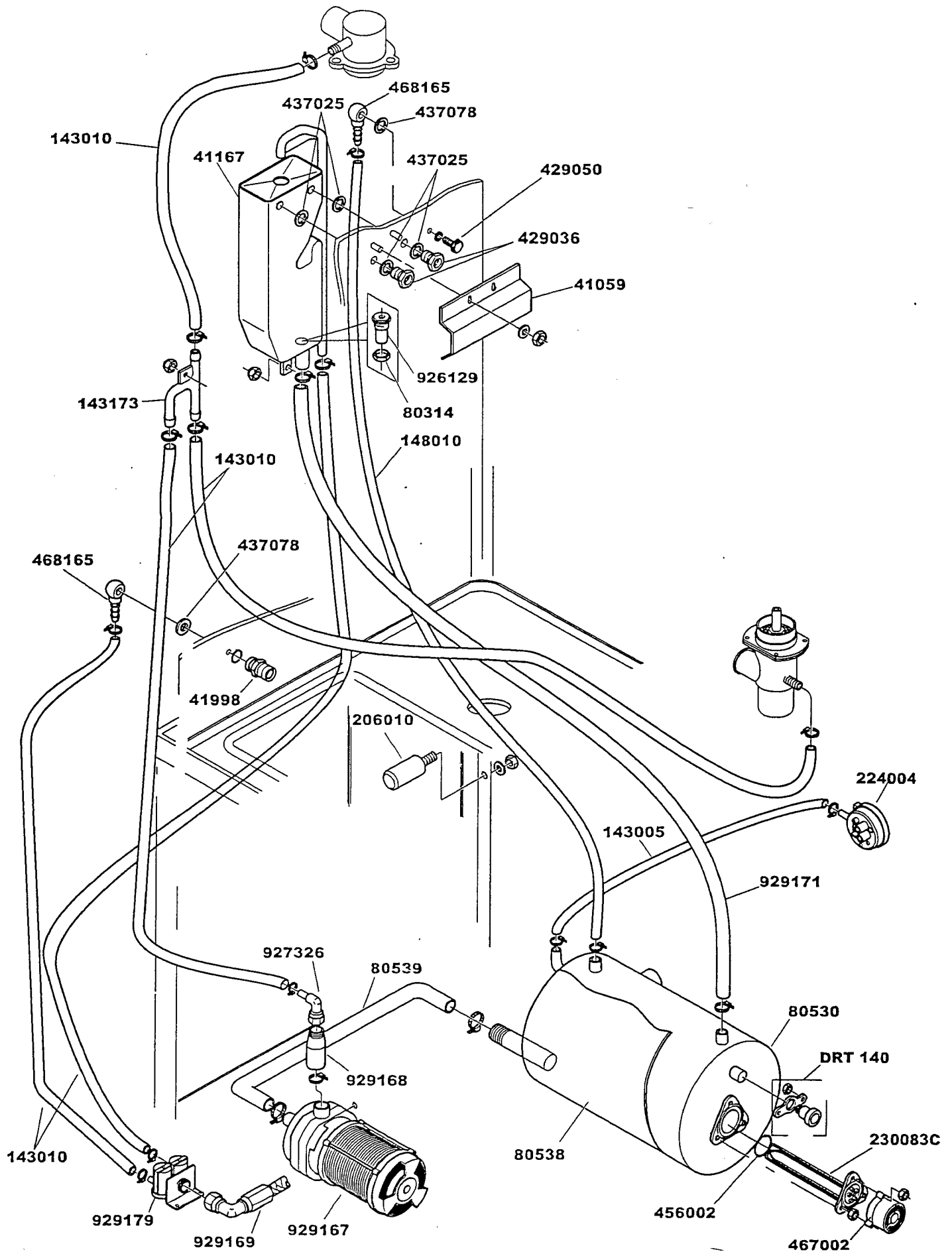
| | |
|---------|---|
| Page 1 | : habillage inox |
| Page 2 | : implantation des composants electriques |
| Page 3 | : composants du bac de lavage |
| Page 4 | : groupe moto-pompe de lavage |
| Page 5 | : Circuit alimentation eau |
| Page 6 | : Tourniquets de lavage et rinçage |
| Page 6A | : Idem |
| Page 7 | : Pompe de lavage |
| Page 7A | : idem |
| Page 8 | : pompe de rinçage |

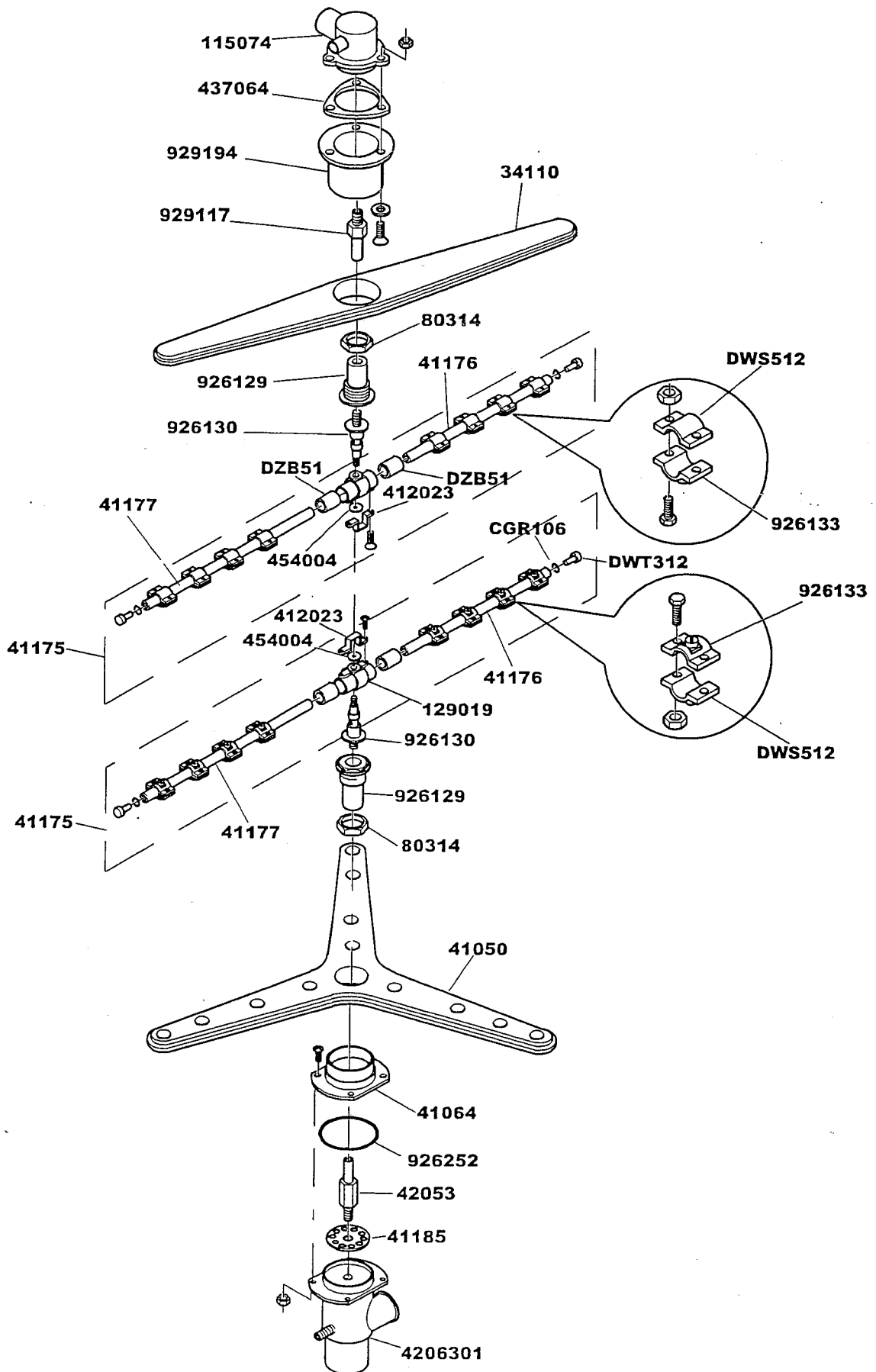


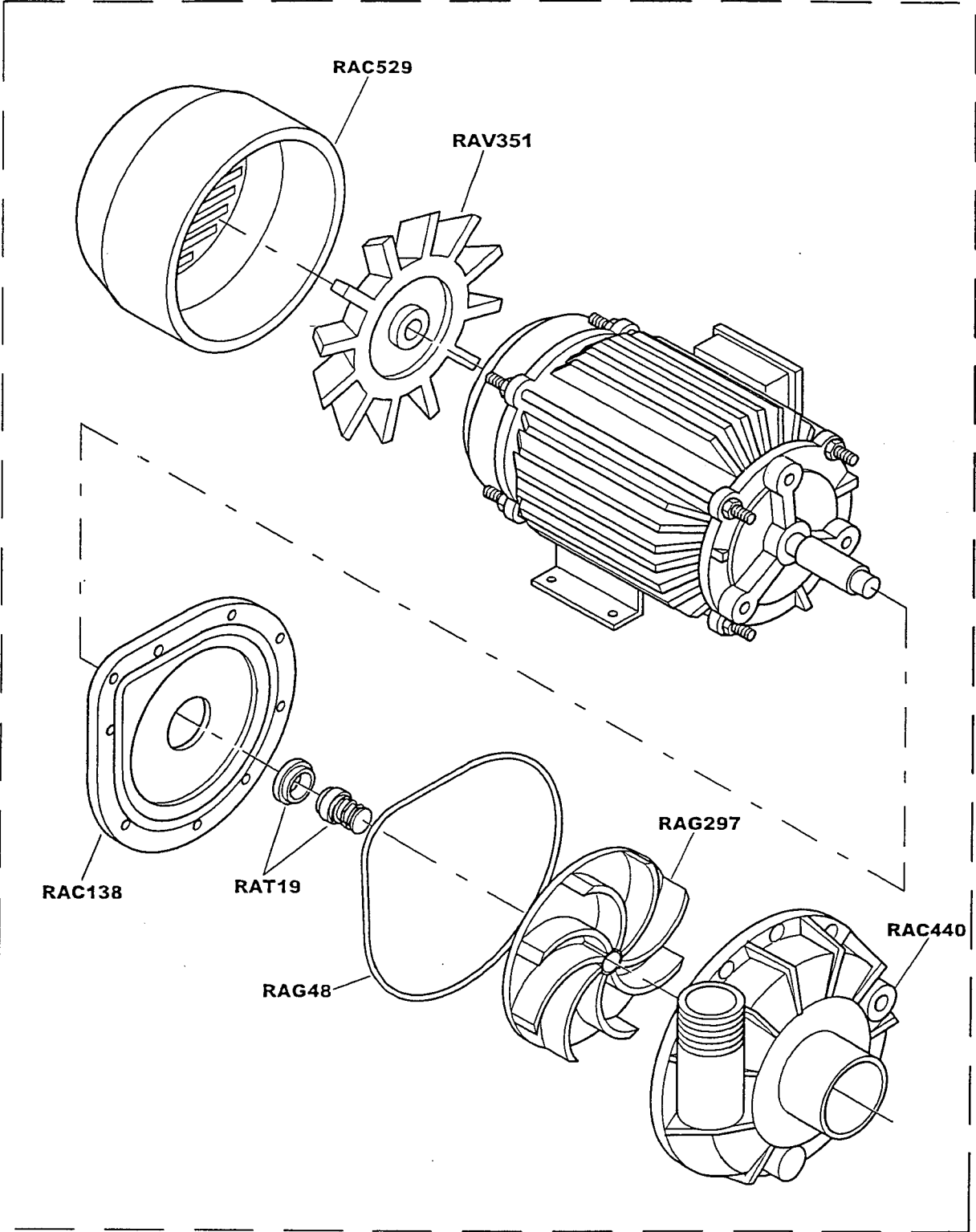




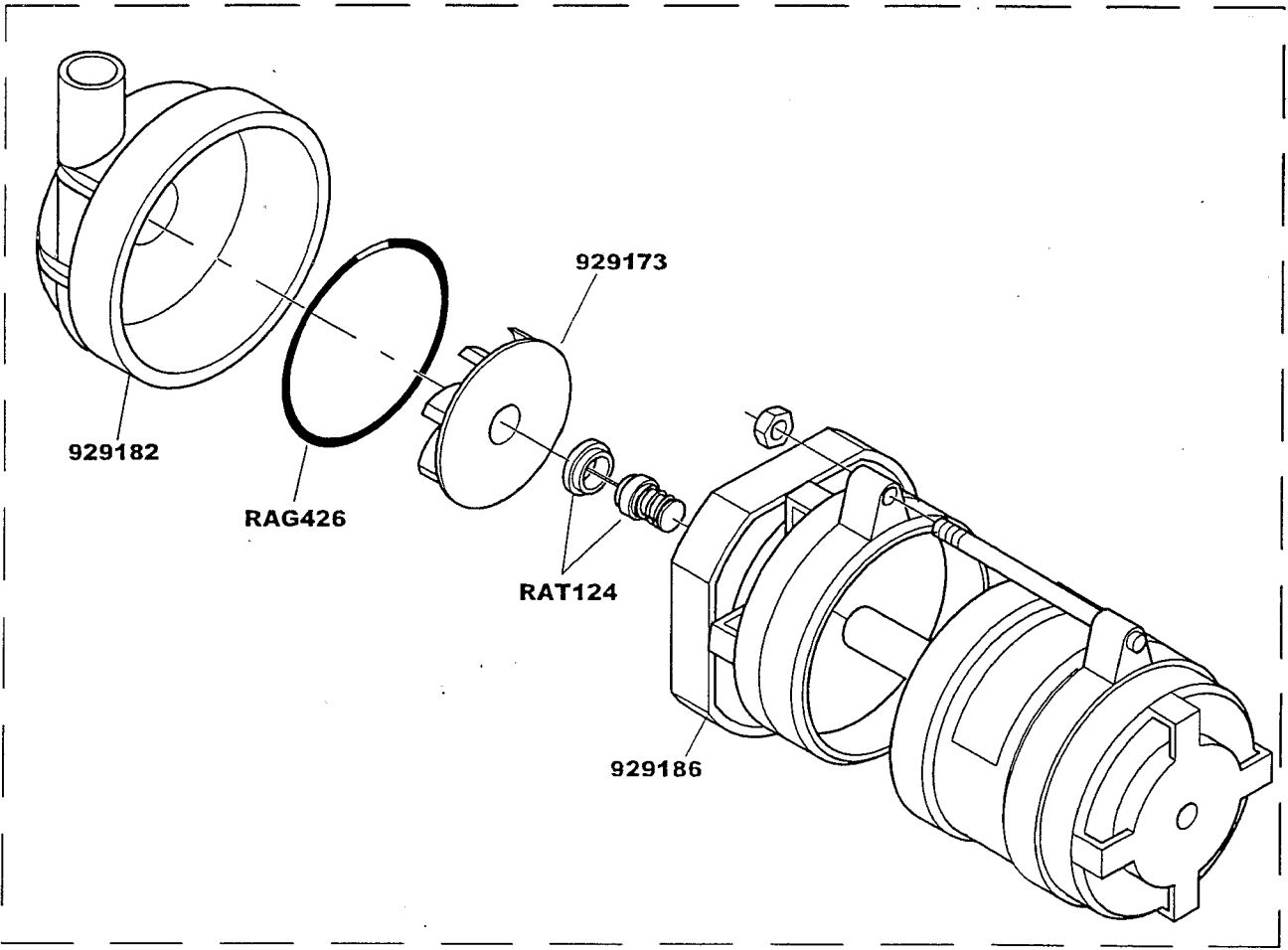




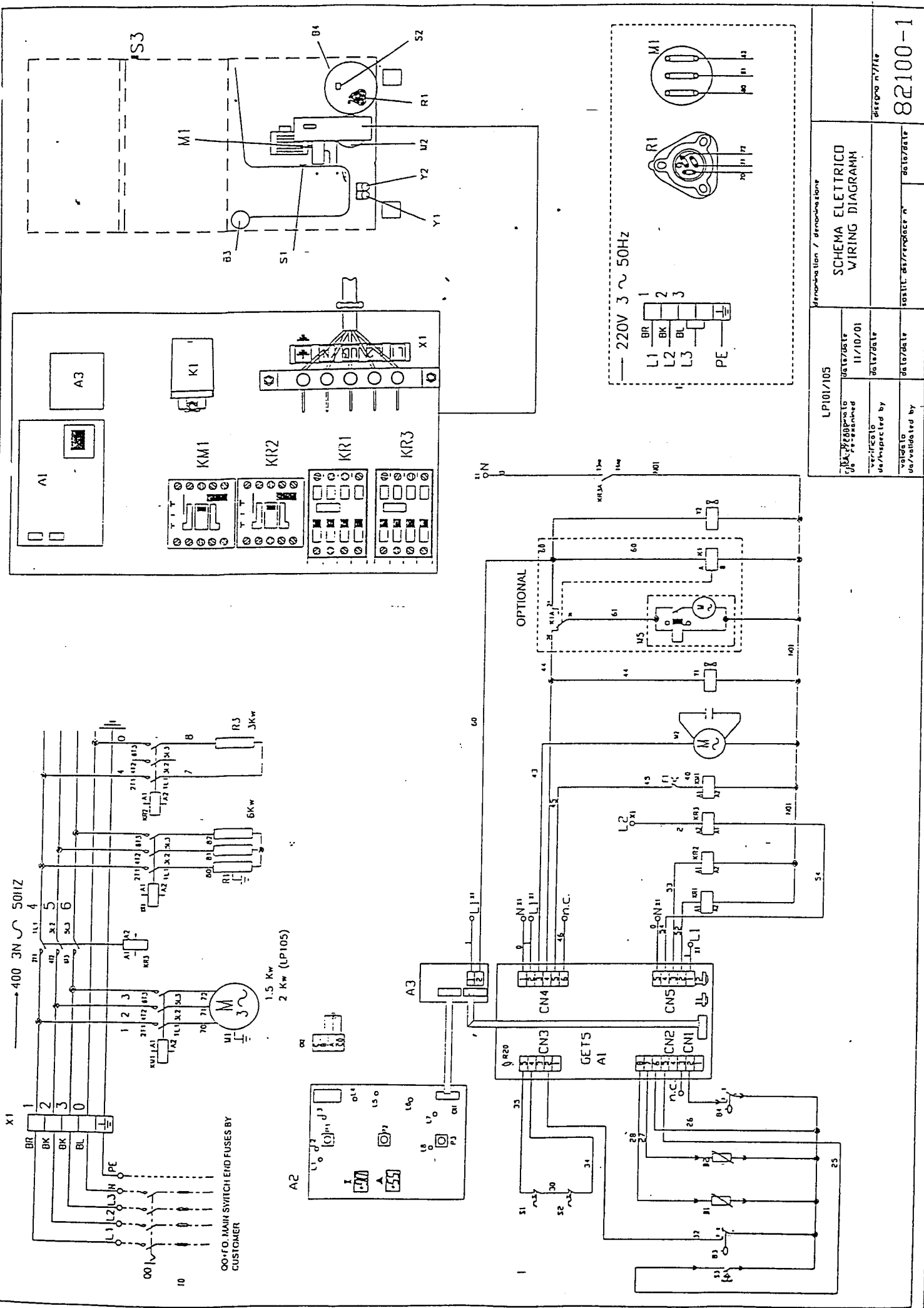




929123



929167



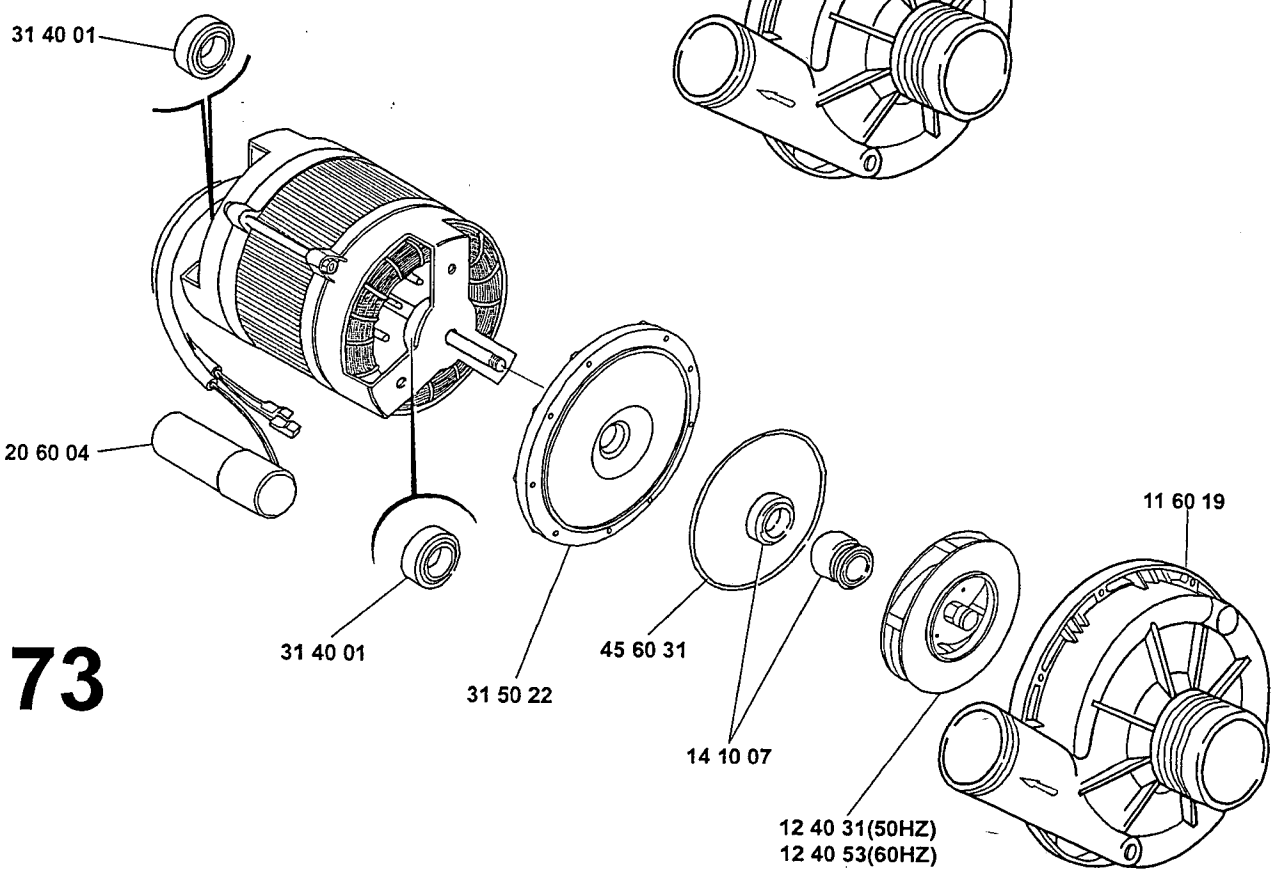
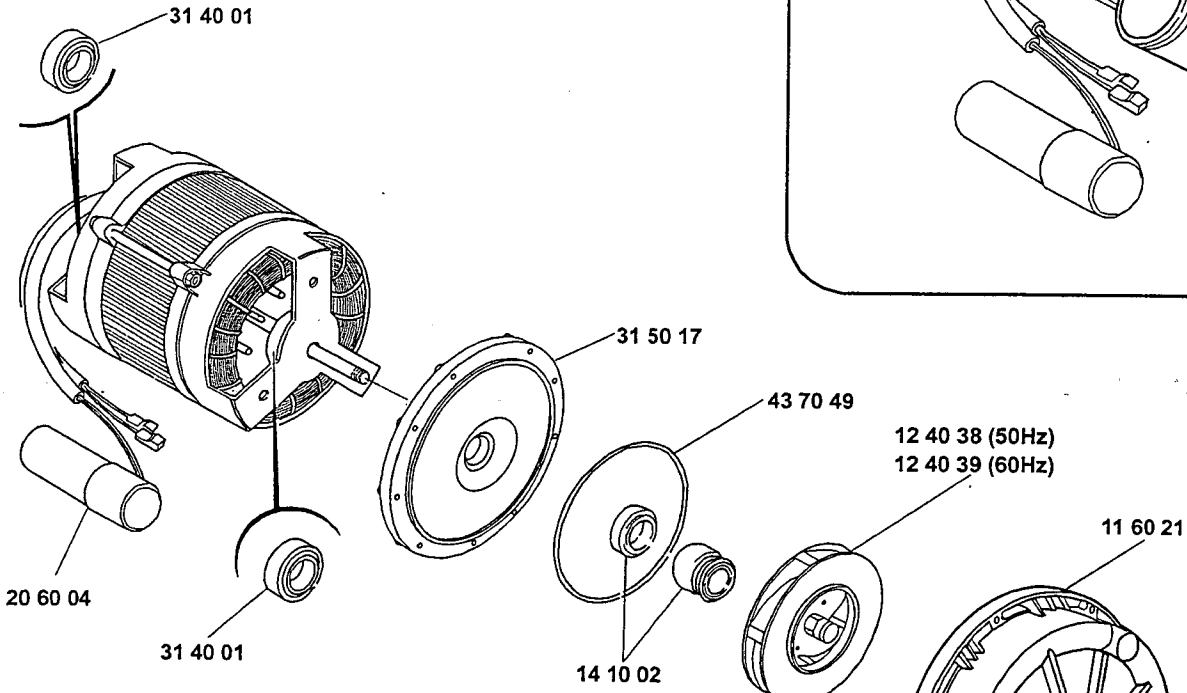
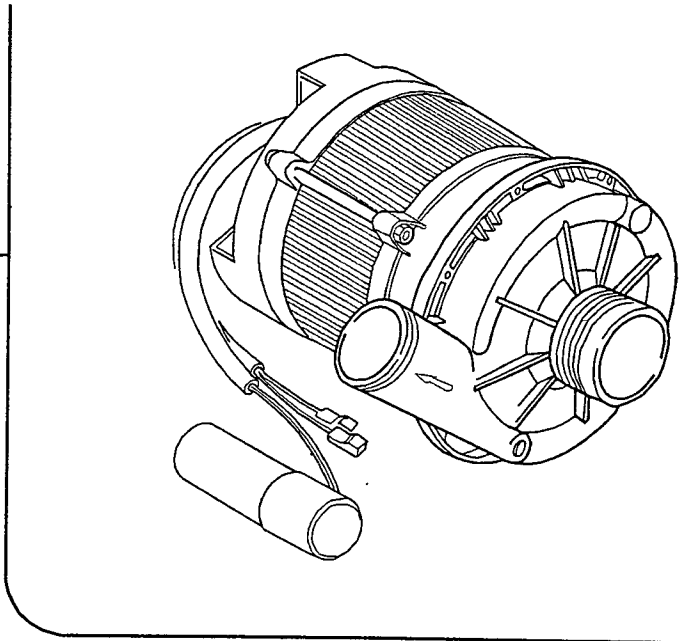
| | | | |
|------------------------------------|-----------|-----------------|-----------|
| LP101/105 | | Revision 7 | |
| Disapproved by | Date/date | Approved by | Date/date |
| Checked by | 11/10/01 | Approved by | Date/date |
| Designed by | Date/date | Approved by | Date/date |
| Validated by | Date/date | Approved by | Date/date |
| SCHEMA ELETTRICO WIRING DIAGRAM | | Disegno n°/file | |
| | | 82100-1 | |

| SIMBOLO | DESCRIZIONI | DESCRIPTIONS | BESCHREIBUNGEN |
|---------|---|--|----------------|
| A1/43 | SCHEDA CONTROLLO ELETTRONICA ELECTRONIC CONTROL UNIT | FICHE DE CONTROLEELECTRONIQUE ELEKTRONISCHE BEDIENUNGSKARTE | |
| A2 | PANNELLO COMANDI CONTROL PANEL | TABEAU DE COMMANDES BEDIENUNGSPANEEL | |
| B1 | SONDA RESISTENZA VASCA PROBE TANK HEATER | THERMOSTAT RESISTENCE DE CUVE THANKHEIZUNG THERMOSTAT | |
| B2 | SONDA RESISTENZA BOILER BOOSTER HEATER THERMOSTAT | THERMOSTAT RESISTANCE BOYLER BOILERHEIZUNG -THERMOSTAT | |
| B3 | PRESSOSTATO LIVELLO VASCA TANK PRESSURE SWITCH | PRESSOSTAT NIVEAU CUVE DRUCKSCHALTER TANK-NIVEAUREGLER | |
| B4 | PRESSOSTATO BOILER BOOSTER PRESSURE SWITCH | INT. A ELOTEUR SCWINNERSCHALTER | |
| F1 | PROTEZIONE TERMICA ELETTRONICA EL. WASH PUMP THERMAL PROTECTION | PROT. TERMIQUE MOTEUR EL. POMPE THERMISCHER MOTORPUMPESCHUTZ | |
| KM1 | TELERUTTORE ELETTRONICA LAVAGGIO WASH ELECTROPUMP REMOTE-CONTROL | TELEREUPTEUR ELECTROPOMPE DE LAVAGE FERNSCHALTER DER WASCH-ELEKTROPUMPE | |
| KR1 | TELERUTTORE RESISTENZA BOILER BOOSTER HEATER REMOTE -CONTROL | TELERUPTEUR RESISTANCE SURCHAUFFEUR FERNSCHALTER DER BOILER-HEIZUNG | |
| KR2 | TELERUTTORE RESISTENZA VASCA RELAY FOR TANK HEATER ELEMENT. | RELAIS RESISTENCE DE CUVE NACHSPUELHEIZUNGSRELAIS. | |
| KR3 | TELERUTTORE SICUREZZA SAFETY HEATER REMOTE-CONTROL | TELERUPTEUR DE SECURITE SURCHAUFFEUR SICHERHEITS-FERNSCHALTER DES BOILERS | |
| M1 | ELETTRONICA LAVAGGIO WASH MOTOR PUMP | ELECTROPOMPE LAVAGE WASCH-MOTORPUMPE | |
| M2 | ELETTRONICA AUMENTO PRESSIONE RINSE BOOSTER PUMP | ELECTROPOMPE SURPRESSEUSE DE RINCAGE DRUCKSTEIGERUNGSPUMPE | |
| M5 | MOTORE DOSATORE DETERGENTE RINSE AID DISPENSER MOTOR | MOTEUR DOSEUR TENSIOACTIF NACHSPÜLUNGSMITTELDOSIERGERÄT-MOTOR | |
| P1 | PULSANTE PARTENZA AUTOMATICA AUTOMATIC START PUSH BOTTON | INTERREPTEUR DEMARRAGE AUTOMATIC AUTOMATISCHER START WAEINSCHALTER | |
| P2 | PULSANTE SELETORE CICLO CYCLE COMMUTATOR | SELECTEUR CYCLE WAEHLSCHALTER FUER WASCHVORGANGSDAUER | |
| P3 | PULSANTE LINEA MAIN SWITCH | INTERRUPTEUR DE LIGNE NETZSCHALTER | |
| R1 | RESISTENZA BOILER BOOSTER HEATER HEATING ELEMENT | RESISTANCE SURCHAUFFEUR BOILERHEIZUNG | |
| R3 | RESISTENZA VASCA WASH TANK HEATING ELEMENT | RESISTANCE CUVE DE LAVAGE WASCHTANKHEIZUNG | |
| S1 | TERMOSTATO SICUREZZA BOILER SAFETY BOOSTER HEATER THERMOSTAT | THERMOSTAT DE SECURITE DU BOYLER BOILER-SICHERHEITS-THERMOSTAT | |
| S2 | TERMOSTATO SICUREZZA VASCA TANK SAFETY HEATER THERMOSTAT | THERMOSTAT SECURITE CUVE SICHERHEITS- TANKTHERMOSTAT | |
| S3 | MICROINTERRUTTORE MAGNETICO MAGNETIC MICROSWITCH | MICROINTERRUPTEUR MAGNETIQUE MAGNETISCHER MIKROSWALTER | |
| Y1 | ELETTRONICA RIEMPIMENTO VASCA TANK FILLING ELECTRIC VALVE | ELECTROVALVE REMPLISSAGE CUVE SOLENOIDVENTIL DER TANKFÜLLUNG | |
| Y2 | ELETTRONICA RIEMPIMENTO BOILER BOILER FILLING ELECTRIC VALVE | ELECTROVALVE REMPLISSAGE SURCHAUFFEUR SOLENOIDVENTIL DER BOILERFÜLLUNG | |
| Z | FILTRO ANTIDISTURBO RADIOINTERFERANCE FILTER | FILTRES ANTIPARASITER STORSCHUTZEINRICHTUNG | |

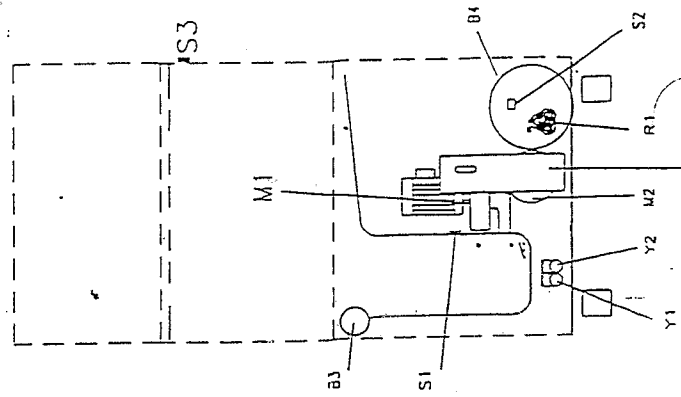
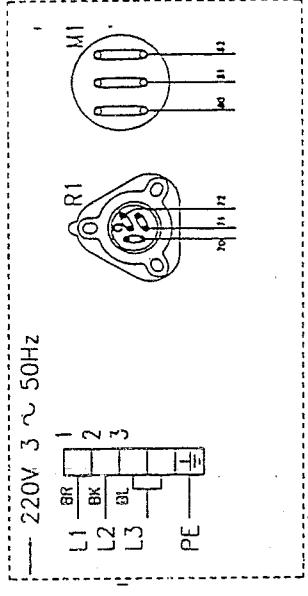
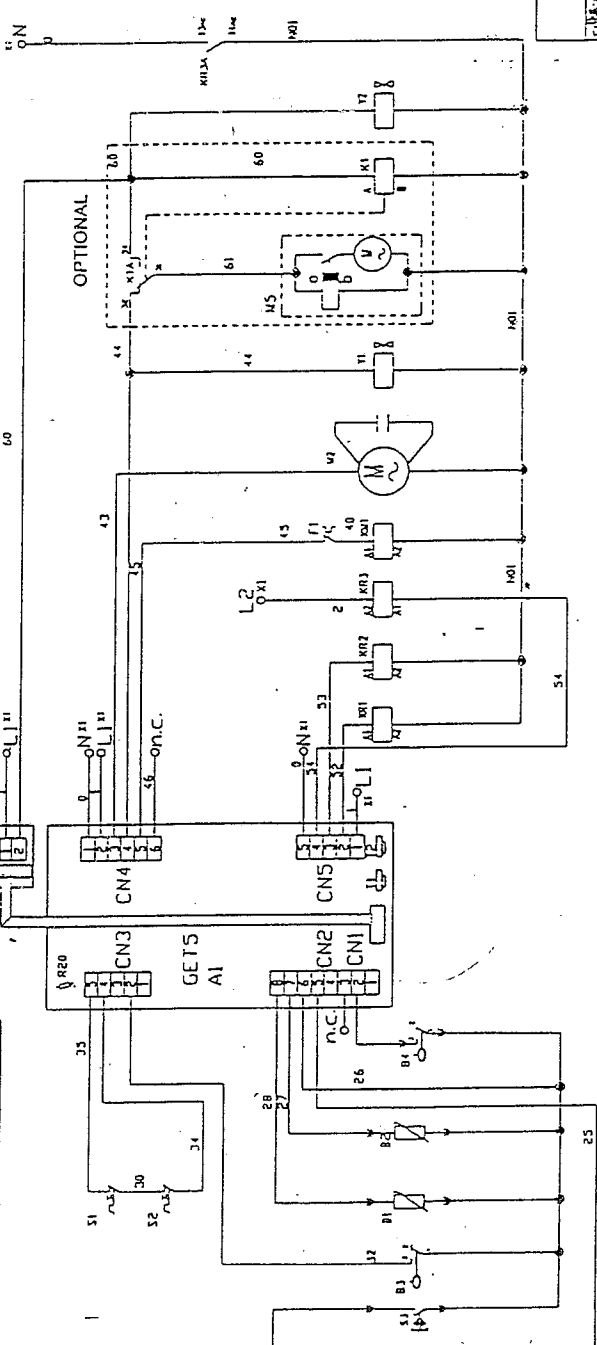
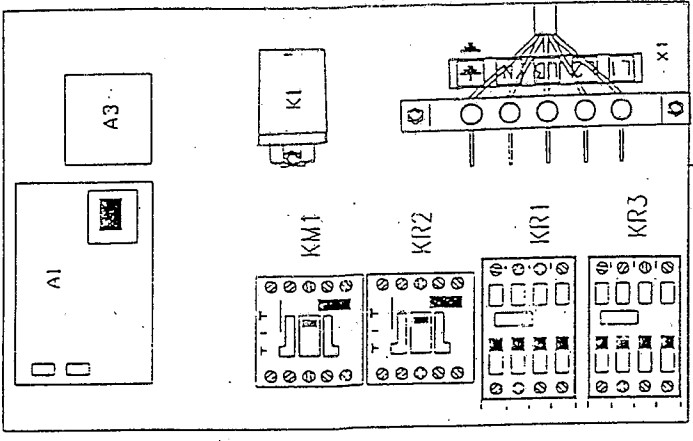
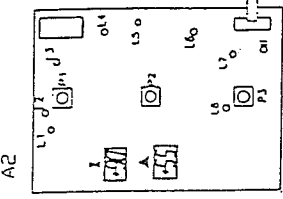
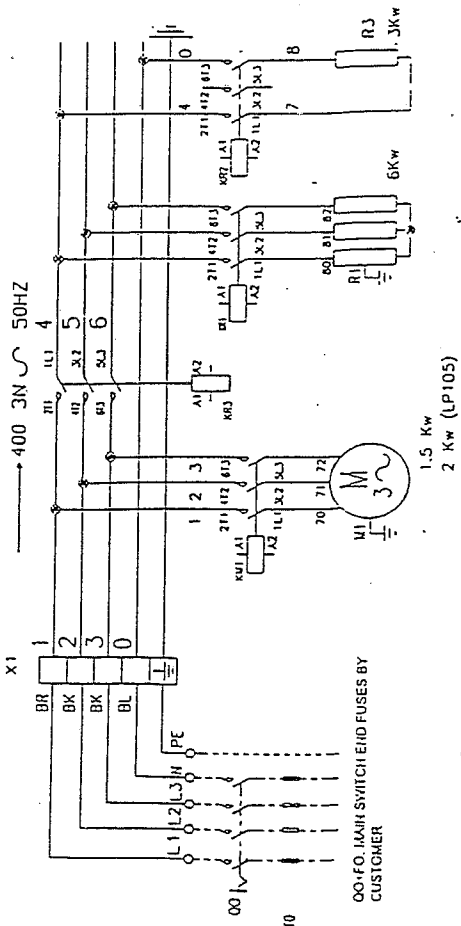
B. 237

13 01 09 (230V- 50Hz)

13 01 19 (220V- 60Hz)



T. 173



| | | | |
|-------------------------|-------------|---------------------------------|--|
| LP101/105 | | denominazione / denominazione | |
| disegnato / drawn by | data / date | SCHEMA ELETTRICO WIRING DIAGRAM | |
| verificato / checked by | data / date | 11/10/01 | |
| validato / validated by | data / date | sostit. dis/replace n° | |
| | | data / date | |
| | | disegno n°/fig | |
| | | 82100-1 | |

| SIMBOLO | DESCRIZIONI | DESCRIPTIONS | BESCHREIBUNGEN |
|---------|--|--|----------------|
| A1/43 | SCHEDA CONTROLLO ELETTRONICA ELECTRONIC CONTROL UNIT | FICHE DE CONTROLÉELECTRONIQUE ELEKTRONISCHE BEDIENUNGSKARTE | |
| A2 | PANNELLO COMANDI CONTROL PANEL | TABEAU DE COMMANDES BEDIENUNGSPANEEL | |
| B1 | SONDA RESISTENZA VASCA PROBE TANK HEATER | THERMOSTAT RESISTENCE DE CUVE TANKHEIZUNG/THERMOSTAT | |
| B2 | SONDA RESISTENZA BOILER BOOSTER HEATER THERMOSTAT | THERMOSTAT RESISTANCE BOYLER BOILERHEIZUNG -THERMOSTAT | |
| B3 | PRESSOSTATO LIVELLO VASCA TANK PRESSURE SWITCH | PRESSOSTAT NIVEAU CUVE DRUCKSCHALTER TANK-NIVEAUREGLER | |
| B4 | PRESSOSTATO BOILER BOOSTER PRESSURE SWITCH | INT. A ELITEUR SCWINNERSCHALTER | |
| F1 | PROTEZIONE TERMICA ELETTROPOMPA EL. WASH PUMP THERMAL PROTECTION | PROT. TERMIQUE MOTEUR EL. POMPE THERMISCHER MOTORPUMPESCHUTZ | |
| KM1 | TELERUTTORE ELETTROPOMPA LAVAGGIO WASH ELECTROPUMP REMOTE-CONTROL | TELEREUPTEUR ELECTROPOMPE DE LAVAGE FERNSCHALTER DER WASCH-ELEKTROPUMPE | |
| KR1 | TELERUTTORE RESISTENZA BOILER BOOSTER HEATER REMOTE -CONTROL | TELERUPTEUR RESISTANCE SURCHAUFFEUR FERNSCHALTER DER BOILER-HEIZUNG | |
| KR2 | TELERUTTORE RESISTENZA VASCA RELAY FOR TANK HEATER ELEMENT. | RELAIS RESISTENCE DE CUVE NACHSPUELHEIZUNGSRELAIS. | |
| KR3 | TELERUTTORE SICUREZZA SAFETY HEATER REMOTE-CONTROL | TELERUPTEUR DE SECURITE SURCHAUFFEUR SICHERHEITS-FERNSCHALTER DES BOILERS | |
| M1 | ELETTROPOMPA LAVAGGIO WASH MOTOR PUMP | ELECTROPOMPE LAVAGE WASCH-MOTORPUMPE | |
| M2 | ELETTROPOMPA AUMENTO PRESSIONE RINSE BOOSTER PUMP | ELECTROPOMPE SURPRESSEUSE DE RINCAGE DRUCKSTEIGERUNGSPUMPE | |
| M5 | MOTORE DOSATORE DETERSIVO RINSE AID DISPENSER MOTOR | MOTEUR DOSEUR TENSIOACTIF NACHSPÜLUNGSMITTELDOSIERGERÄT-MOTOR | |
| P1 | PULSANTE PARTENZA AUTOMATICA AUTOMATIC START PUSH BOTTON | INTERREPTEUR DEMARRAGE AUTOMATIC AUTOMATISCHER START WAEINSCHALTER | |
| P2 | PULSANTE SELETORE CICLO CYCLE COMMUTATOR | SELECTEUR CYCLE WAEHLSCHALTER FUER WASCHVORGANGSDAUER | |
| P3 | PULSANTE LINEA MAIN SWITCH | INTERRUPTEUR DE LIGNE NETZSCHALTER | |
| R1 | RESISTENZA BOILER BOOSTER HEATER HEATING ELEMENT | RESISTANCE SURCHAUFFEUR BOILERHEIZUNG | |
| R3 | RESISTENZA VASCA WASH TANK HEATING ELEMENT | RESISTANCE CUVE DE LAVAGE WASHTANKHEIZUNG | |
| S1 | TERMOSTATO SICUREZZA BOILER SAFETY BOOSTER HEATER THERMOSTAT | THERMOSTAT DE SECURITE DU BOYLER BOILER-SICHERHEITS-THERMOSTAT | |
| S2 | TERMOSTATO SICUREZZA VASCA TANK SAFETY HEATER THERMOSTAT | THERMOSTAT SECURITE CUVE SICHERHEITS- TANKTHERMOSTAT | |
| S3 | MICROINTERRUTTORE MAGNETICO MAGNETIC MICROSWITCH | MICROINTERRUPTEUR MAGNETIQUE MAGNETISCHER MIKROSCHALTER | |
| Y1 | ELETTROVALVOLA RIEMPIMENTO VASCA TANK FILLING ELECTRIC VALVE | ELECTROVALVE REMPLISSAGE CUVE SOLENOIDVENTIL DER TANKFÜLLUNG | |
| Y2 | ELETTROVALVOLA RIEMPIMENTO BOILER BOILER FILLING ELECTRIC VALVE | ELECTROVALVE REMPLISSAGE SURCHAUFFEUR SOLENOIDVENTIL DER BOILERFÜLLUNG | |
| Z | FILTRO ANTIDISTURBO RADIOINTERFERANCE FILTER | FILTRES ANTIPARASITER STORSCHUTZEINRICHTUNG | |

LP101/105

N° 82100D