

Vertical Contact Toaster | VCTM-2



With its small footprint, the VCTM-2 is a perfect fit for any operation where high-quality bun toasting is the objective.

The VCTM-2 also features a variable speed motor that provides operations with flexibility for future menu items and allows for light/dark adjustments. It toasts two buns simultaneously and features an individual heel and crown compression knobs that allow operations to easily adjust toast quality.

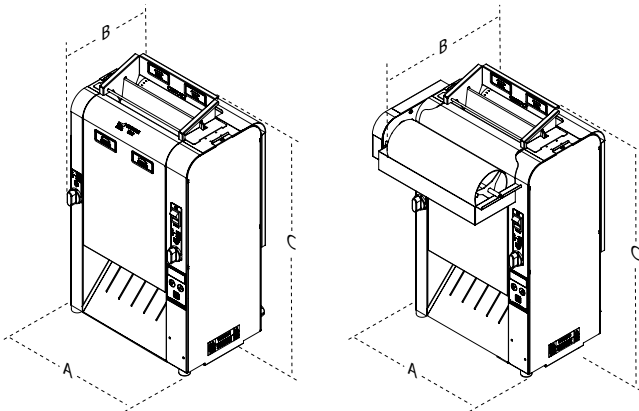
With a smaller footprint than the standard Vertical Contact Toaster, the VCTM-2 is a perfect fit for any operation where space is limited.

FEATURES

- Toasts two complete buns simultaneously for increased capacity.
- Variable speed motor provides operations with flexibility for future menu items and allows for light/dark adjustments.
- Compact footprint is approximately 30% smaller than the VCT-2000.
- Available with mechanical butter wheel to give buns a flavorful toast.
- Available with an auxiliary heater that warms all sides of buns.
- Individual heel and crown compression.
- Digital controller to adjust temperature.

Vertical Contact Toaster | VCTM-2

Dimensions



Model & Mfg. No.	Width (A)	Depth (B)	Height (C)
------------------	-----------	-----------	------------

VCTM-2

VCTM-2 9210960 9210959	14" (356 mm)	10 1/2" (268 mm)	25 1/2" (648 mm)
------------------------------	-----------------	---------------------	---------------------

VCTM-2 with Auxiliary Heater

VCTM-2 9210915 9210916	14" (356 mm)	10 1/2" (268 mm)	25 1/2" (648 mm)
------------------------------	-----------------	---------------------	---------------------

VCTM-2 with Auxiliary Heater and Butter Wheel

VCTM-2 9210913 9210914	15 1/4" (387 mm)	14 3/4" (375 mm)	25 1/2" (648 mm)
------------------------------	---------------------	---------------------	---------------------

Bun Specifications

Feeder Opening	Crowns		Feeder Opening	Heels	
	Min.	Max.		Min.	Max.

1 3/4" (44 mm)	13/16" (21 mm)	1 1/8" (29 mm)	1 1/2" (38 mm)	33/64" (13 mm)	53/64" (21 mm)
-------------------	-------------------	-------------------	-------------------	-------------------	-------------------

Electrical Ratings and Plug Configuration

Model & Mfg. No.	Volts	Watts	Hz.	Plug Description
------------------	-------	-------	-----	------------------

VCTM-2

VCTM-2 9210960	208-230	2100	50/60	NEMA 6-20P 20 Amp., 250 Volt
VCTM-2 9210959	208-230	2100	50/60	IEC-309 16 Amp., 220-250 Volt

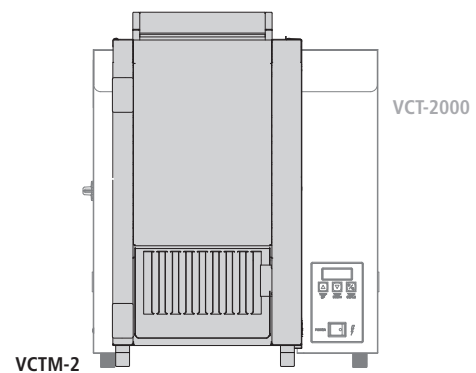
VCTM-2 with Auxiliary Heater

VCTM-2 9210915	208-230	3100	50/60	NEMA 6-20P 20 Amp., 250 Volt
VCTM-2 9210916	208-230	3100	50/60	IEC-309 16 Amp., 220-250 Volt

VCTM-2 with Auxiliary Heater and Butter Wheel

VCTM-2 9210913	208-230	3100	50/60	NEMA 6-20P 20 Amp., 250 Volt
VCTM-2 9210914	208-230	3100	50/60	IEC-309 16 Amp., 220-250 Volt

Size Comparison



With a footprint that is significantly smaller than the VCT-2000, the VCTM-2 can be easily integrated into any sized operation.

P/N 1020468 07/17